

ICBBI-42S/S



FEATURES

ACCESSORIES

Air Purification Cartridge

Egg Container

Accessories are available through an authorized dealer.
For local dealer information, visit subzero-wolf.com/locator.



HANDLE OPTIONS

PRO



TUBULAR



PRODUCT DETAILS

REFRIGERATOR

- 4 Adjustable glass shelves
- 1 High-humidity drawer with divider
- 2 Storage drawers with divider
- 3 Adjustable door shelves
- 2 Stationary door shelves
- Adjustable dairy compartment
- Air purification system

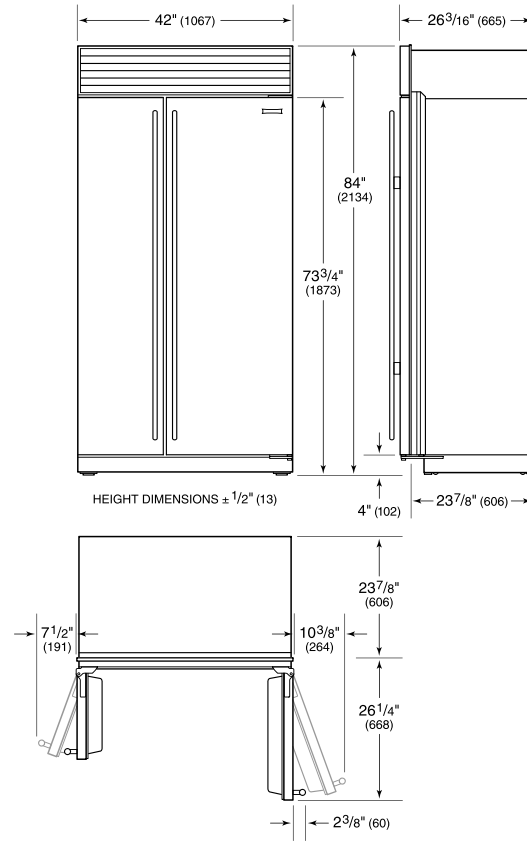
FREEZER

- Automatic ice maker
- 2 Adjustable wire shelves
- 3 Storage drawers
- 5 Adjustable door shelves
- Water filtration system

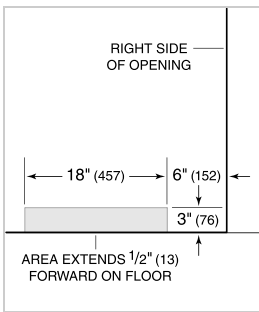
PRODUCT SPECIFICATIONS

Model	ICBBI-42S/S
Dimensions	1067mmW x 2134mmH x 610mmD
Refrigerator Capacity	433 L
Freezer Capacity	237 L
Weight	264 kg
Electrical Supply	220-240 VAC; 50/60 Hz
Electrical Service	≤ 4 A
Plumbing Supply	6.35 mm OD copper line, braided stainless steel or PEX tubing
Plumbing Pressure	2.4-8.3 bar
Receptacle	3-prong grounding-type

DIMENSIONS

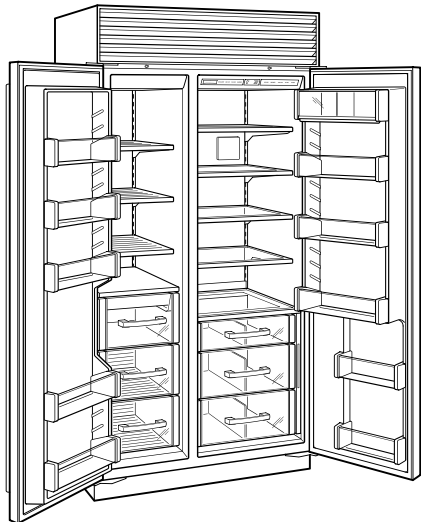


PLUMBING



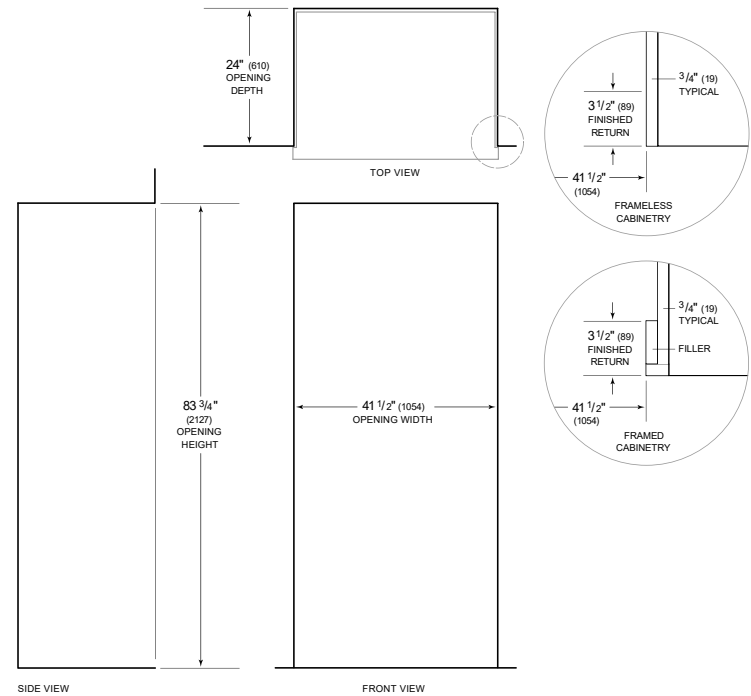
NOTE: Dimensions in parenthesis are in millimeters unless otherwise specified

INTERIOR VIEW



This illustration is intended for interior reference only and may not represent the exterior of the model being specified.

STANDARD INSTALLATION



NOTE: 3 1/2" (89) finished returns will be visible and should be finished to match cabinetry. Shaded line represents profile of unit.