

ICBBI-48S/O



## FEATURES

Overlay design accepts cabinetry panels of all kinds

## ACCESSORIES

Air Purification Cartridge

Egg Container

Flush inset panels in stainless steel with tubular or pro handles

Full-length standard and extended framed handles

Framed front panels in white or stainless steel

Custom front panel mounting kit

Stainless Steel Pro Handles

Stainless Steel Tubular Handles

Accessories are available through an authorized dealer.  
For local dealer information, visit [subzero-wolf.com/locator](https://subzero-wolf.com/locator).



## HANDLE ACCESSORIES

PRO



TUBULAR



## PRODUCT DETAILS

### REFRIGERATOR

- 4 Adjustable glass shelves
- 1 High-humidity drawer with divider
- 2 Storage drawers with divider
- 3 Adjustable door shelves
- 2 Stationary door shelves
- Adjustable dairy compartment
- Air purification system

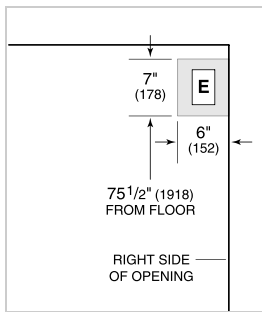
### FREEZER

- Automatic ice maker
- 3 Adjustable wire shelves
- 3 Storage drawers
- 5 Adjustable door shelves
- Water filtration system

**PRODUCT SPECIFICATIONS**

Model	ICBBI-48S/O
Dimensions	1219mmW x 2134mmH x 610mmD
Refrigerator Capacity	524 L
Freezer Capacity	276 L
Weight	286 kg
Electrical Supply	220-240 VAC; 50/60 Hz
Electrical Service	≤ 4 A
Plumbing Supply	6.35 mm OD copper line, braided stainless steel or PEX tubing
Plumbing Pressure	2.4-8.3 bar
Receptacle	3-prong grounding-type

**ELECTRICAL**



**PLUMBING**



**PANEL SPECIFICATIONS** For complete panels specifications including width/height, weight requirements, thickness requirements and offset details visit [subzero-wolf.com/builtinconfigurator](http://subzero-wolf.com/builtinconfigurator).

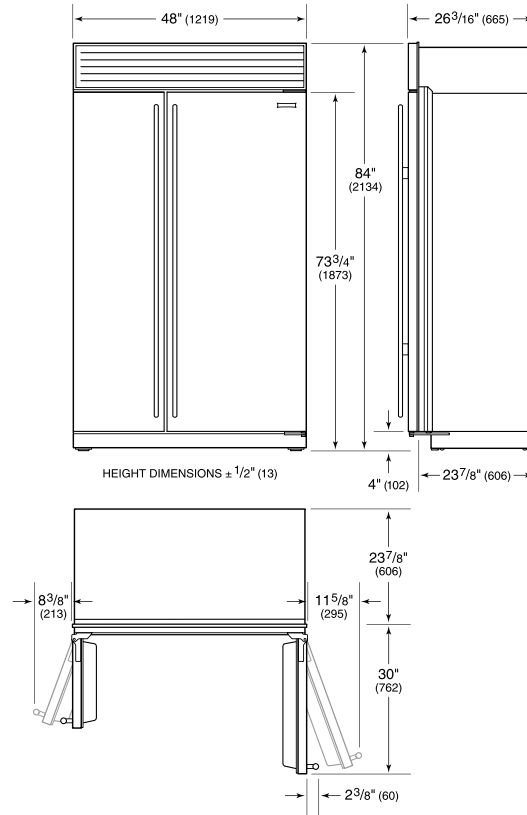
**NOTE:** Dimensions in parenthesis are in millimeters unless otherwise specified

**INTERIOR VIEW**

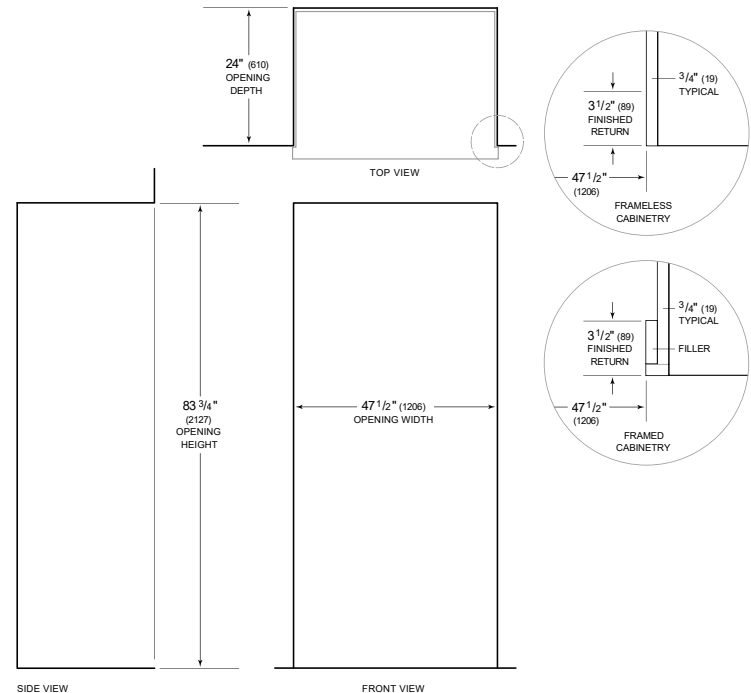


This illustration is intended for interior reference only and may not represent the exterior of the model being specified.

**DIMENSIONS**



**STANDARD INSTALLATION**



**NOTE:** 3 1/2" (89) finished returns will be visible and should be finished to match cabinetry. Shaded line represents profile of unit.