

**ICBCSO30CM/B/TH SHOWN WITH
OPTIONAL BLACK HANDLE ACCESSORY**

FEATURES

Rigorously tested

Exceptional support from our Customer Care team

Gourmet mode adjusts time, temperature, humidity for perfect results

Larger than similar units, can make multiple dishes at once

Program in when you want your dish to be ready

Easy-access water tank provides 90 minutes of steam cooking

Temperature probe cooks to ideal doneness and lets you know when it's ready

ACCESSORIES

826855

Descaling Solution

Full Extension Rack Guides

Perforated Pan 12 3/4" x 2 1/2" x 7"

Standard Oven Rack - Legacy

Black Handle

Accessories available through an authorized dealer.

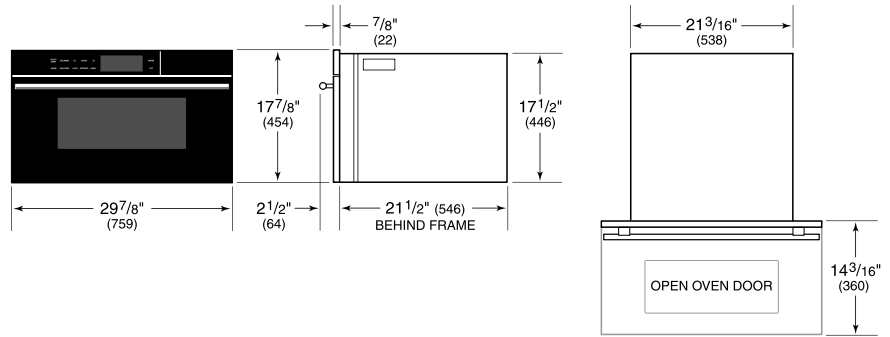
For local dealer information, visit subzero-wolf.com/locator.



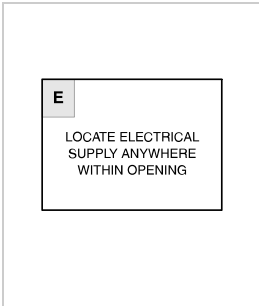
PRODUCT SPECIFICATIONS

Model	ICBCSO30CM/B/TH Shown with optional Black Handle Accessory
Dimensions	759mmW x 454mmH x 546mmD
Oven Interior Dimensions	17 7/8"W x 11"H x 15 3/4"D
Overall Capacity	1.8 cu. ft.
Door Clearance	14 3/16"
Weight	91 lbs
Electrical Supply	220-240 VAC, 50/60 Hz
Electrical Service	20 amp dedicated circuit
Power Cord Length	6 Feet

DIMENSIONS

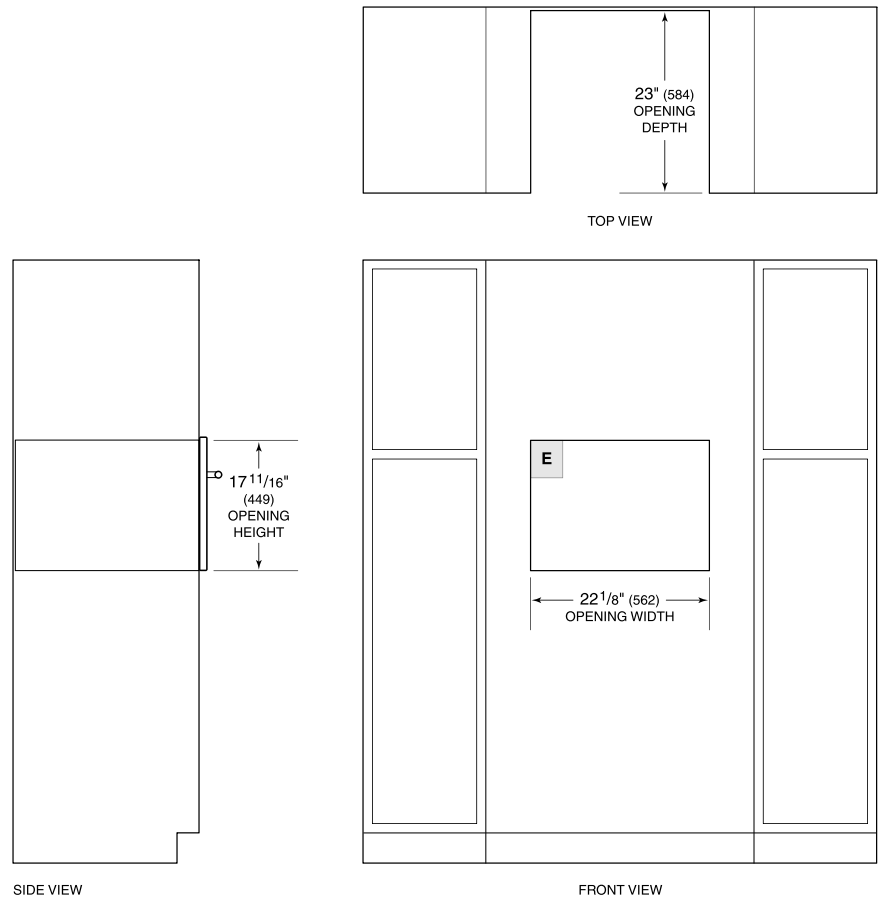


ELECTRICAL



NOTE: Dimensions in parenthesis are in millimeters unless otherwise specified

STANDARD INSTALLATION



NOTE: 24" (610) and 30" (762) models require the same opening dimensions.