

ICBSPO30CM/B/TH SHOWN WITH  
OPTIONAL BLACK HANDLE ACCESSORY

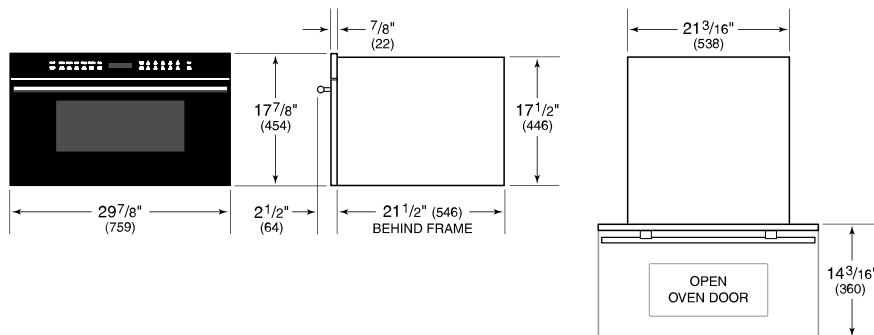
**FEATURES**



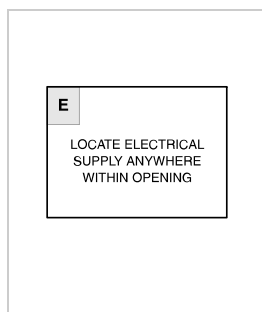
**PRODUCT SPECIFICATIONS**

Model	ICBSPO30CM/B/TH Shown with optional Black Handle Accessory
Dimensions	759mmW x 454mmH x 546mmD
Capacity	46 L
Door Clearance	360mm
Weight	36 kg
Electrical Supply	grounded, 230 VAC, 50 Hz
Electrical Service	15 amp dedicated circuit
Power Cord Length	1.8 Meters
Receptacle	grounding-type (earthed), IEC inlet

**DIMENSIONS**

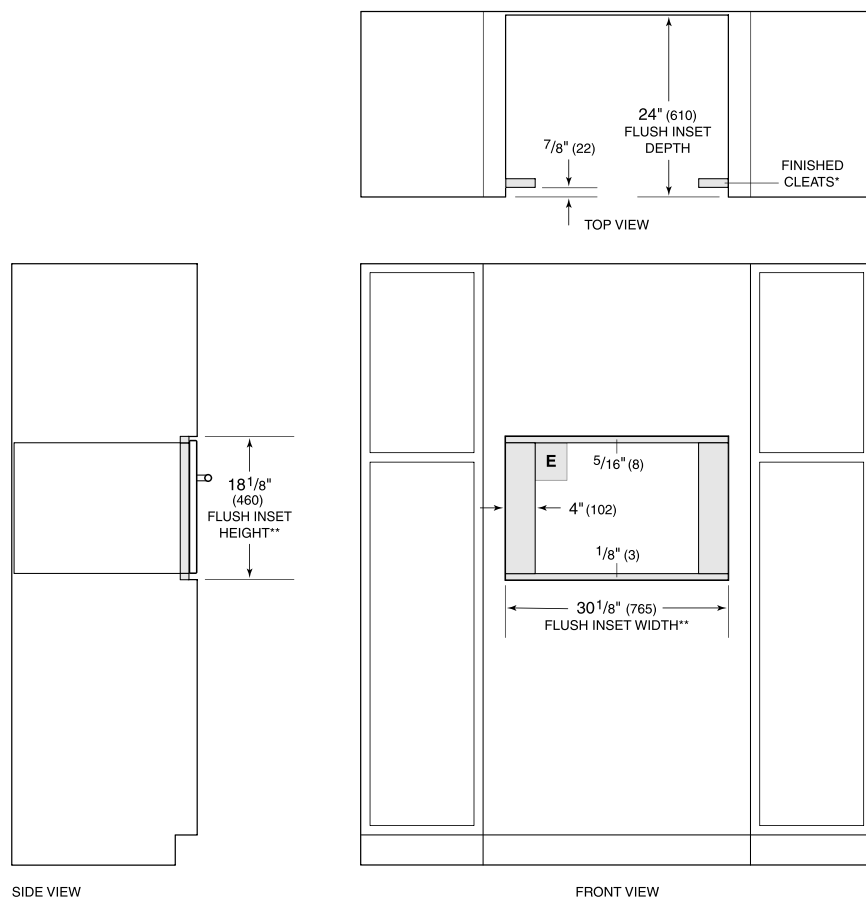


**ELECTRICAL**



**NOTE:** Dimensions in parenthesis are in millimeters unless otherwise specified

**FLUSH INSTALLATION**



\*Will be visible and should be finished to match cabinetry.  
 \*\*Dimension provides minimum reveals.