

ICBSPO30PE/S/PH

FEATURES

Rigorously tested

Exceptional support from our Customer Care team

Combines microwave, convection, and grill technologies to provide all-in-one oven versatility

Assures predictably delicious results with 10 microwave power levels, convenient quick-start modes, and an intuitive Gourmet mode

Provides more cooking power than a traditional microwave with the help of convection and grill

Fits a 33x23cm pan in the 46 L, stainless-steel interior

Frees up counter space with efficient drop-down door design

Micro Bake and Micro Roast modes reduce or completely eliminate preheat times

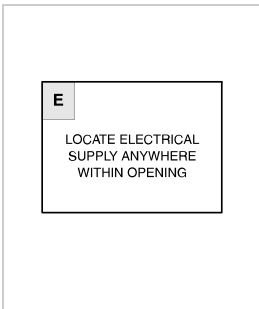
Coordinates with other Wolf built-in ovens and appliances with various handle and trim options



PRODUCT SPECIFICATIONS

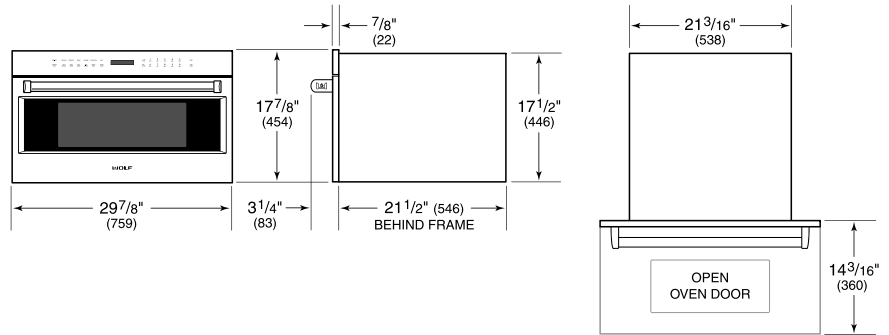
Model	ICBSPO30PE/S/PH
Dimensions	759mmW x 454mmH x 546mmD
Capacity	46 L
Door Clearance	360mm
Weight	36 kg
Electrical Supply	grounded, 230 VAC, 50 Hz
Electrical Service	15 amp dedicated circuit
Power Cord Length	1.8 Meters
Receptacle	grounding-type (earthed), IEC inlet

ELECTRICAL

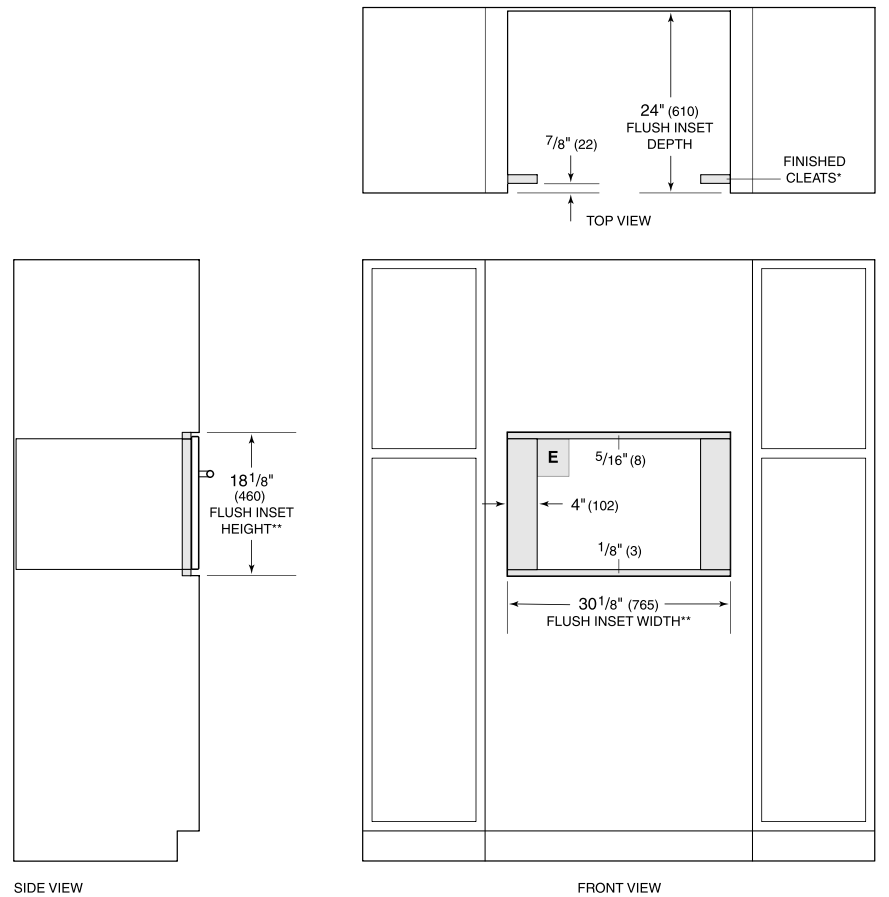


NOTE: Dimensions in parenthesis are in millimeters unless otherwise specified

DIMENSIONS



FLUSH INSTALLATION



*Will be visible and should be finished to match cabinetry.
**Dimension provides minimum reveals.