

SUBZERO

DESIGN GUIDE

**BUILT-IN SERIES
FLUSH INSET OVERLAY**



EFFECTIVE 1/4/2017

TABLE OF CONTENTS

3	BUILT-IN REFRIGERATION
7	FLUSH INSET OVERLAY INSTALLATION
22	SUB-ZERO WARRANTIES



Features and specifications are subject to change at any time without notice.

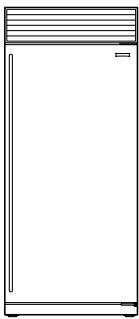
Throughout this guide, dimensions may vary by ± 3 mm.

BUILT-IN REFRIGERATION

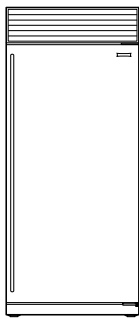
Built-In Refrigeration

Sub-Zero designers and engineers continue to perfect the built-in line. The addition of LED lighting throughout and several new models with internal water dispensers, along with the same advanced food preservation technology Sub-Zero is known for, make the built-in line nothing short of revolutionary.

BUILT-IN MODELS



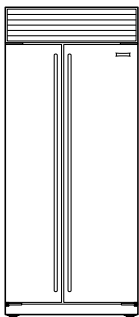
ICBBI-36R



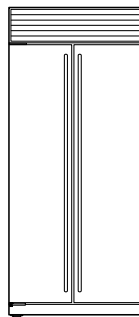
ICBBI-36F



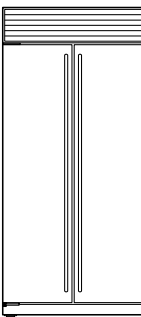
ICBBI-36UID



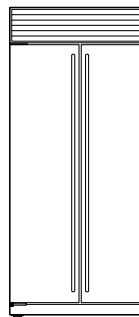
ICBBI-36S



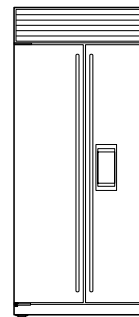
ICBBI-42S



ICBBI-48S



ICBBI-48SID

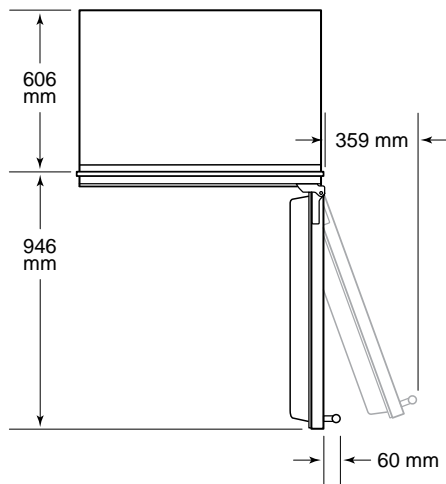
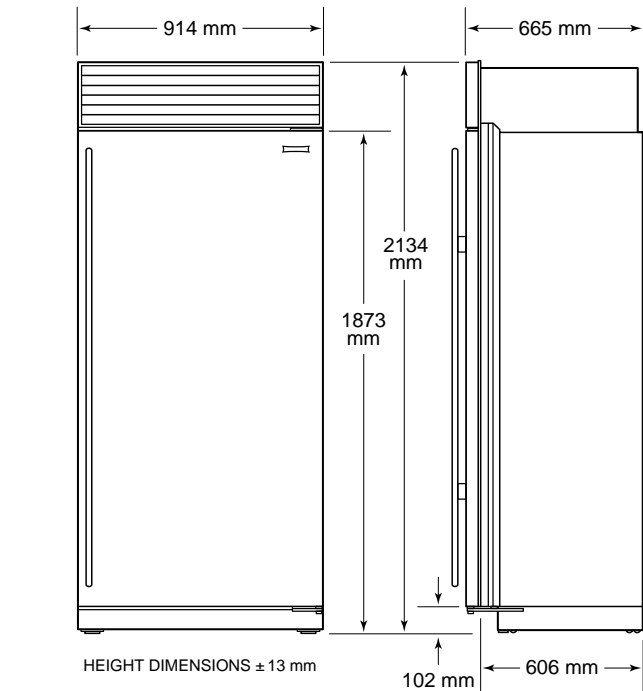


ICBBI-48SD

BUILT-IN REFRIGERATION

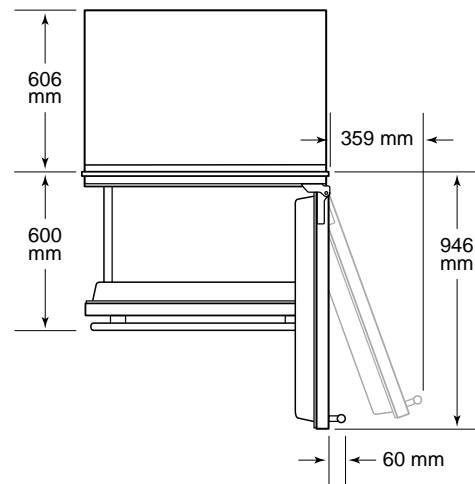
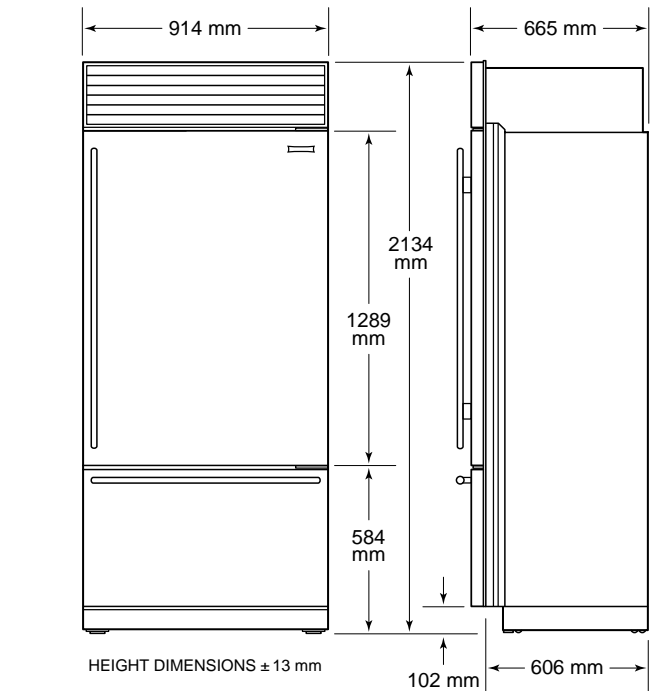
Overall Dimensions

ALL REFRIGERATOR | ALL FREEZER



Model ICBBI-36R, ICBBI-36F.

OVER-AND-UNDER



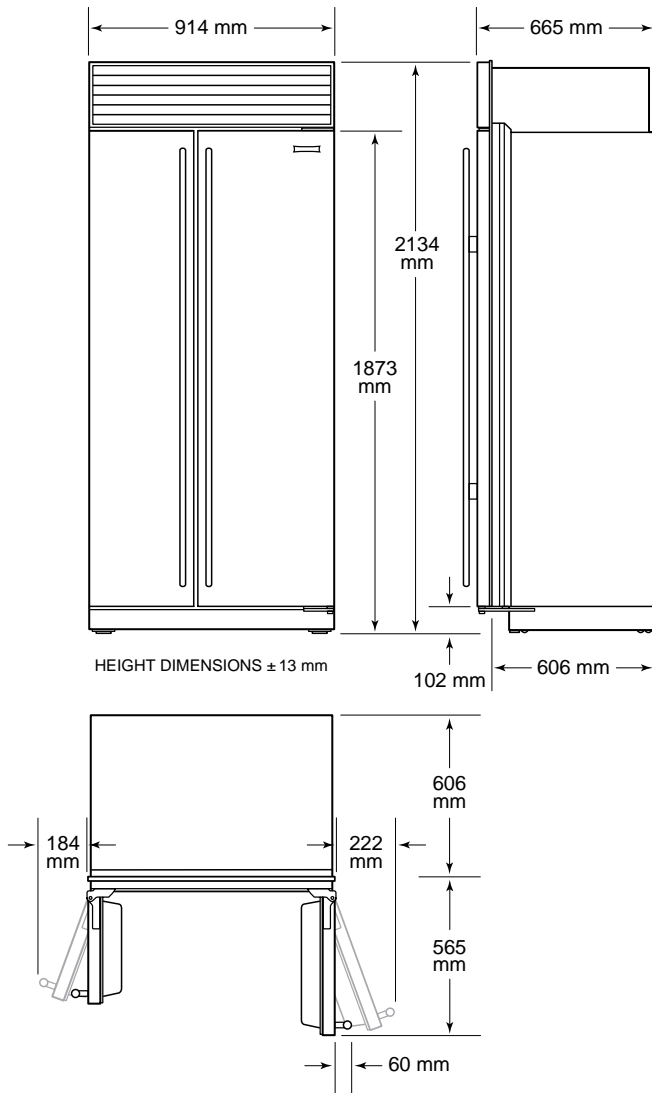
Model ICBBI-36UID.

Overall dimensions are based on stainless steel models.
For flush inset applications, add minimum 13 mm to door clearance dimensions.

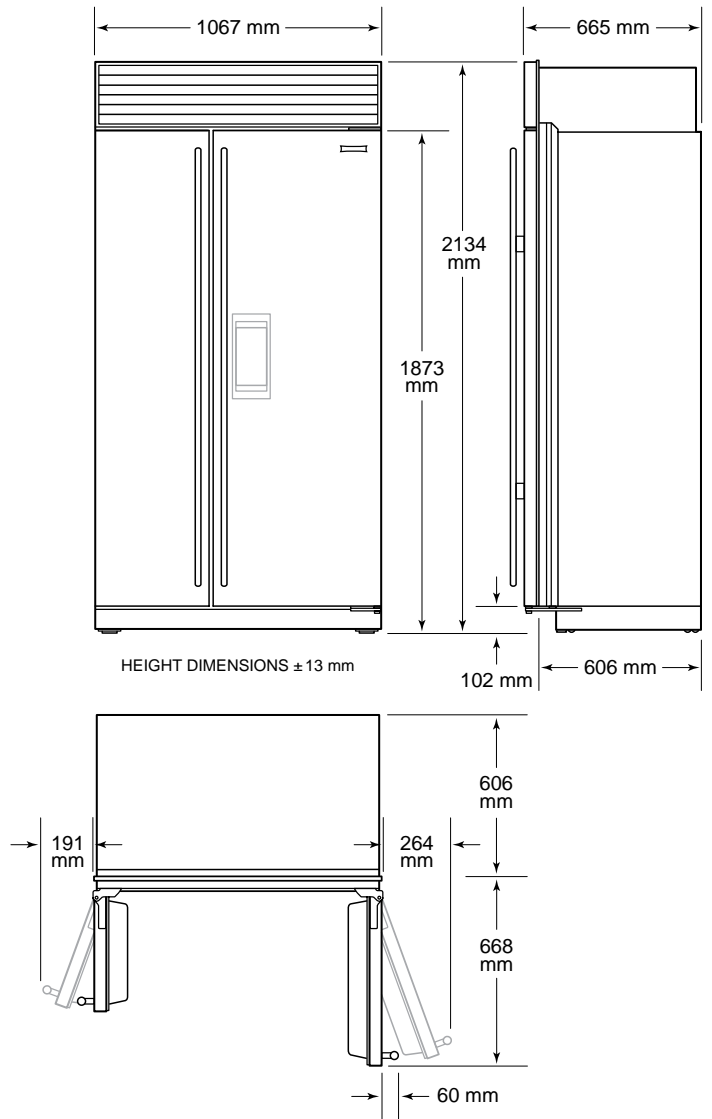
BUILT-IN REFRIGERATION

Overall Dimensions

SIDE-BY-SIDE



Model ICBBI-36S.

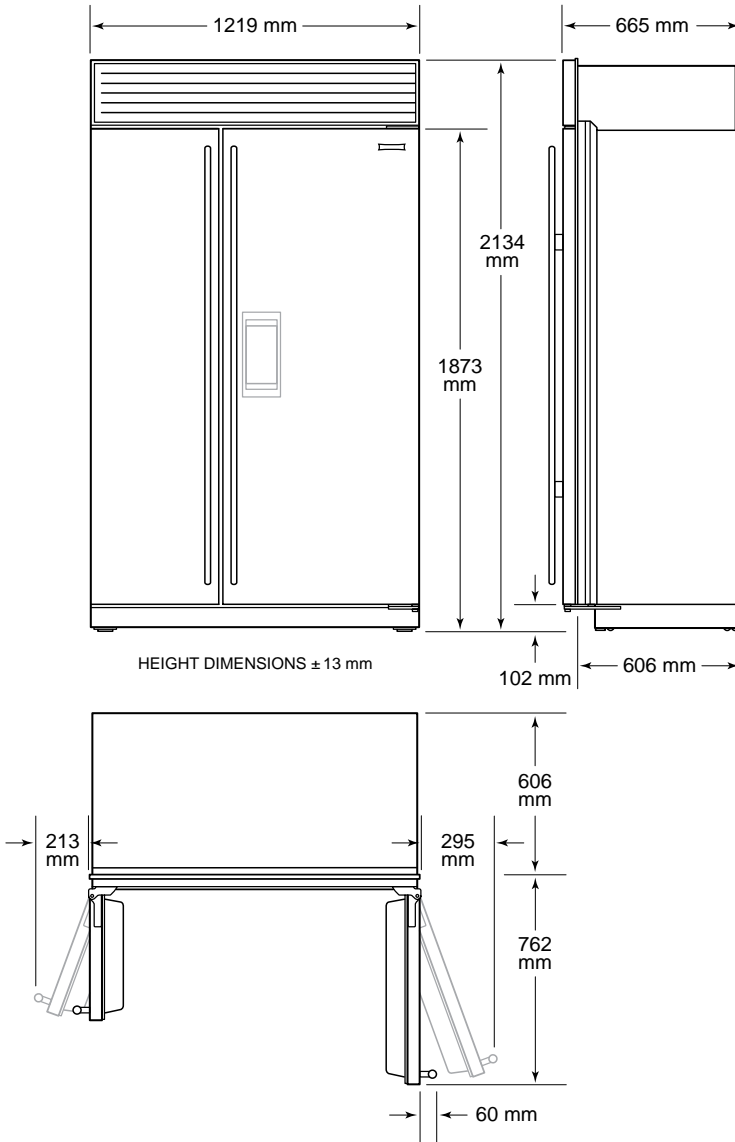


Model ICBBI-42S

BUILT-IN REFRIGERATION

Overall Dimensions

SIDE-BY-SIDE



Model ICBBI-48S, ICBBI-48SID, ICBBI-48SD.

Specifications

INTERIOR CAPACITY

ALL REFRIGERATOR ALL FREEZER	R (L)*	F (L)*
ICBBI-36R	613	
ICBBI-36F		612
OVER-AND-UNDER	R (L)	F (L)
ICBBI-36UID	367	143
ICBBI-36UFDID	357	144
ICBBI-42UFDID	420	220
SIDE-BY-SIDE	R (L)	F (L)
ICBBI-36S	328	225
ICBBI-42S	430	220
ICBBI-42SD	408	194
ICBBI-48S	500	264
ICBBI-48SID	491	244
ICBBI-48SD	478	244

*Useable volume based on ISO 15502

Flush Inset Overlay Panels

The flush inset overlay application allows decorative panels on the front of the unit to be flush with surrounding cabinetry and is available for all built-in overlay models. For exact panel dimensions, refer to flush inset panel specifications on the following pages.

The flush inset design allows decorative panels to cover the door trim for a seamless appearance that blends with the design of the room. The most common way to achieve this look is to work with three panels—the decorative flush inset panel, which is typically 19 mm, a 3 mm spacer panel and a 6 mm backer panel. Depending on your cabinet manufacturer, this could also be one panel routed for different dimensions.

Regardless of the physical construction of the panels (three-panel assembly or routed panel), you will need to follow the flush inset panel specifications on the following pages for exact sizing and panel placement to ensure a proper fit.

⚠ CAUTION

Do not exceed flush inset panel dimensions, as this could cause damage to panels and the Sub-Zero unit.

PANEL REQUIREMENTS

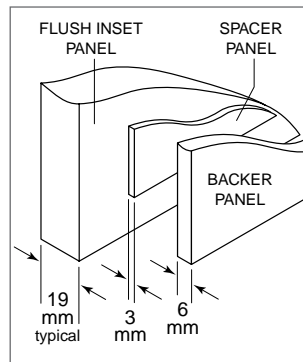
PANEL WEIGHT	MAX
ICBBI-36R/O, ICBBI-36F/O	34 kg
All Other Models	23 kg
Grille Panel	6 kg
PANEL THICKNESS	MIN
All Panels	16 mm

The illustration below provides a rear view of the three-panel assembly with critical dimensions, standard for all built-in models.

IMPORTANT NOTE: The inside edges of the rough opening as well as the sides and a portion of the back side of the decorative panels will need to be finished, as they will be exposed when the doors are open.

IMPORTANT NOTE: For flush inset panels thicker than 19 mm, a 90° door stop may be required to prevent interference with adjacent cabinets. Refer to the full-scale templates at the end of this section.

IMPORTANT NOTE: When installing two units side by side in a flush inset application, refer to pages 17-21 for dual flush inset installations. Be aware that rough opening dimensions, panel sizes and offsets are different for this application.

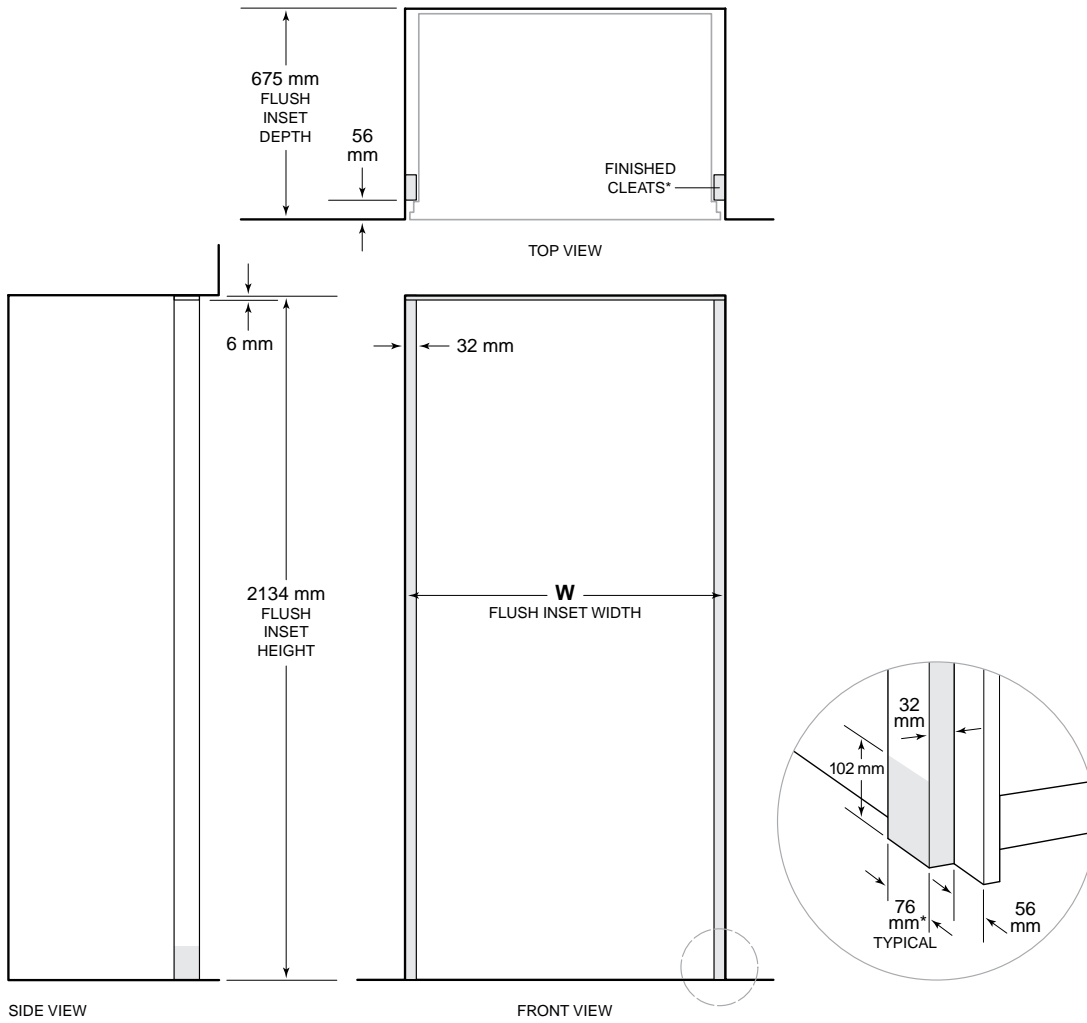


Three-panel assembly.

BUILT-IN REFRIGERATION

Opening Dimensions

FLUSH INSET OVERLAY INSTALLATION



*76 mm typical depth. Shaded areas will be visible and should be finished to match cabinetry.
 NOTE: Shaded line represents profile of unit with 19 mm panel.

FLUSH INSET OVERLAY WIDTH	W
ICBBI-36R/O, ICBBI-36F/O	965 mm
ICBBI-36UID/O, ICBBI-36S/O	965 mm
ICBBI-42S/O	1118 mm
ICBBI-48S/O, ICBBI-48SID/O, ICBBI-48SD/O	1270 mm

Dimensions assume a 19 mm panel thickness.

If two units are installed side by side, refer to page 18 for dual flush inset installations.

Planning information

ELECTRICAL REQUIREMENTS

International models from the factory designed without a transformer require a 220-240 V AC, 50/60 Hz electrical supply, fused at the correct rating for the unit. If required by local or national codes, the power cord can be easily replaced using the power inlet device.

Built-in models should have the electrical supply either in the cabinet above the refrigerator a MINIMUM OF 2200MM ABOVE THE FLOOR or in the cabinet alongside. If freestanding then locate the power point as per the diagram below. A separate circuit servicing only this appliance is required. A ground fault circuit interrupter (GFCI) is not recommended and may cause interruption of operation.

PLUMBING REQUIREMENTS

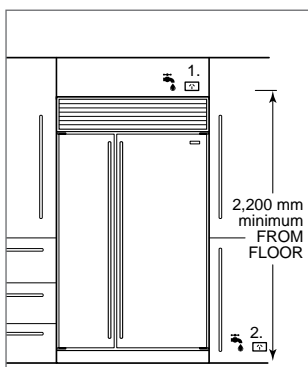
For built-in models with an automatic ice maker, a pressure limiting valve and 5 meters of flexible 6mm pipe with fittings is included in the refrigerator carton. Connect the pressure limiting valve close to the water tap, CHECKING THE WATER FLOW IS IN THE RIGHT DIRECTION. Ensure water connection is 1/2" BSP male threaded outlet. Fix the 6mm water line to the wall and floor to ensure it isn't squashed when the refrigerator is pushed into the cavity. Locate the water tap either in the cabinet above a minimum of 2200mm from the floor, or in the cabinet alongside.

The water line must not interfere with installation of the anti-tip brackets.

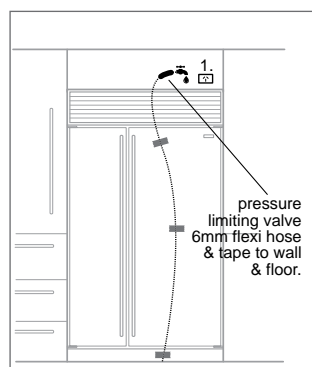
IMPORTANT NOTE: A reverse osmosis system can be used provided there is constant water pressure of 2.1 bar to 6.9 bar supplied to the unit at all times.

Electrical Requirements	
Power Supply	220-240 V AC, 50/60 Hz
Circuit Breaker	10 amp
Receptacle	3-prong grounding-type

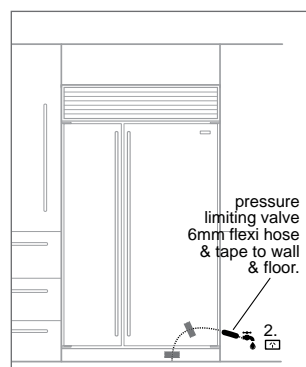
Plumbing Requirements	
Water Supply Line	6mm plastic line
Water Pressure	2.1-6.9 bar
Water line for Connection	5m



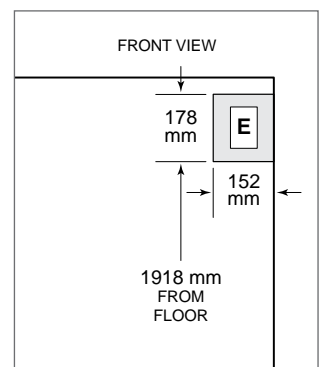
Built in. Alternative location of power & water supply depending on ease of access.



1. Built in. Water supply above fridge. Location of 6mm flexible hose. Tape to wall and floor with pressure limiting valve next to tap.



2. Built in. Water supply beside fridge. Location of 6mm flexible hose. Tape to wall and floor with pressure limiting valve next to tap.



Freestanding location of power supply.

BUILT-IN REFRIGERATION

Custom Panels

FLUSH INSET OVERLAY PANELS

The flush inset application is an overlay model with flush inset panels. It is not a separate model.

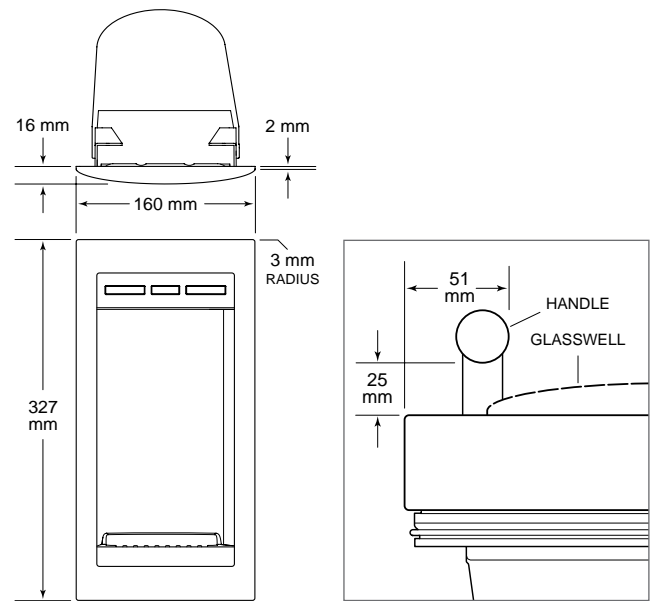
The flush inset design allows custom panels to be installed flush with adjacent cabinets. Similar to overlay, flush inset panels are typically created by combining a 19 mm custom panel, a 3 mm spacer panel and a 6 mm backer panel. Refer to the illustrations for overlay panels. Panels must be fixed together prior to installation.

For flush inset panels thicker than 19 mm, a 90° door stop may be required to prevent interference with adjacent cabinets. Refer to the full-scale templates at the end of this guide.

When installing two units side by side, refer to page 18 for dual flush inset installations.

ICE | WATER DISPENSER

For model ICBBI-48SD/O, the refrigerator door panel must include a cut-out to accommodate the external dispenser. The thickness of the panel in this area can range from 6 mm to a maximum of 29 mm. Refer to the illustrations below.

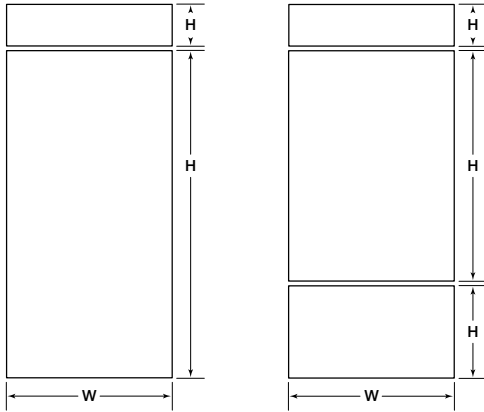


Dispenser dimensions.

Handle placement.

BUILT-IN REFRIGERATION

Flush Inset Overlay Panel Dimensions



ICBBI-36R/O,
ICBBI-36F/O

ICBBI-36UID/O

MODEL ICBBI-36R/O, ICBBI-36F/O

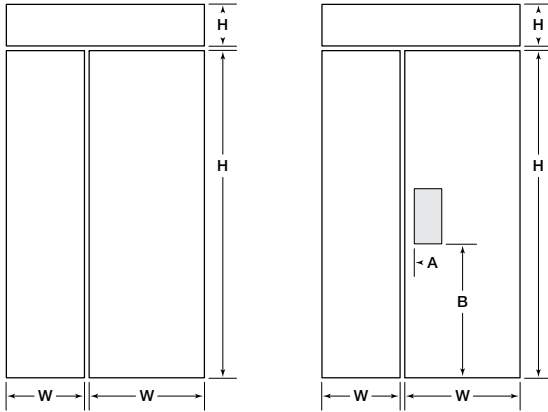
REFRIGERATOR FREEZER	W	H
Flush Inset Panel	940 mm	1772 mm
Spacer Panel	892 mm	1751 mm
Backer Panel	908 mm	1767 mm
GRILLE	W	H
Flush Inset Panel	940 mm	235 mm
Spacer Panel	892 mm	211 mm
Backer Panel	908 mm	227 mm

MODEL ICBBI-36UID/O

REFRIGERATOR	W	H
Flush Inset Panel	940 mm	1273 mm
Spacer Panel	892 mm	1253 mm
Backer Panel	908 mm	1268 mm
FREEZER	W	H
Flush Inset Panel	940 mm	483 mm
Spacer Panel	892 mm	459 mm
Backer Panel	908 mm	475 mm
GRILLE	W	H
Flush Inset Panel	940 mm	235 mm
Spacer Panel	892 mm	211 mm
Backer Panel	908 mm	227 mm

BUILT-IN REFRIGERATION

Flush Inset Overlay Panel Dimensions



ICBBI-36S/O, ICBBI-42S/O,
ICBBI-48S/O, ICBBI-48SID/O

ICBBI-48SD/O

MODEL ICBBI-36S/O

	W	H
REFRIGERATOR		
Flush Inset Panel	522 mm	1772 mm
Spacer Panel	487 mm	1751 mm
Backer Panel	503 mm	1767 mm
FREEZER		
Flush Inset Panel	411 mm	1772 mm
Spacer Panel	376 mm	1751 mm
Backer Panel	392 mm	1767 mm
GRILLE		
Flush Inset Panel	940 mm	235 mm
Spacer Panel	892 mm	211 mm
Backer Panel	908 mm	227 mm

MODEL ICBBI-42S/O

	W	H
REFRIGERATOR		
Flush Inset Panel	649 mm	1772 mm
Spacer Panel	614 mm	1751 mm
Backer Panel	630 mm	1767 mm
FREEZER		
Flush Inset Panel	437 mm	1772 mm
Spacer Panel	402 mm	1751 mm
Backer Panel	418 mm	1767 mm
GRILLE		
Flush Inset Panel	1092 mm	235 mm
Spacer Panel	1045 mm	211 mm
Backer Panel	1060 mm	227 mm

MODEL ICBBI-48S/O, ICBBI-48SID/O, ICBBI-48SD/O

	W	H
REFRIGERATOR		
Flush Inset Panel	743 mm	1772 mm
Spacer Panel	708 mm	1751 mm
Backer Panel	724 mm	1767 mm
FREEZER		
Flush Inset Panel	495 mm	1772 mm
Spacer Panel	460 mm	1751 mm
Backer Panel	476 mm	1767 mm
GRILLE		
Flush Inset Panel	1245 mm	235 mm
Spacer Panel	1197 mm	211 mm
Backer Panel	1213 mm	227 mm
DISPENSER (ICBBI-48SD/O)		
Cut-Out	149 mm	316 mm
	A	B
Cut-Out Location	51 mm	732 mm

Grille panel dimensions are for standard 2134 mm overall unit height.

Flush Inset Overlay Panels

PANEL OFFSET

The illustrations provide panel offsets and reveals for built-in models in a flush inset application. Refer to the chart below for reference to the illustrations.

PANEL OFFSET

ALL REFRIGERATOR | ALL FREEZER

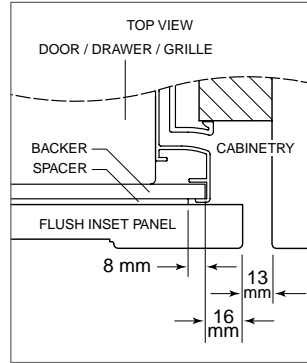
	ILLUS
Door Grille Sides	A
Grille Top	C
Grille Bottom Door Top	D
Door Bottom	F

OVER-AND-UNDER

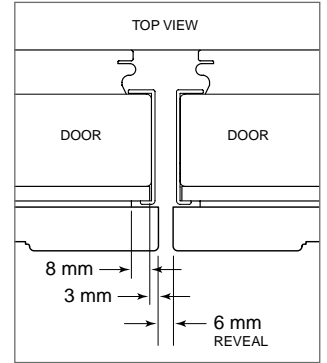
	ILLUS
Door Drawer Grille Sides	A
Grille Top	C
Grille Bottom Door Top	D
Door Bottom Drawer Top	E
Drawer Bottom	F

SIDE-BY-SIDE

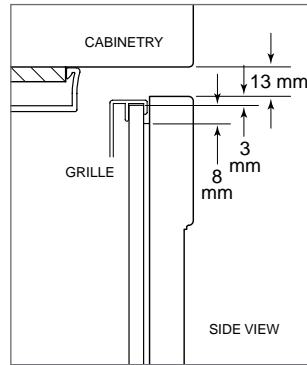
	ILLUS
Doors (hinge) Grille Sides	A
Doors (handle) Sides	B
Grille Top	C
Grille Bottom Door Top	D
Door Bottom	F



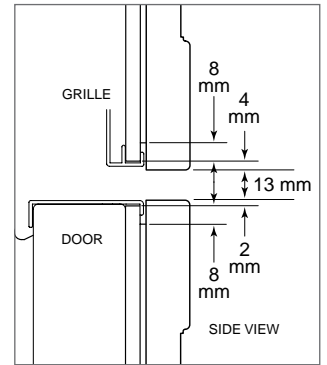
Illus. A



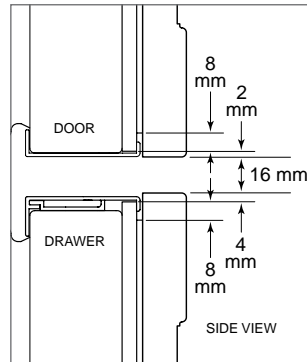
Illus. B



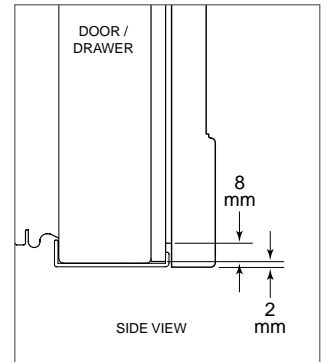
Illus. C



Illus. D



Illus. E

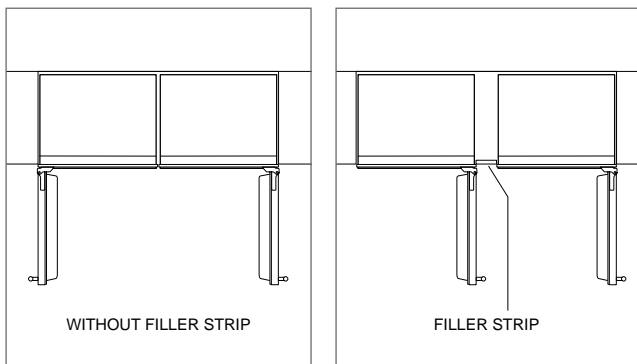


Illus. F

Dual Installation

If two units are installed side by side, a dual installation kit may be required. Installations without a custom filler strip require a dual installation kit. If a dual installation kit is not specified, a 51 mm filler strip is recommended between units. A custom filler strip is required when installing two French door or side-by-side models. Dual installations without a filler strip can only be accomplished using two units with opposite hinges. Refer to the illustrations below.

Dual installation kits are available through an authorized Sub-Zero dealer. For questions regarding the installation, contact your authorized Sub-Zero dealer.



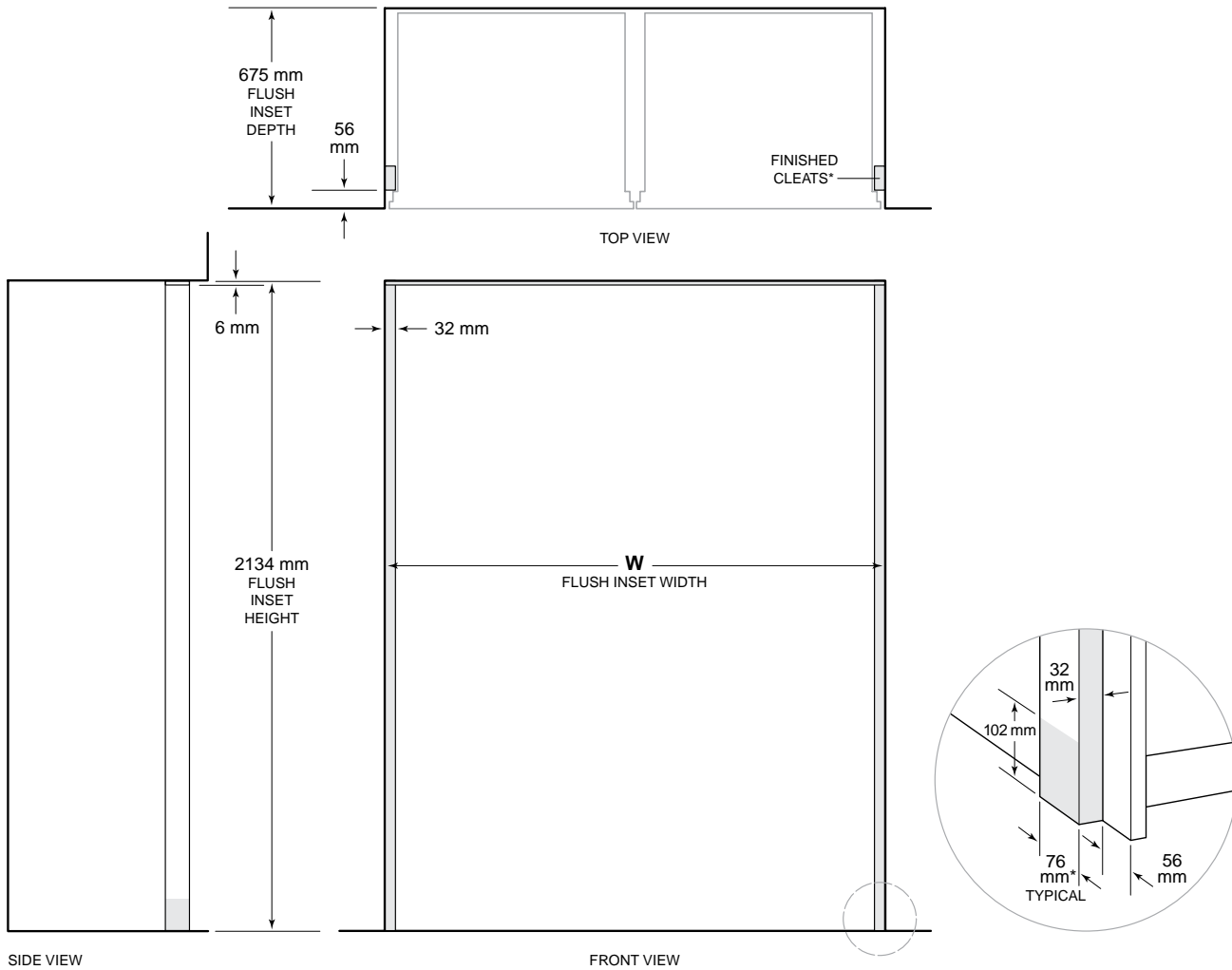
Opposite hinges.

Same side hinges.

BUILT-IN REFRIGERATION

Opening Dimensions

DUAL FLUSH INSET OVERLAY INSTALLATION



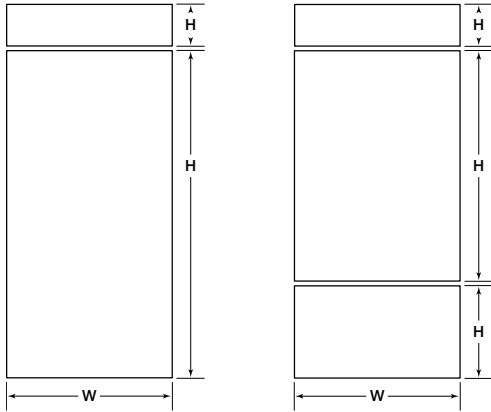
*76 mm typical depth. Shaded areas will be visible and should be finished to match cabinetry.
 NOTE: Shaded line represents profile of unit with 19 mm panel.

FLUSH INSET WIDTH	W
Two 914 mm Models	1886 mm

Dimensions assume a 19 mm panel thickness. A dual installation kit will be required for this installation in a handle to handle situation only. Where a dual installation kit is not used or the installation is a handle to hinge or hinge to hinge, a 51mm spacer panel is required between the refrigerators.

BUILT-IN REFRIGERATION

Dual Flush Inset Overlay Panel Dimensions



ICBBI-36R/O,
ICBBI-36F/O

ICBBI-36UID/O

MODEL ICBBI-36R/O, ICBBI-36F/O

REFRIGERATOR FREEZER	W	H
Flush Inset Panel	927 mm	1772 mm
Spacer Panel	892 mm	1751 mm
Backer Panel	908 mm	1767 mm
GRILLE	W	H
Flush Inset Panel	927 mm	235 mm
Spacer Panel	892 mm	211 mm
Backer Panel	908 mm	227 mm

MODEL ICBBI-36UID/O

REFRIGERATOR	W	H
Flush Inset Panel	927 mm	1273 mm
Spacer Panel	892 mm	1253 mm
Backer Panel	908 mm	1268 mm
FREEZER	W	H
Flush Inset Panel	927 mm	483 mm
Spacer Panel	892 mm	459 mm
Backer Panel	908 mm	475 mm
GRILLE	W	H
Flush Inset Panel	927 mm	235 mm
Spacer Panel	892 mm	211 mm
Backer Panel	908 mm	227 mm

Grille panel dimensions are for standard 2134 mm overall unit height. For dual wide grilles, refer to page 21.

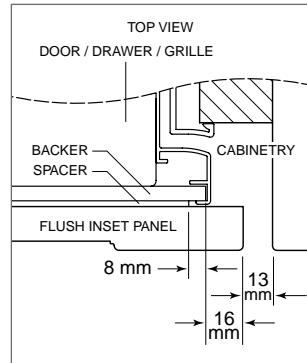
Dual Installation

DUAL FLUSH INSET OVERLAY PANEL OFFSET

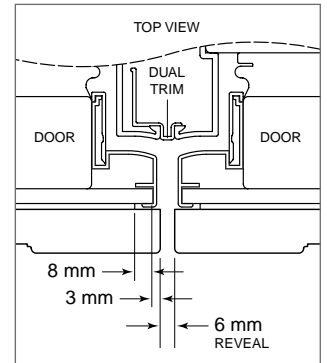
The illustrations provide panel offsets and reveals for built-in models in a dual flush inset application. Refer to the chart below for reference to the illustrations.

PANEL OFFSET

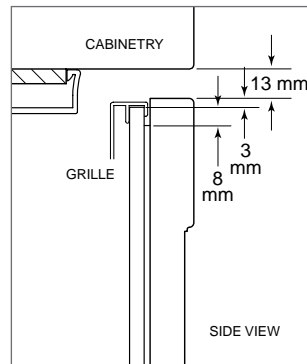
ALL REFRIGERATOR ALL FREEZER	ILLUS
Door (hinge) Grille Sides	A
Door (handle) Sides	B
Grille Top	C
Grille Bottom Door Top	D
Door Bottom	F
OVER-AND-UNDER	ILLUS
Door (hinge) Drawer Grille Sides	A
Door (handle) Sides	B
Grille Top	C
Grille Bottom Door Top	D
Door Bottom Drawer Top	E
Drawer Bottom	F



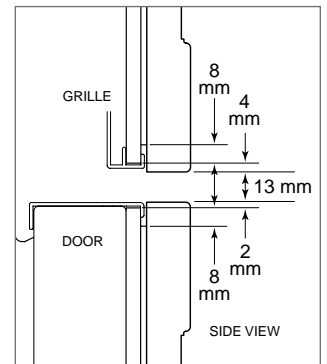
Illus. A



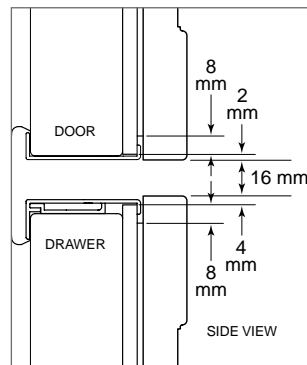
Illus. B



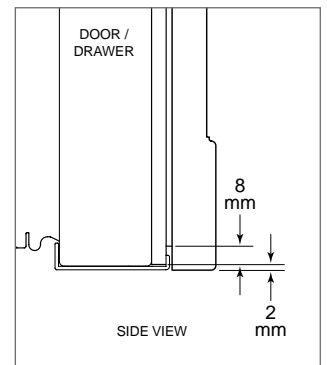
Illus. C



Illus. D



Illus. E



Illus. F

BUILT-IN REFRIGERATION

Dual Installation

DUAL WIDE GRILLE

A dual wide grille spans the entire width of both units in a dual installation and is a part of a dual installation kit.

For flush inset panel dimensions for the dual wide grille, refer to the charts below. Dimensions listed are for a standard 2134 mm finished height.

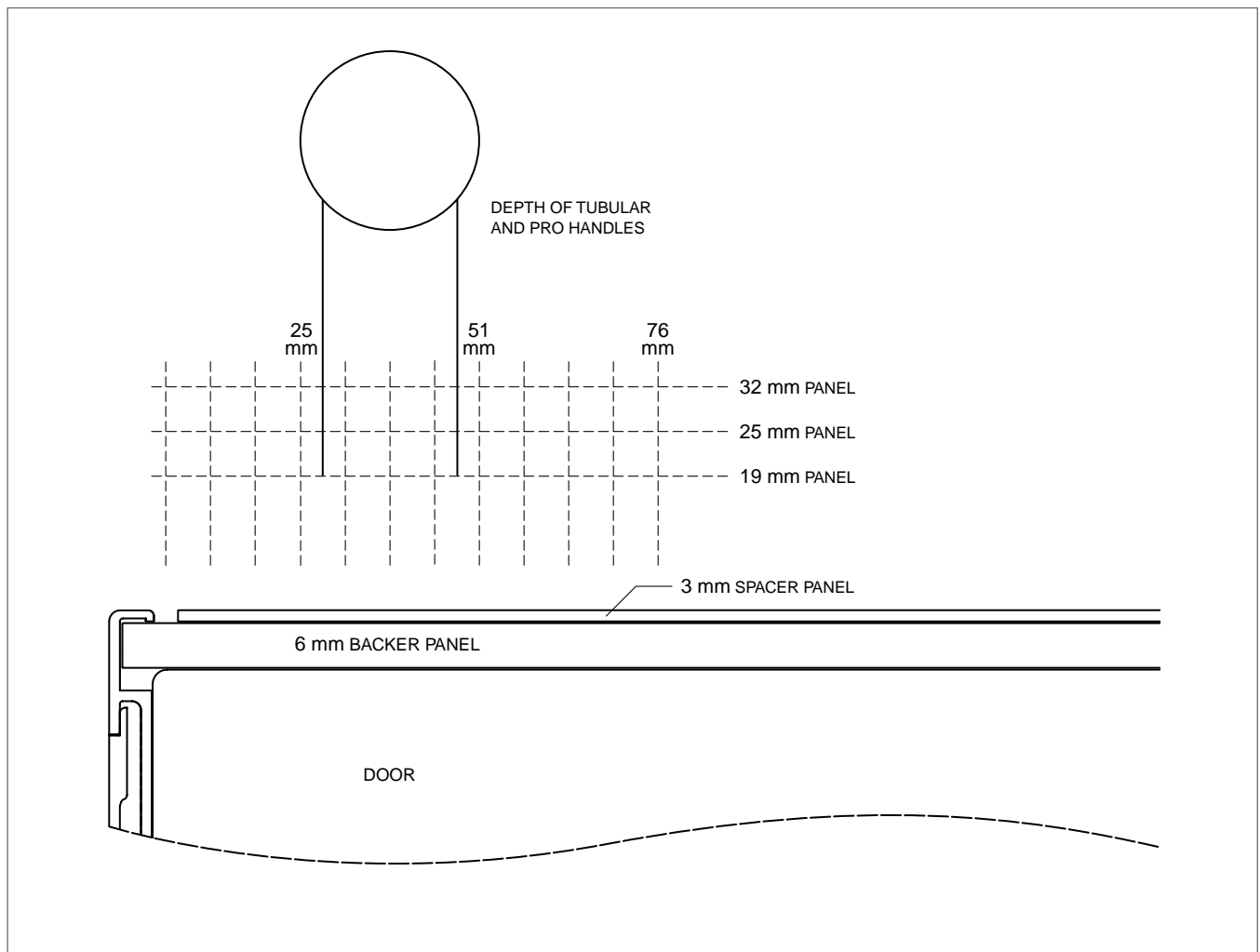
DUAL WIDE GRILLE—FLUSH INSET OVERLAY

TWO 914 mm MODELS	W	H
Flush Inset Panel	1861 mm	235 mm
Spacer Panel	1813 mm	211 mm
Backer Panel	1829 mm	227 mm

Overlay | Flush Inset Panels

FULL-SCALE TEMPLATE

Overlay and flush inset panels must be a minimum of 16 mm thick to support mounting the handle. Panel thickness does not include backer and spacer panel. Mount handle close to the opening edge of the door.



Overlay and flush inset panel thickness.

Flush Inset Overlay Application

FULL-SCALE TEMPLATE

For panels thicker than 19 mm, a 90° door stop may be required to prevent interference with adjacent cabinets.

610 mm
TO BACK WALL

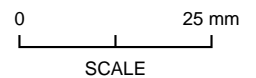
32 mm

56 mm
ASSUMES
19 mm
FLUSH INSET
PANEL
THICKNESS

25 mm
THICK PANEL

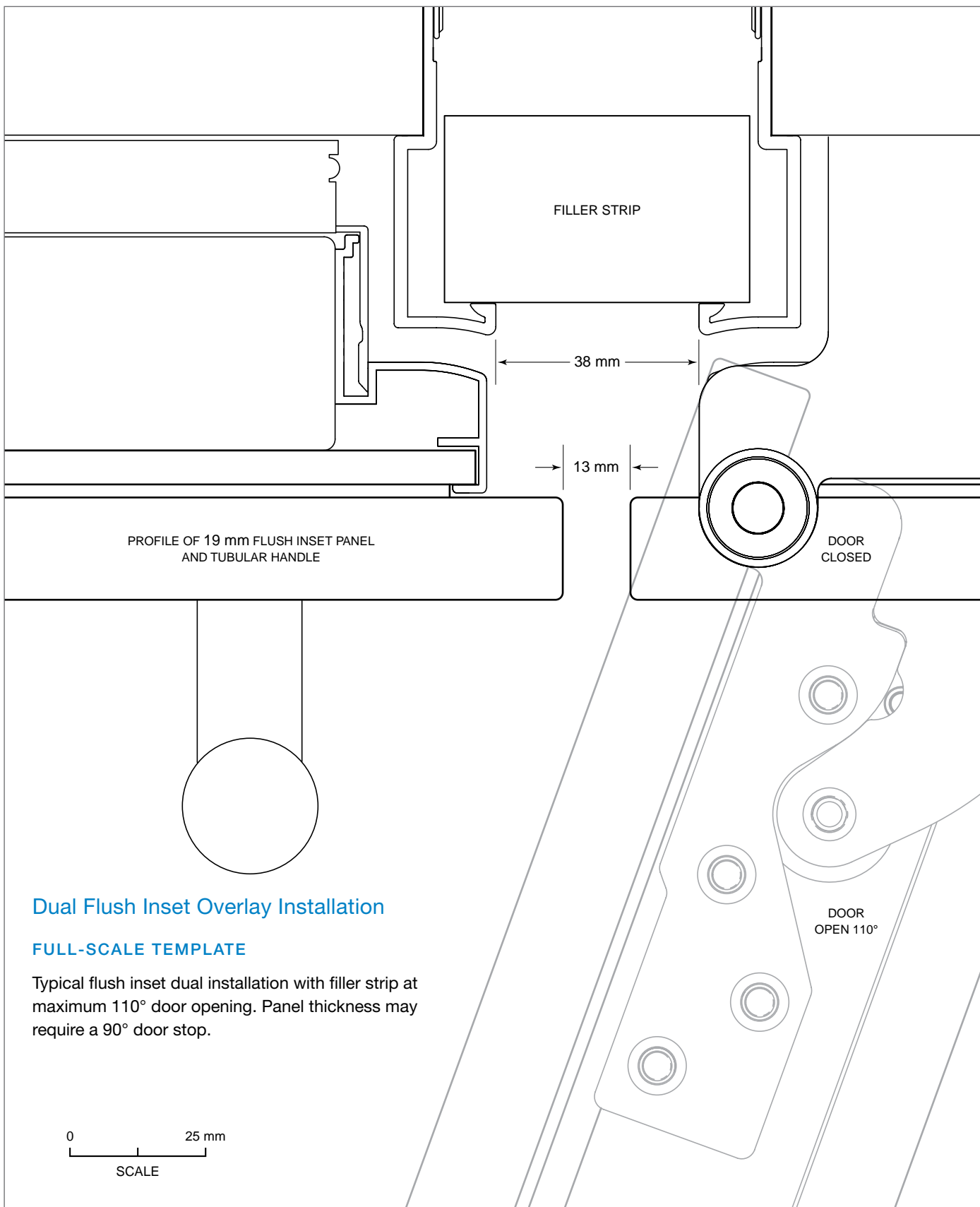
19 mm
THICK FLUSH INSET PANEL
(TYPICAL)

6 mm
BACKER PANEL



110° door opening (top view).

BUILT-IN REFRIGERATION



Dual Flush Inset Overlay Installation

FULL-SCALE TEMPLATE

Typical flush inset dual installation with filler strip at maximum 110° door opening. Panel thickness may require a 90° door stop.

Dual flush inset installation (top view).

Sub-Zero International Limited Warranty

FOR RESIDENTIAL USE

FULL TWO YEAR WARRANTY*

For two years from the date of original installation, this Sub-Zero product warranty covers all parts and labor to repair or replace, under normal residential use, any part of the product that proves to be defective in materials or workmanship. All service provided by Sub-Zero under the above warranty must be performed by Sub-Zero factory certified service, unless otherwise specified by Sub-Zero, Inc. Service will be provided during normal business hours.

FULL FIVE YEAR SEALED SYSTEM WARRANTY

For five years from the date of original installation, this Sub-Zero product warranty covers all parts and labor to repair or replace, under normal residential use, these parts that prove to be defective in materials or workmanship: compressor, condenser, evaporator, drier and all connecting tubing. All service provided by Sub-Zero under the above warranty must be performed by Sub-Zero factory certified service, unless otherwise specified by Sub-Zero, Inc. Service will be provided during normal business hours.

For more information regarding your Sub-Zero product warranty, contact your authorized Sub-Zero dealer. Warranties must comply to all country, state, city, local and or ordinance.

*Stainless steel (doors, panels, handles, product frames and interior surfaces) are covered by a limited 60-day parts and labor warranty for cosmetic defects.

*Replacement water filters and air purification cartridges are not covered by the product warranty.



Sub-Zero, Sub-Zero & Design, Sub-Zero & Snowflake Design, Dual Refrigeration, The Living Kitchen, Great American Kitchens The Fine Art of Kitchen Design, Wolf, Wolf & Design, Wolf Gourmet, W & Design, red colored knobs, Cove, and Cove & Design, are registered trademarks and service marks of Sub-Zero Group, Inc. and its subsidiaries. All other trademarks are property of their respective owners in the United States and other countries.



SUB-ZERO GROUP AUSTRALIA PTY LTD

Bank House, 11 – 19 Bank Place.
Melbourne Victoria Australia 3000
Telephone 03 9600 2218

enquiries@subzero.com



SUBZERO-WOLF.COM.AU