



# Design Guide

## Classic Series

# Proud Installation

ICB REVISED 5/2022



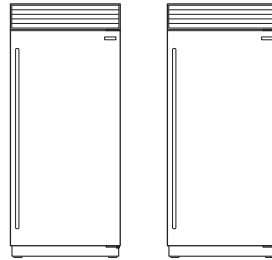
## Classic Series Models

For the Classic series refrigeration, Sub-Zero designers and engineers took a fresh look at everything, inside and out. Exterior refinements include redesigned grilles and lower-profile hinges. Inside, new technology in food preservation makes the Classic series refrigeration nothing short of revolutionary.

Features and specifications are subject to change at any time without notice.

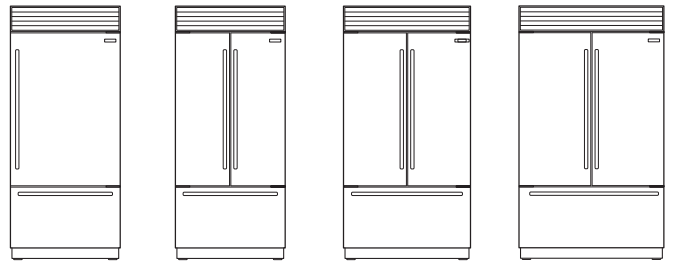
Throughout this guide, dimensions may vary by  $\pm 3$  mm.

### ALL REFRIGERATOR / ALL FREEZER



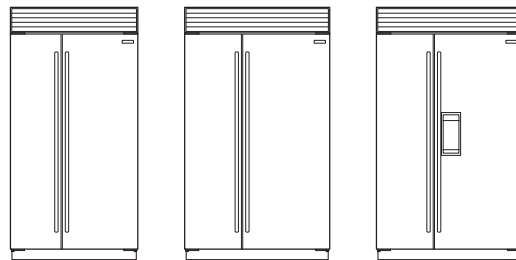
ICBCL3650RID ICBCL3650F

### OVER-AND-UNDER



ICBCL3650UID ICBCL3650UFDID ICBCL4250UFDID ICBCL4850UFDID

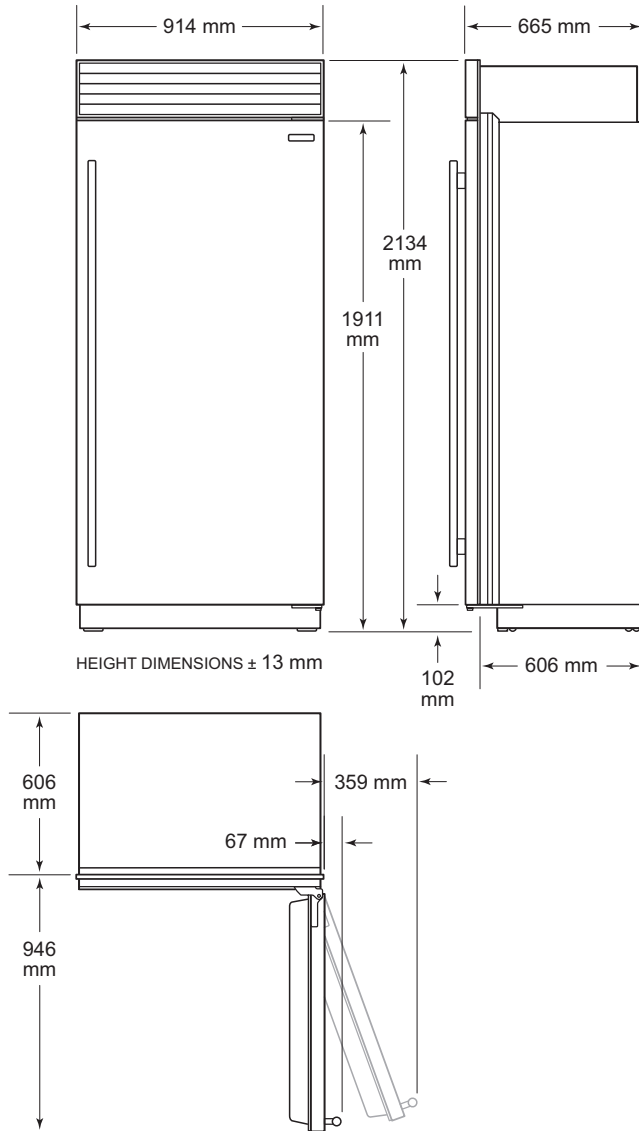
### SIDE-BY-SIDE MODELS



ICBCL4250S(ID) ICBCL4850S(ID) ICBCL4850SD

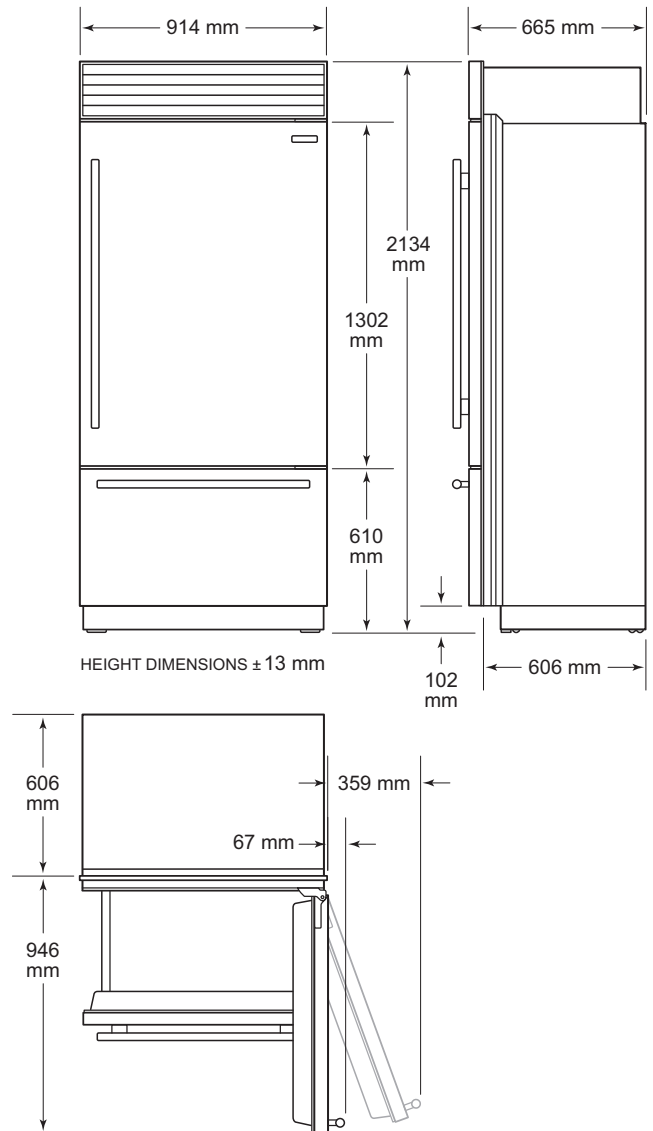
## Overall Dimensions

### ALL REFRIGERATOR / ALL FREEZER



Model ICBCL3650R, ICBCL3650F

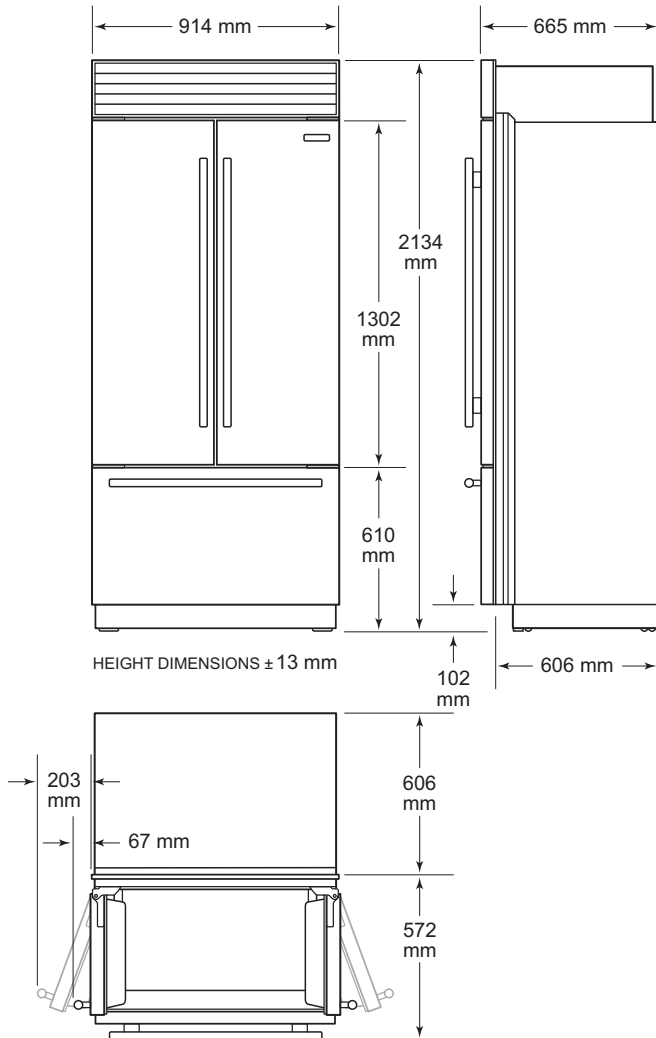
### OVER-AND-UNDER



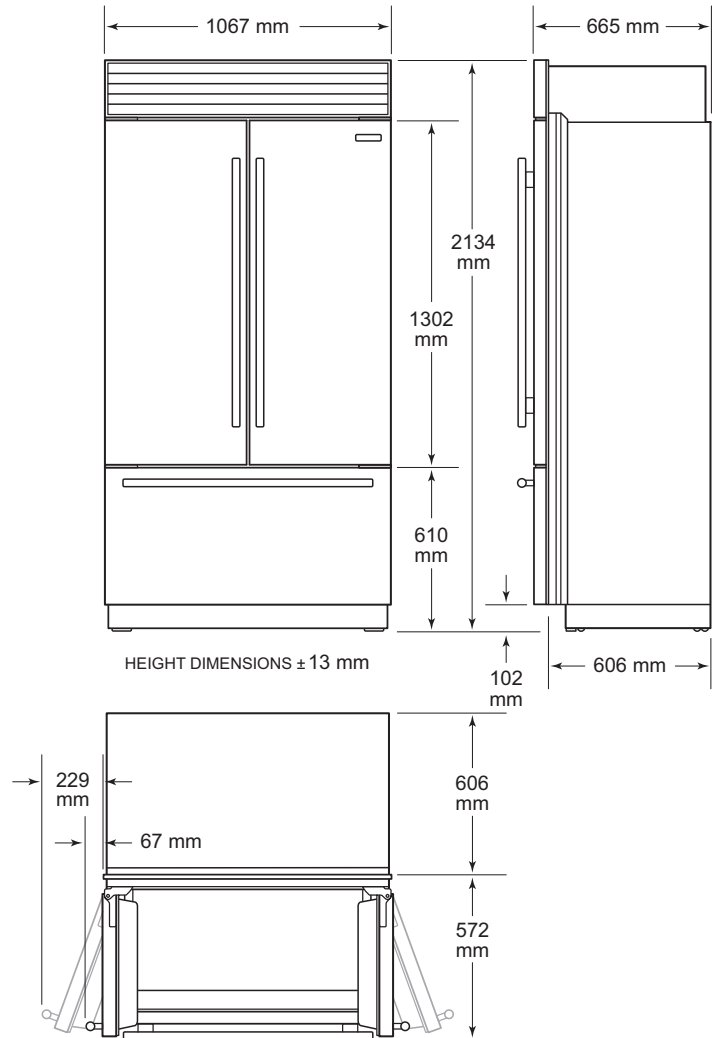
Model ICBCL3650U

## Overall Dimensions

### OVER-AND-UNDER



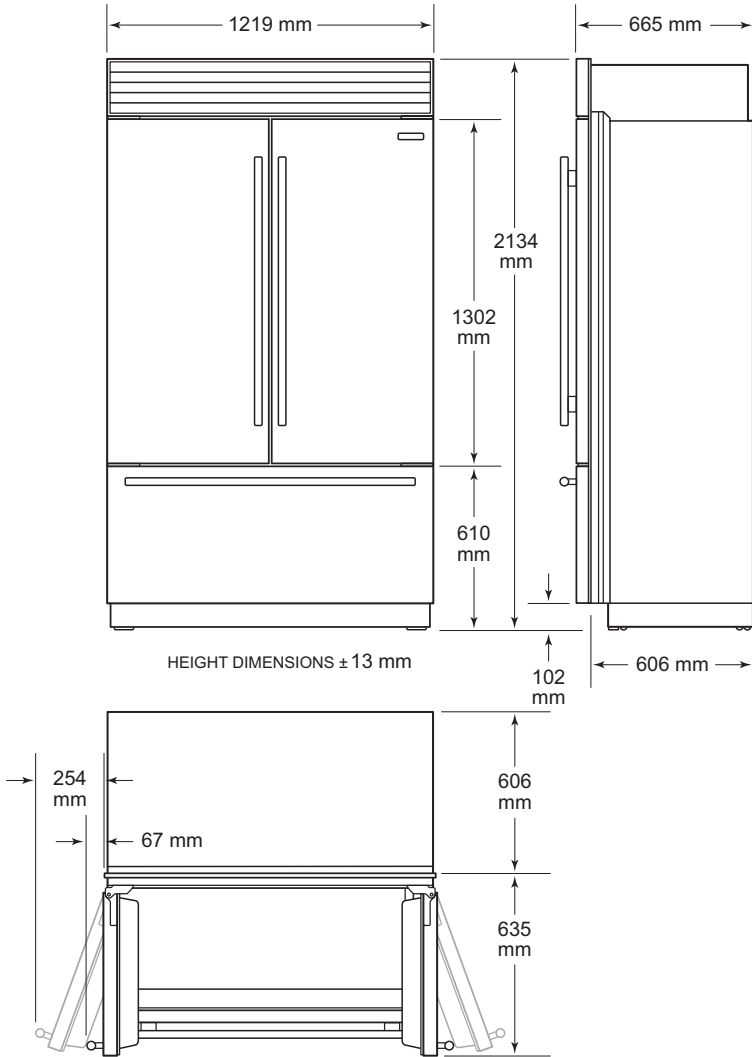
Model ICBCL3650UFD



Model ICBCL4250UFD

Overall Dimensions

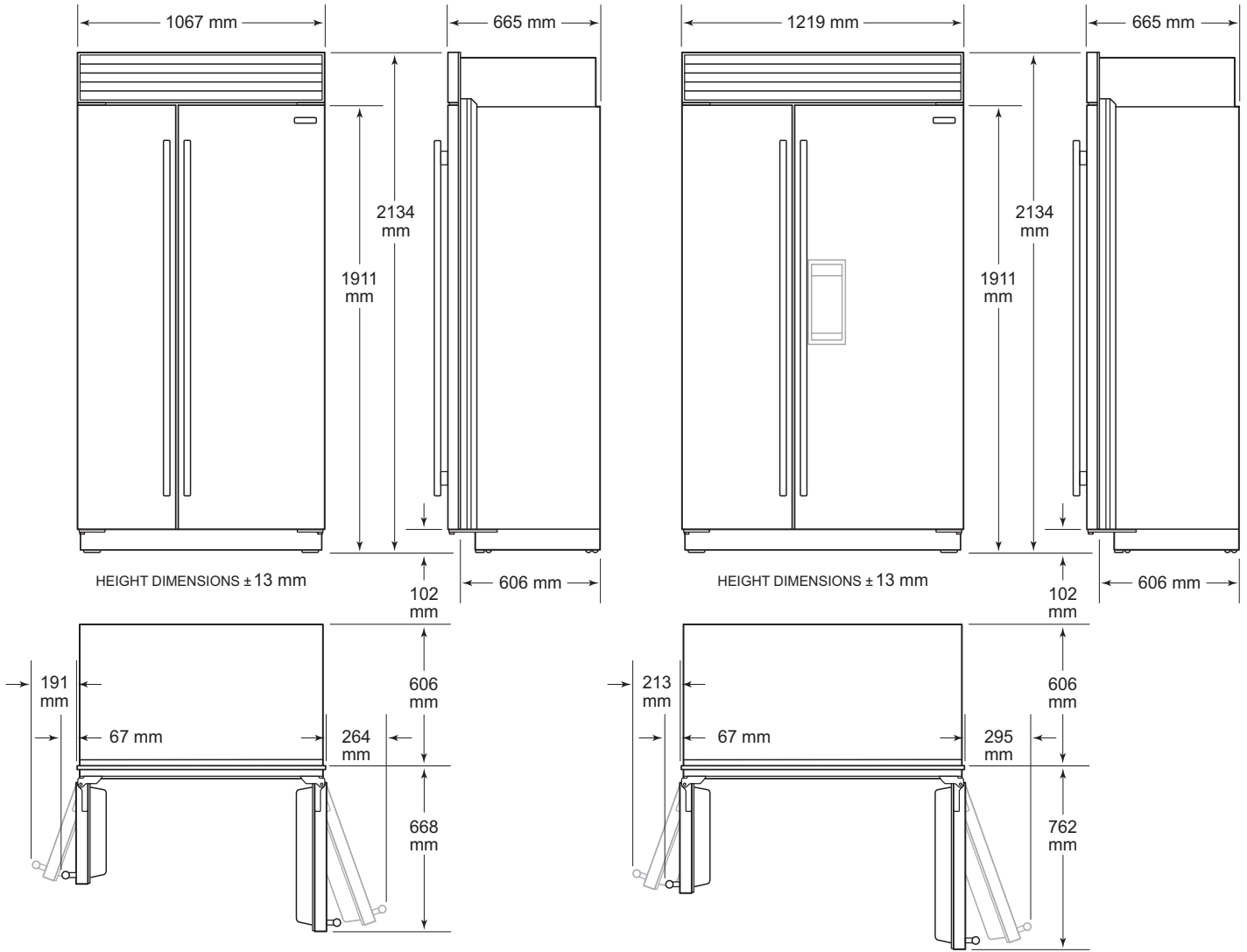
OVER-AND-UNDER



Model ICBCL4850UFD

## Overall Dimensions

### SIDE-BY-SIDE

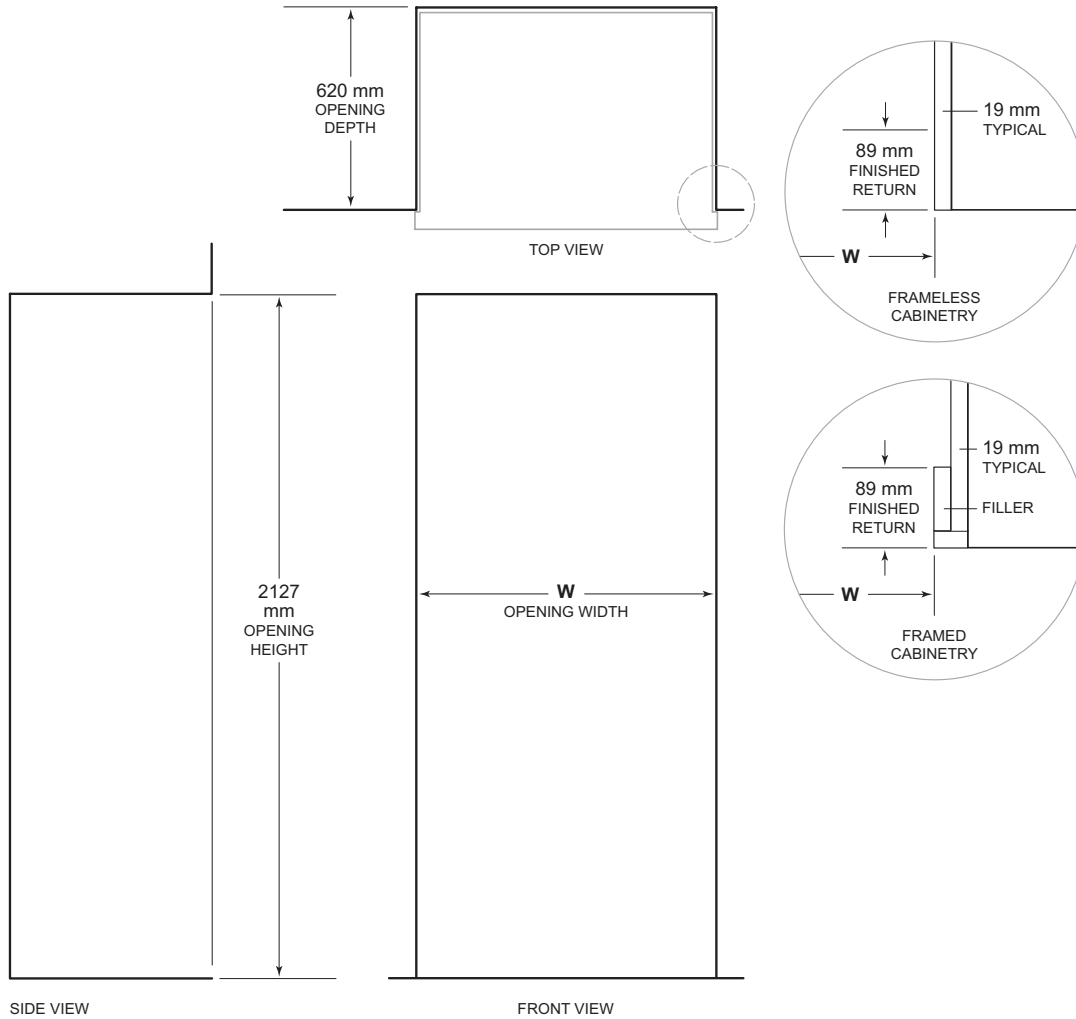


Model ICBCL4250S(ID)

Model ICBCL4850S(ID), ICBCL4850SD

## Opening Dimensions

### STANDARD INSTALLATION



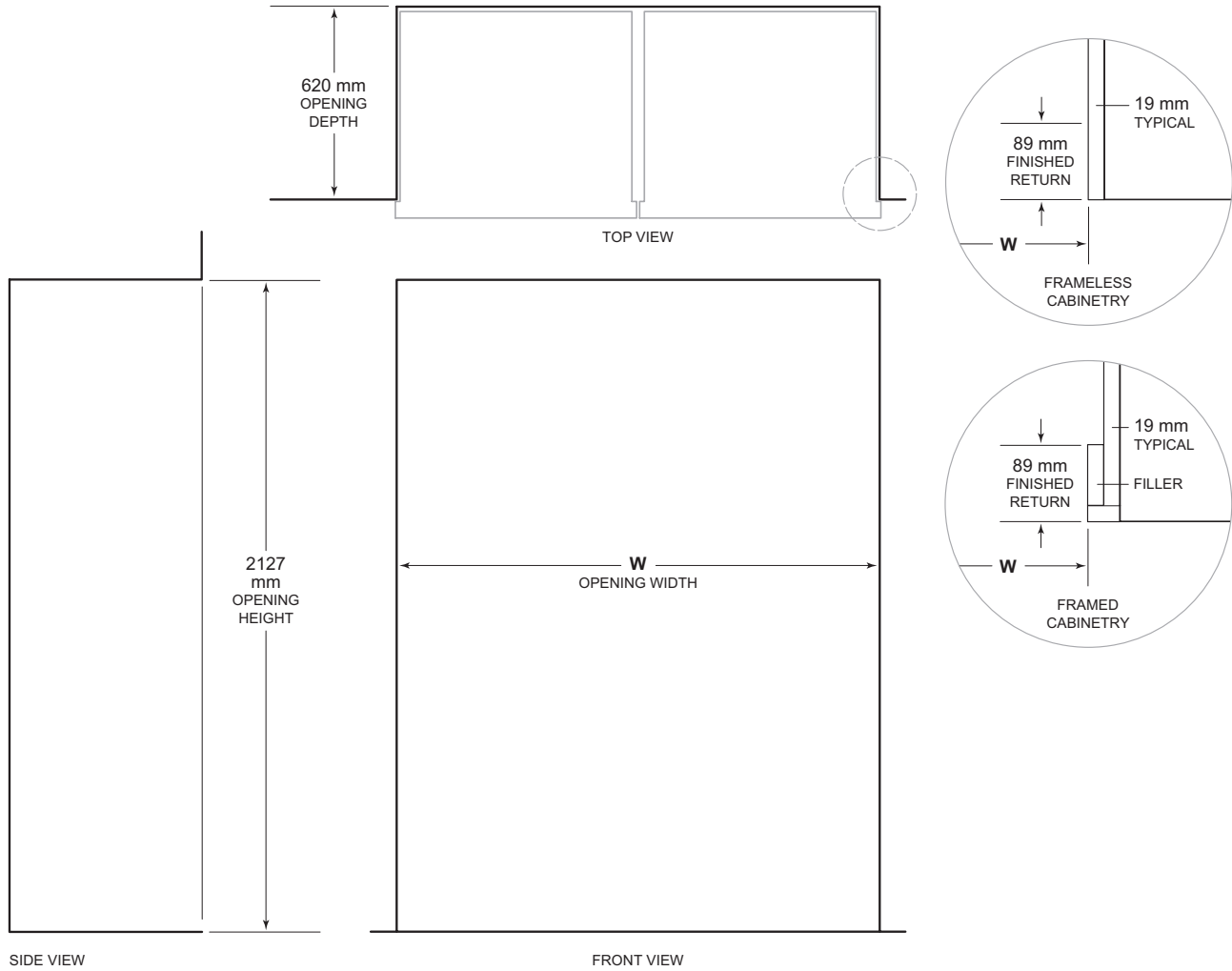
NOTE: 89 mm finished returns will be visible and should be finished to match cabinetry.  
Shaded line represents profile of unit.

OPENING WIDTH	W
914 mm Model	902 mm
1067 mm Model	1054 mm
1219 mm Model	1206 mm

If two units are installed side by side, refer to page 10 for dual standard installations.

## Opening Dimensions

### DUAL STANDARD INSTALLATION



NOTE: 89 mm finished returns will be visible and should be finished to match cabinetry.  
Shaded line represents profile of unit.

#### DUAL OPENING WIDTH

W

A dual installation kit is required for this installation.

Two 914 mm Models

1822 mm

Models ICBCL3650R, ICBCL3650F



## Electrical Requirements

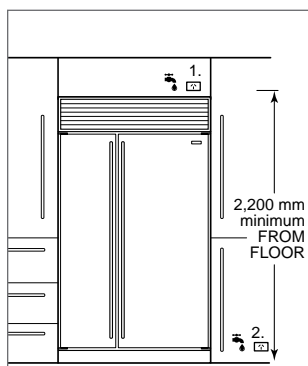
Installation must comply with all applicable electrical codes.

International models from the factory require a 220-240 V AC, 50/60 Hz electrical supply, fused at the correct rating for the unit. If required by local or national codes, the power cord can be easily replaced using the power inlet device.

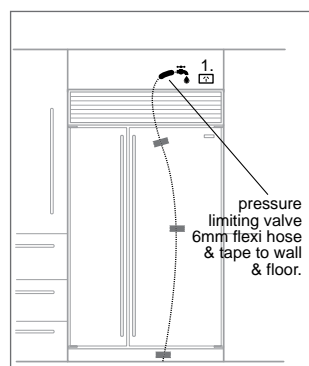
The electrical supply should be easily accessible and positioned either in a cabinet above the refrigerator, **a minimum of 2200mm above the floor** or in adjacent cabinet. If freestanding then locate the powerpoint as per the diagram below.

### ELECTRICAL REQUIREMENTS

Electrical Supply	220-240 V AC, 50/60 Hz
Service	10 amp
Receptacle	3-prong grounding-type (earthed)



Classic Series. Alternative locations of power & water supply depending on ease of access.



1. Classic Series. Water supply above fridge. Location of 6mm flexible hose. Tape to wall and floor with pressure limiting valve next to tap.

## Plumbing Requirements

Installation must comply with all applicable plumbing codes.

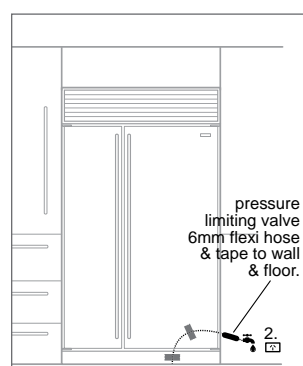
For Classic Series models with an automatic ice maker, a pressure limiting valve and 5 metres of flexible 6mm pipe with fittings is included in the refrigerator carton. Connect the pressure limiting valve close to the water tap, **checking the water flow is in the right direction. Ensure water connection is 1/2" BSP male threaded outlet.** Fix the 6mm water line to the wall and floor to ensure it is not compressed when the refrigerator is pushed into the cavity.

The water tap should be easily accessible and positioned either in a cabinet above the refrigerator, **a minimum of 2200mm above the floor**, or in adjacent cabinet. The water line must not interfere with installation of the anti-tip brackets.

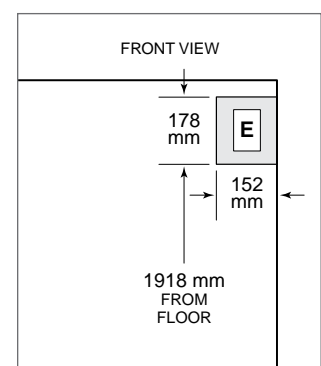
A reverse osmosis system can be used provided there is constant water pressure of 2.4–8.3 bar supplied to the unit at all times. A copper line is not recommended for this application.

### PLUMBING REQUIREMENTS

Water Supply Line	6.4 mm OD copper, braided stainless steel, or PEX tubing
Water Pressure	2.4–8.3 bar
Excess Line for Connection	.9 m



2. Classic Series. Water supply beside fridge. Location of 6mm flexible hose. Tape to wall and floor with pressure limiting valve next to tap.

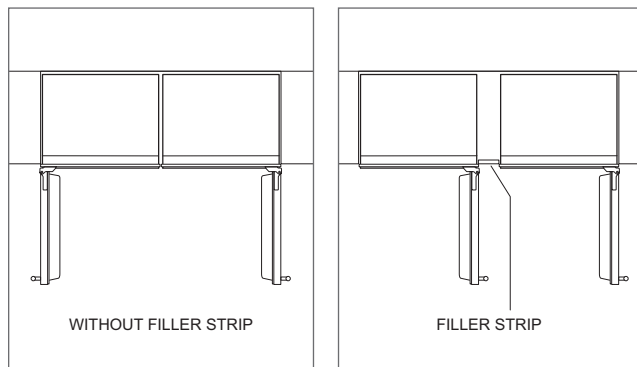


Freestanding location of power supply.

## Dual Installation

If two units are installed side by side, a dual installation kit may be required. Installations without a custom filler strip require a dual installation kit. If a dual installation kit is not specified, a 51 mm filler strip is recommended between the units. A custom filler strip is required when installing two French door or side-by-side models. Dual installations without a filler strip can only be accomplished using two units with opposite hinges. Refer to the illustrations below.

Dual installation kits are available through an authorized Sub-Zero dealer.



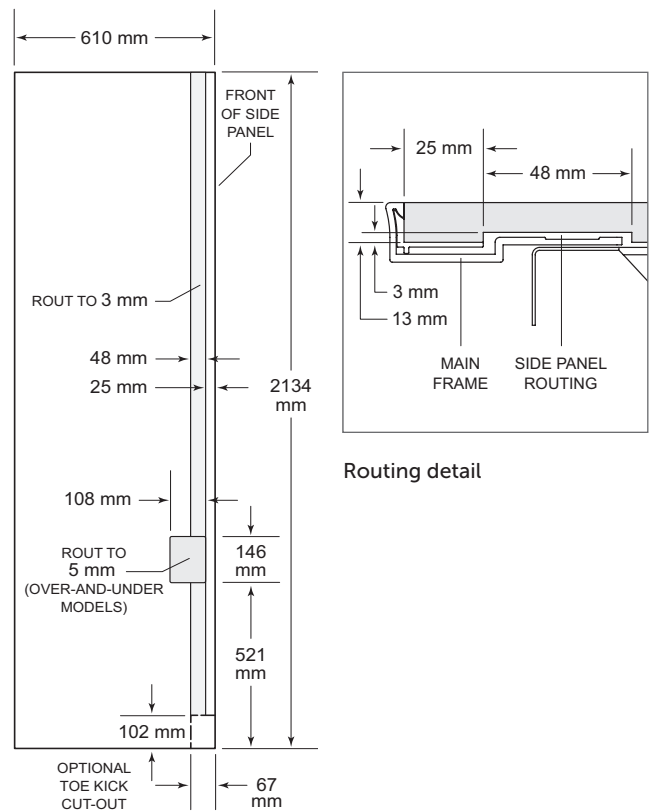
Opposite hinges

Same side hinges

## Side Panel

The custom side panels must be a minimum of 610 mm deep and 13 mm thick. Routing will be necessary for the side panel to fit flush against the side of the unit. Refer to the illustrations below.

When installing a Classic series unit with a custom side panel, an accessory kit is required. Stainless steel side panels are available through an authorized Sub-Zero dealer.



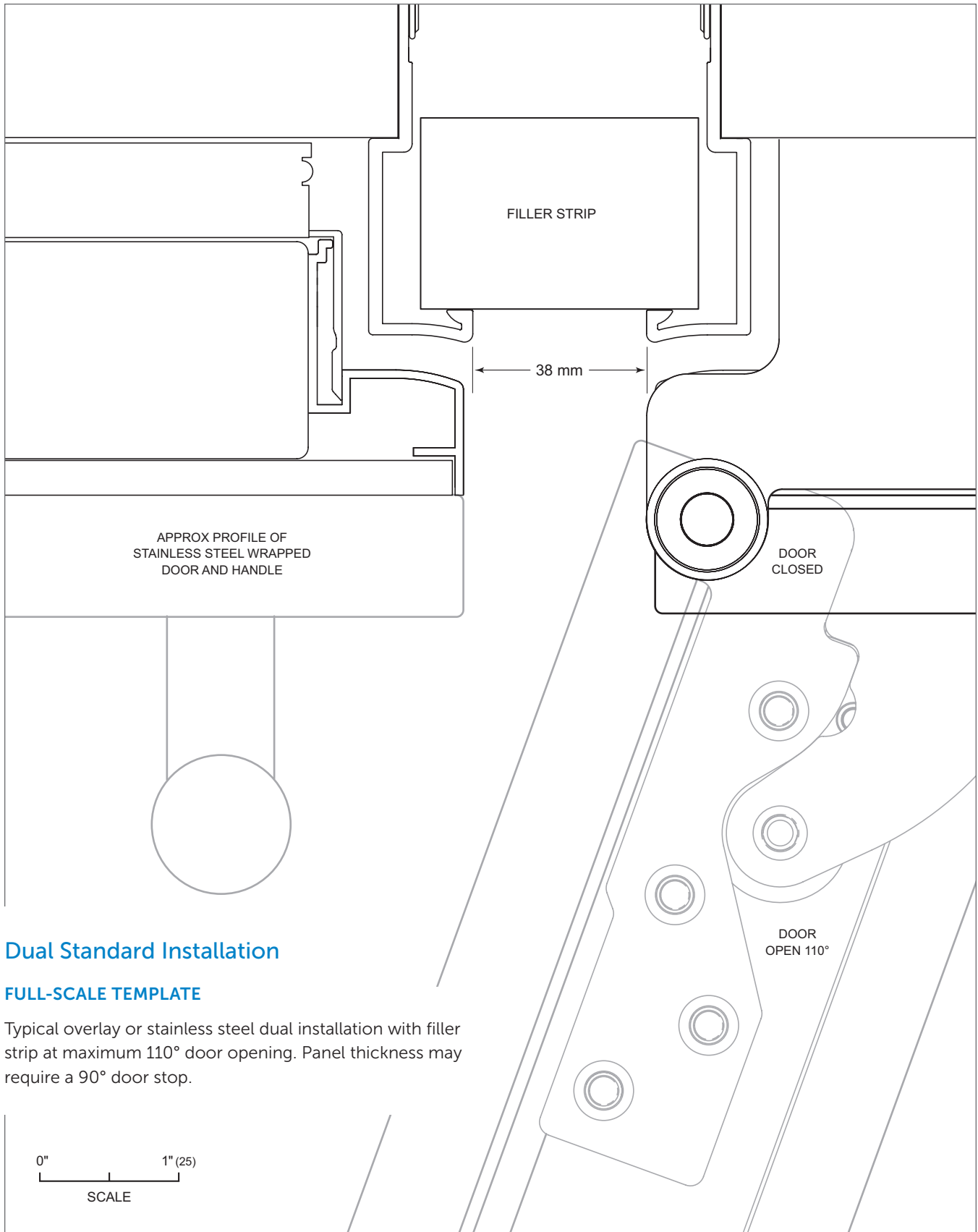
Side panel dimensions

Routing detail

## Standard Handles

Optional stainless steel tubular and pro handles are available through an authorized Sub-Zero dealer. Refer to the chart below for standard handle lengths.

<b>HANDLE LENGTH</b>	<b>TUBULAR</b>	<b>PRO</b>
Full Door	1622 mm	1147 mm
Over-and-Under Door	1124 mm	952 mm
914 mm Drawer	770 mm	600 mm
1067 mm Drawer	922 mm	753 mm



## Dual Standard Installation

### FULL-SCALE TEMPLATE

Typical overlay or stainless steel dual installation with filler strip at maximum 110° door opening. Panel thickness may require a 90° door stop.

Dual standard installation (top view)

## Sub-Zero International Limited Warranty

### FOR RESIDENTIAL USE

These Warranty Terms and Conditions ('Warranty') constitute your agreement with Sub-Zero Group Australia Pty Ltd (ACN 610 807 899) ('Sub-Zero') and will apply to your service order. The benefits given by this Warranty are in addition to all consumer guarantees and other rights and remedies prescribed by the Australian Consumer Law and any other applicable laws.

Our products come with guarantees that cannot be excluded under the Australian Consumer Law. You are entitled to a replacement or refund for a major failure and compensation for any other reasonably foreseeable loss or damage. You are also entitled to have the goods repaired or replaced if the goods fail to be of acceptable quality and the failure does not amount to a major failure.

In addition to your rights and remedies under the Australian Consumer Law, Sub-Zero provides customers with a Warranty where, if any part of a Sub-Zero Product is found upon inspection by an authorised Sub-Zero representative or an associated licensed technician supplied by either Sub-Zero or a relevant approved supplier (including a Sub-Zero factory certified service) ('Service Representative') to be defective in materials or workmanship, Sub-Zero will repair or replace the part free of charge as follows:

#### **FULL TWO YEAR WARRANTY\*** (\*\*Outdoor product full one year warranty)

For two years from the date of original installation, this Sub-Zero product warranty covers all parts and labour to repair or replace, under normal residential use, any part of the product that proves to be defective in materials or workmanship. All service provided by Sub-Zero under the above warranty must be performed by Sub-Zero factory certified service, unless otherwise specified by Sub-Zero, Inc. Where the Service Representative is unable to identify any fault in the product, Sub-Zero may require the consumer to provide proof that the product is defective. For the avoidance of doubt, defective products or parts become Sub-Zero's property. Service will be provided during normal business hours.

#### **FULL FIVE YEAR SEALED SYSTEM WARRANTY\***

For five years from the date of original installation, this Sub-Zero product warranty covers all parts and labour to repair or replace, under normal residential use, these parts that prove to be defective in materials or workmanship: compressor, condenser, evaporator, drier and all connecting tubing. All service provided by Sub-Zero under the above warranty must be performed by Sub-Zero factory certified service, unless otherwise specified by Sub-Zero, Inc. Where the Service Representative is unable to identify any fault in the product, Sub-Zero may require the consumer to provide proof that the product is defective. For the avoidance of doubt, defective products or parts become Sub-Zero's property. Service will be provided during normal business hours.

#### **TERMS APPLICABLE TO EACH WARRANTY\***

The warranty applies only to products installed for normal residential use. This warranty does not cover any parts or labour to correct any defect caused by negligence, accident or improper use, maintenance, installation, service or repair.

#### **CLAIM PROCEDURE\***

In order to claim the Warranty, you must cease using the product when a fault arises, contact Sub-Zero or authorised Sub-Zero dealer where the product was purchased to report the issue and follow Sub-Zero's directions regarding what to do next. Sub-Zero's general contact details are as follows:

Sub-Zero Group Australia  
11-19 Bank Place  
Melbourne VIC 3000  
Phone: 03 9600 2218 Email: serviceAU@subzero.com

#### **CLAIM PROCEDURE\***

Except to the extent required by law, all consumer guarantees, representations, warranties, terms and conditions in relation to the products (whether implied or otherwise) are hereby excluded to the maximum extent permitted by law.

To the fullest extent permitted by law, Sub-Zero excludes all liability for damage or injury to any person, damage to any property and any indirect consequential or other loss or damage.

\*Stainless steel (doors, panels, handles, product frames and interior surfaces) are covered by a limited 60-day parts and labour warranty for cosmetic defects.

\*Replacement water filters and air purification cartridges are not covered by the product warranty.

\*\*Full one year warranty applies to outdoor product. Product must be approved for outdoor use, designated by model and serial number.

