



Design Guide

Dual Fuel Ranges

ICB REVISED 7/2022



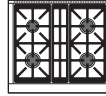
Dual Fuel Ranges

Dual Fuel Ranges

Discover a new world of cooking—the best of two worlds, actually—with a Wolf Dual Fuel Range. Topside, gas cooking in all its glory, with the fine control of dual-stacked, sealed burners and options including charbroiler and griddle. Below, that marvel of culinary technology, the Wolf convection electric oven. Its two fans and four heating elements let you select from ten cooking modes so you can choose the one precisely suited to the dish you're preparing. The ovens are self-cleaning. With a variety of range widths to choose from, kitchens large and small become gateways to the exciting new world of dual fuel cooking. All models are constructed of stainless steel and can be ordered in natural or LP gas.

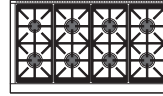
CONFIGURATIONS

76 cm RANGE



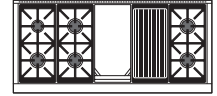
ICBDF30450/S/P

122 cm RANGE



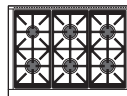
ICBDF48850/S/P

152 cm RANGE

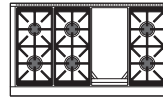


ICBDF60650CG/S/P

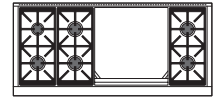
91 cm RANGE



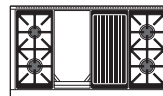
ICBDF36650/S/P



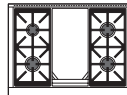
ICBDF48650G/S/P



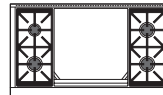
ICBDF60650DG/S/P



ICBDF48450CG/S/P



ICBDF36450G/S/P



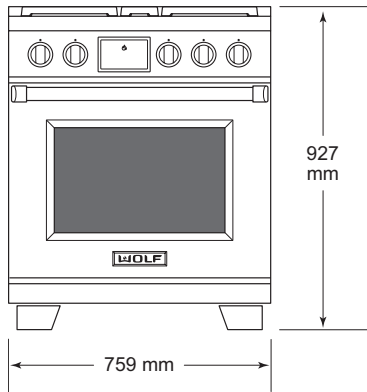
ICBDF48450DG/S/P

Features and specifications are subject to change at any time without notice.

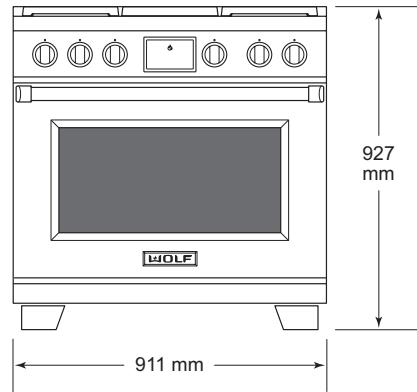
Throughout this guide, dimensions may vary by ± 3 mm.

Overall Dimensions

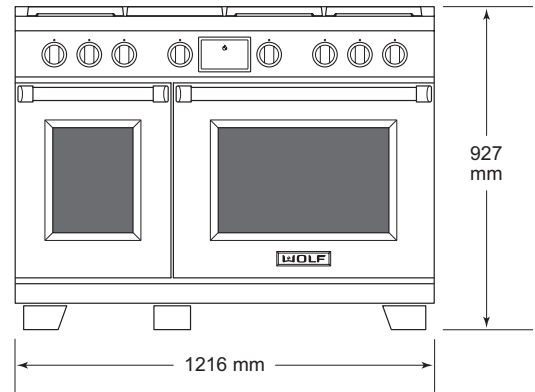
76 cm RANGE



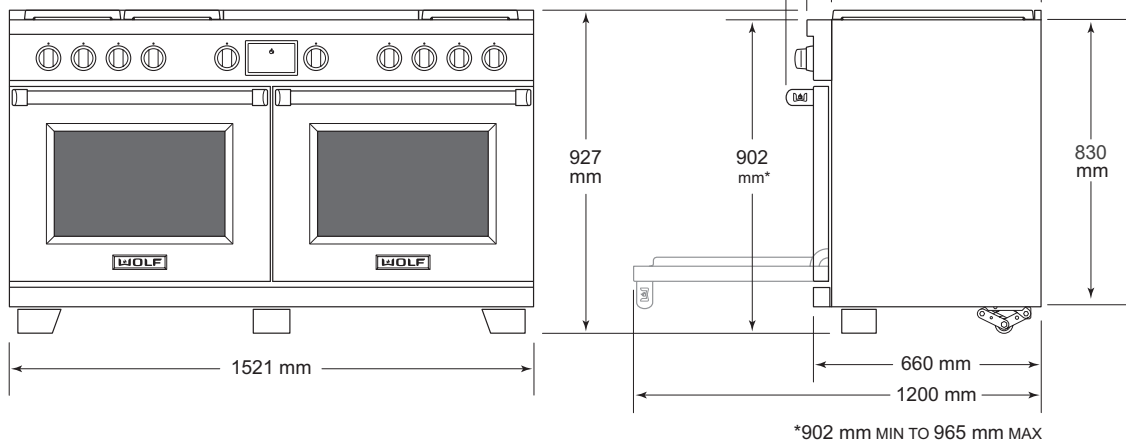
91 cm RANGE



122 cm RANGE



152 cm RANGE



SIDE VIEW—ALL RANGES

Features and specifications are subject to change at any time without notice.

Throughout this guide, dimensions may vary by ± 3 mm.

Planning Information

When installing against a combustible surface, a minimum 254 mm riser is required for a 91 cm Wolf Dual Fuel Range with charbroiler or griddle and all 122 cm and 152 cm models. Follow all minimum clearances to combustible surfaces shown in the illustration on the following page.

ELECTRICAL REQUIREMENTS

Installation must comply with all applicable electrical codes and be properly grounded (earthed).

Locate the electrical supply flush with the wall or floor and within the shaded area shown in the illustration on the following page. A separate circuit servicing only this appliance is required.

Performance may be compromised if the electrical supply is less than 240 volts.

ELECTRICAL REQUIREMENTS

ELECTRICAL SUPPLY

Single Phase	220–240 V AC, 50/60 Hz
3-Phase	380–415 V AC, 50 Hz

MAX CONNECTED LOAD	SINGLE PHASE	3-PHASE
76 cm Range	20.5 A	19.2 A
91 cm Range	20.5 A	19.2 A
122 cm Range	38.9 A	19.2 A
152 cm Range	40.8 A	19.2 A

GAS REQUIREMENTS

Installation must conform with all applicable gas codes.

Locate the gas supply within the shaded area shown in the illustration on the following page.

A gas supply line of 19 mm rigid pipe must be provided to the range. If local codes permit, a certified, .9 m long, 13 mm or 19 mm ID flexible metal appliance connector is recommended to connect the units ISO 7/1-14 (1/2" BSP) female inlet to the gas supply line.

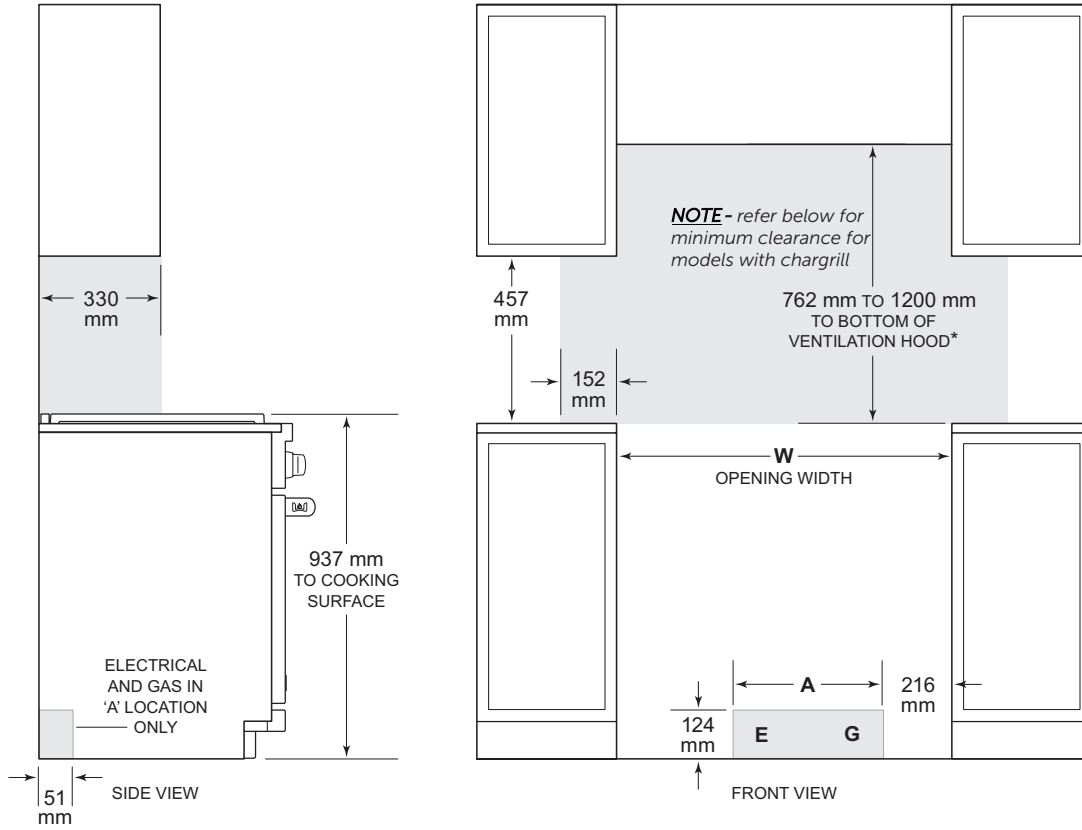
GAS SUPPLY PRESSURE

GAS SUPPLY PRESSURE	WC
Natural Gas	1 kPa
LP Gas	2.75 kPa

Dual Fuel Ranges

Dual Fuel Range

INSTALLATION



*Without ventilation hood, 914 mm minimum clearance countertop to combustible materials, 1200 mm for chargrill (broiler).

NOTE: Shaded area above countertop indicates minimum clearance to combustible surfaces. Combustible materials cannot be located within this area.

For island installation, 305 mm minimum clearance back of range to combustible rear wall above countertop.

AUSTRALIA ONLY

Note - A minimum of clearance of 1200mm is required from the chargrill burner to the filter of the rangehood.

OPENING WIDTH	W	A
76 cm Range	762 mm	260 mm
91 cm Range	914 mm	413 mm
122 cm Range	1219 mm	464 mm
152 cm Range	1524 mm	464 mm

Wolf Appliance International Limited Warranty

FOR RESIDENTIAL USE

These Warranty Terms and Conditions ('Warranty') constitute your agreement with Sub-Zero Group Australia Pty Ltd (ACN 610 807 899) ('Wolf') and will apply to your service order. The benefits given by this Warranty are in addition to all consumer guarantees and other rights and remedies prescribed by the Australian Consumer Law and any other applicable laws.

Our products come with guarantees that cannot be excluded under the Australian Consumer Law. You are entitled to a replacement or refund for a major failure and compensation for any other reasonably foreseeable loss or damage. You are also entitled to have the goods repaired or replaced if the goods fail to be of acceptable quality and the failure does not amount to a major failure.

In addition to your rights and remedies under the Australian Consumer Law, Wolf provides customers with a Warranty where, if any part of a Wolf product is found upon inspection by an authorised Wolf representative or an associated licensed technician supplied by either Wolf or a relevant approved supplier (including a Wolf factory certified service) ('Service Representative') to be defective in materials or workmanship, Wolf will repair and replace the part as follows:

FULL TWO YEAR WARRANTY* (**Outdoor product full one year warranty)

For two years from the date of original installation, this Wolf Appliance product warranty covers all parts and labour to repair or replace, under normal residential use, any part of the product that proves to be defective in materials or workmanship. All service provided by Wolf Appliance under the above warranty must be performed by Wolf factory certified service, unless otherwise specified by Wolf Appliance, Inc. Where the Service Representative is unable to identify any fault in the product, Wolf may require the consumer to provide proof that the product is defective. For the avoidance of doubt, defective products or parts become Wolf's property. Service will be provided during normal business hours.

LIMITED FIVE YEAR WARRANTY

For five years from the date of original installation, Wolf Appliance will repair or replace the following parts that prove to be defective in materials or workmanship: gas burners (excludes appearance), electric heating elements, blower motors (ventilation hoods), electronic control boards, magnetron tubes and induction generators. If the owner uses Wolf factory certified service, the service provider will repair or replace the above listed parts at no cost with the owner paying for all other costs, including labour. If the owner uses non-certified service, the owner must contact Sub-Zero Group Australia, (using the information below) to receive repaired or replacement parts. Wolf Appliance will not reimburse the owner for parts purchased from non-certified service or other sources.

TERMS APPLICABLE TO EACH WARRANTY

The warranty applies only to products installed for normal residential use. This warranty does not cover any parts or labour to correct any defect caused by negligence, accident or improper use, maintenance, installation, service or repair.

CLAIM PROCEDURE

In order to claim the Warranty, you must cease using the product when a fault arises, contact Sub-Zero or authorised Sub-Zero dealer where the product was purchased to report the issue and follow Sub-Zero's directions regarding what to do next. Sub-Zero's general contact details are as follows:

Sub-Zero Group Australia
11-19 Bank Place
Melbourne VIC 3000
Phone: 03 9600 2218 email: serviceAU@subzero.com

EXCLUSIONS

Except to the extent required by law, all consumer guarantees, representations, warranties, terms and conditions in relation to the products (whether implied or otherwise) are hereby excluded to the maximum extent permitted by law.

To the fullest extent permitted by law, Wolf excludes all liability for damage or injury to any person, damage to any property and any indirect consequential or other loss or damage.

*Stainless steel (doors, panels, handles, product frames and interior surfaces) are covered by a limited 60-day parts and labour warranty for cosmetic defects.

** Full one year warranty applies to outdoor product. Product must be approved for outdoor use, designated by model and serial number.



