

# GAS COOKTOPS

## INSTALLATION INSTRUCTIONS

### Model numbers

ICBCG15

ICBCG304

ICBCG365

This cooktop is approved for use with  
Natural Gas & Propane Gas.  
Leave instructions with the owner.





## CONTACT INFORMATION

Sub-Zero Group Australia Pty Ltd  
Level 10, 469 La Trobe Street  
Melbourne Victoria 3000  
Phone 03 9600 2218

[subzero-wolf.com.au](http://subzero-wolf.com.au)

As you follow these instructions, you will notice **WARNING** and **CAUTION** symbols. This blocked information is important for the safe and efficient installation of Wolf equipment. There are two types of potential hazards that may occur during installation.

### **⚠ CAUTION**

signals a situation where minor injury or product damage may occur if you do not follow instructions.

### **⚠ WARNING**

states a hazard that may cause serious injury or death if precautions are not followed.

Another footnote we would like to identify is **IMPORTANT NOTE**: This highlights information that is especially relevant to a problem-free installation.



INSTALLATION REQUIREMENTS

**⚠ WARNING**

This appliance shall be installed in accordance with the regulations in force and only used in a well ventilated space. Read the instructions before installing or using this appliance.

- Installation to be carried out only by an authorised person.
- Do not modify this appliance.
- A ventilation hood is recommended for use with the Wolf gas multi-function cooktop.
- Do not store or use gasoline or other flammable vapors and liquids in the vicinity of this or any other appliance.
- The use of a gas cooking appliance results in the production of heat and moisture in the room in which it is installed. Ensure that the kitchen is well ventilated; keep natural ventilation holes open or install a mechanical ventilation device (mechanical extractor hood).
- Prolonged intensive use of the appliance may require additional ventilation, for example opening of a window, or more effective ventilation, for example increasing the level of mechanical ventilation where present.

WHAT TO DO IF YOU SMELL GAS:

- Do not try to light any appliance.
- Do not touch any electrical switch.
- Do not use any phone in your building.
- Immediately call your gas supplier from a neighbor's phone. Follow the gas supplier's instructions.
- If you cannot reach your gas supplier, call the fire department.
- **Installer:** Please read the entire Installation Instructions prior to installation. Save these instructions for the local inspector's reference, then leave them with the homeowner.
- **Homeowner:** Please read and keep these instructions for future reference and be sure to read the entire Use & Care Information prior to use.

IMPORTANT NOTE:

**Statutory requirements:** This appliance shall be installed in accordance with the manufacturer's installation instructions, local gas fitting regulations and authority, municipal building codes, electrical wiring regulations, and AS/NZ5601 the Australian Standard for gas installations. Refer also to AS/NZ5601 for gas pipe sizing tables.

Not suitable for use in marine craft, caravans or mobile homes, unless each burner is fitted with a flame safeguard.



**RATING PLATE INFORMATION**

**Model Number**

\_\_\_\_\_

**Serial Number**

\_\_\_\_\_

**BEFORE YOU START**

- Proper installation is your responsibility. Have a qualified person install this cooktop. You must also assure that electrical installation is adequate and in compliance with all local codes and ordinances.
- Prior to installation, ensure that the local distribution conditions (nature of the gas and gas pressure) and the adjustment of the appliance are compatible.
- Proper gas supply connection must be available; refer to Gas Supply Requirements on page 10. Electrical ground is required; see Electrical Requirements on page 11.
- The adjustment conditions for this appliance are stated on the label (or rating plate). The data plate can be found on the underside of the cooktop.

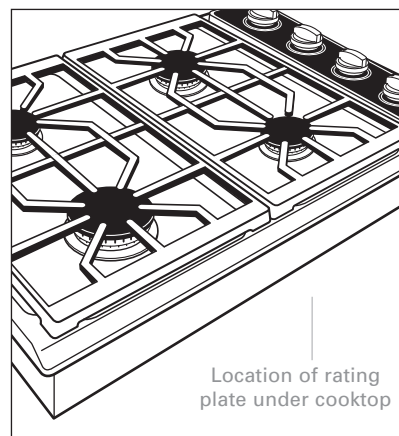
**IMPORTANT NOTE:**

This manual covers installation instructions for three cooktop models. i.e.:

2 burner cooktop - model ICBCG15

4 burner cooktop - model ICBCTG304

5 burner cooktop - model ICBCG365



**Rating plate location**

## INSTALLATION INSTRUCTIONS



### BEFORE YOU START

- Check the location where the cooktop will be installed. The location should be away from strong draft areas, such as windows, doors and strong heating vents or fans. Do not obstruct flow of combustion and ventilation air.
- This appliance is not connected to a combustion products evacuation device. It shall be installed and connected in accordance with current installation regulations. Particular attention shall be given to the relevant requirements regarding ventilation.

#### **⚠ WARNING**

This cooktop is intended for indoor use.

### SITE PREPARATION

#### COUNTERTOP CUT-OUT DIMENSIONS

**IMPORTANT NOTE:** Countertop opening dimensions shown on the following pages must be used. The dimensions shown provide for required clearances.

These cooktops are designed to fit a standard 610 mm deep base cabinet with a 635 mm deep countertop. Before making the countertop cut-out, verify that the cooktop will clear the side walls of the base cabinet below. There should be at least 140 mm clearance between the countertop and any combustible surface directly below the unit.

**IMPORTANT NOTE:** Do not seal the cooktop to the countertop. It must be removed if service is necessary.

### LOCATION REQUIREMENTS

Illustrations on the following pages provide the overall dimensions, countertop cut-out and installation specifications for Wolf gas cooktops. Maintain the following minimum installation dimensions:

- Minimum horizontal clearance from the sides and back of the cooktop cut-out to adjacent vertical combustible construction, extending a minimum of 457 mm above the countertop, is as follows: 178 mm from side edges of cut-out for the 381 mm cooktop; 229 mm from side edges of cut-out for the 762 mm and 914 mm cooktops; 64 mm from rear edge of cut-out.
- Minimum vertical distance between the countertop and combustible materials above the cooktop must be 762 mm.
- Maximum 330 mm depth of overhead side cabinets directly above and within side clearance.

**IMPORTANT NOTE:** When installing a ventilation hood, refer to the specific requirements of the hood for the minimum dimension to countertop.

#### **⚠ WARNING**

Failure to locate the cooktop without the proper clearances will result in a fire hazard.

# WOLF GAS COOKTOPS



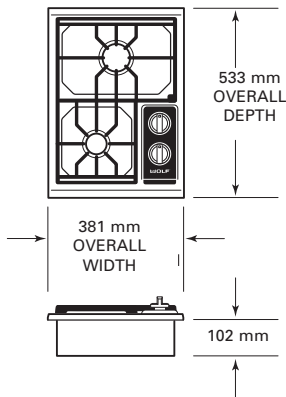
## INSTALLATION SPECIFICATIONS

The illustrations below provide the overall dimensions, countertop cut-out and installation specifications for Model ICBCG15G

For Model ICBCG15, the gas service may be supplied through the floor if the cooktop is not installed above an oven. Refer to the illustration for specifics on placement of gas and electrical.

**IMPORTANT NOTE:** When multiple cooktop units are installed side by side, refer to the countertop cut-out dimensions on page 9.

### INSTALLATION SPECIFICATIONS - MODEL ICBCG15G/S

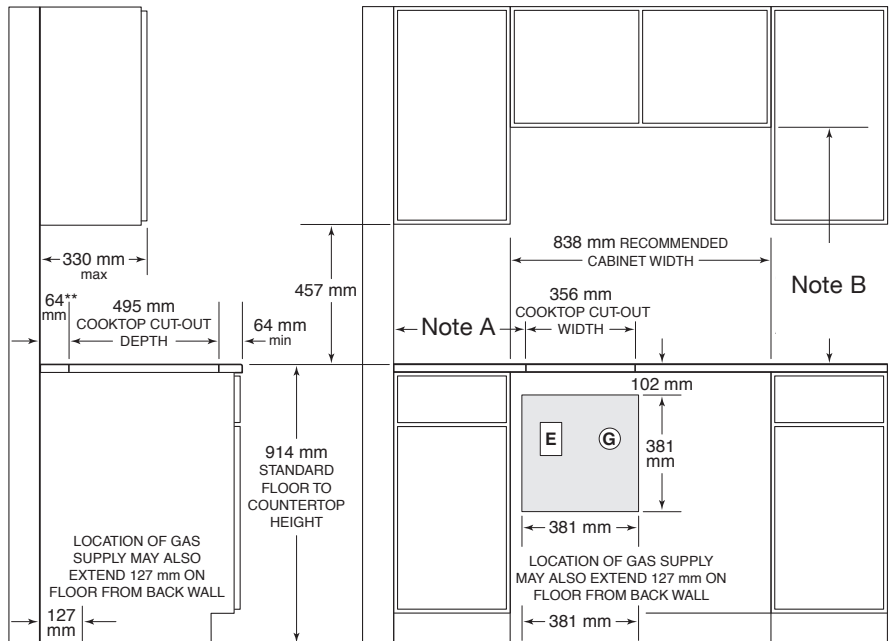


Overall Dimensions

#### MODEL ICBCG15 DIMENSIONS

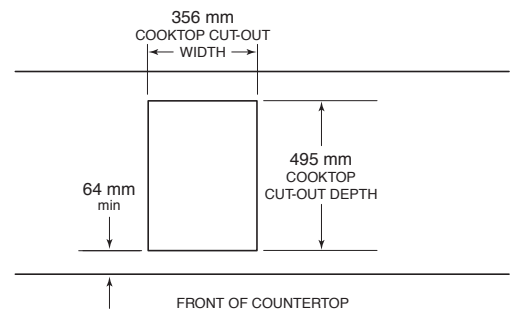
Overall Width	381 mm
Overall Height	102 mm
Overall Depth	533 mm
Recommended Cabinet Width	838 mm
Minimum Cabinet Depth	578 mm
Minimum Height Clearance	102 mm
Cut-Out Width	356 mm
Cut-Out Depth	495 mm

Unit dimensions may vary to  $\pm 3$  mm.



NOTE: Application shown allows for installation of two 381 mm modules side-by-side with 838 mm recommended cabinet width. 457 mm recommended cabinet width for installation of single 381 mm cooktop or module. \*Minimum clearance from both side edges of cooktop cut-out to combustible materials up to 457 mm above countertop. \*\*Minimum clearance from rear edge of cooktop cut-out to combustible materials up to 457 mm above countertop.

#### Countertop Cut-Out



**Note A:**  
Side clearances. If the distance measured from the periphery of the nearest burner to any vertical surface is less than 200 mm, the surface shall be protected in accordance of AS/NZ5601.

**Note B:**  
The rangehood fitted above the cooktop must be installed according to the installation instructions for the rangehood. A minimum distance of 600 mm is required for a range hood and 750 mm for an exhaust fan.

## INSTALLATION INSTRUCTIONS



### INSTALLATION SPECIFICATIONS

The illustrations below provide the overall dimensions, countertop cut-out and installation specifications for Model ICBCG304.

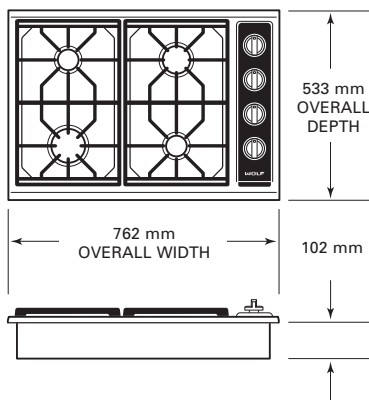
**IMPORTANT NOTE:** 838 mm wide cabinets are recommended for installation of Model ICBCG304.

A Wolf 762 mm single built-in oven may be installed below Model ICBCG304. For this installation, unless you are using cabinets deeper than 610 mm, it is recommended that the electrical and gas supply be placed in the base cabinet to the right of the oven. Refer to installation instructions provided with the built-in oven for additional specifications.

If the Model ICBCG304 is installed above cabinets, the gas and electrical placement is not critical. A grounded outlet needs to be placed within 1.2 m of the right rear of the cooktop.

**IMPORTANT NOTE:** When multiple cooktop units are installed side by side, refer to the countertop cut-out dimensions on page 9.

### INSTALLATION SPECIFICATIONS – MODEL ICBCG304

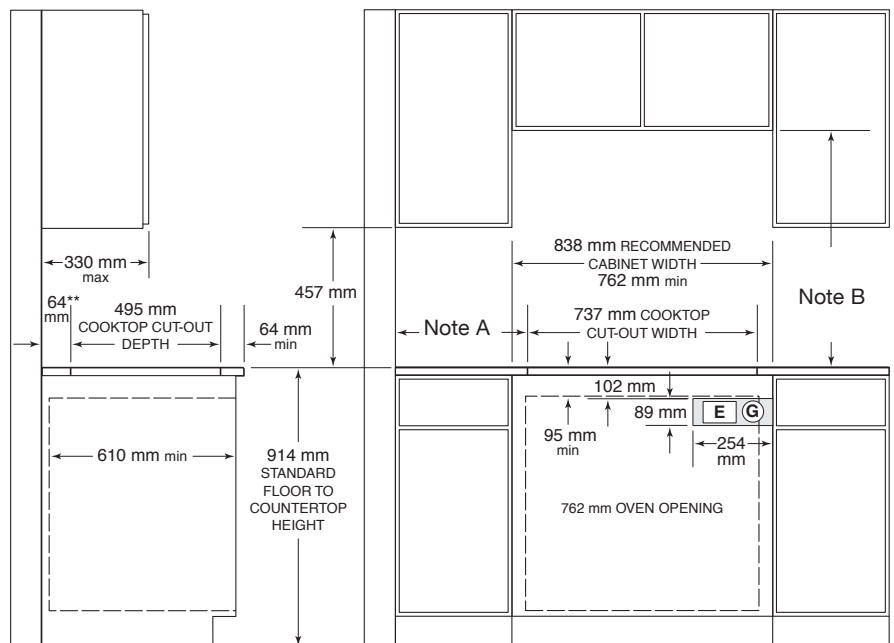


Overall Dimensions

#### MODEL ICBCG304 DIMENSIONS

Overall Width	762 mm
Overall Height	102 mm
Overall Depth	533 mm
Recommended Cabinet Width	838 mm
Minimum Cabinet Depth	578 mm
Minimum Height Clearance	102 mm
Cut-Out Width	737 mm
Cut-Out Depth	495 mm

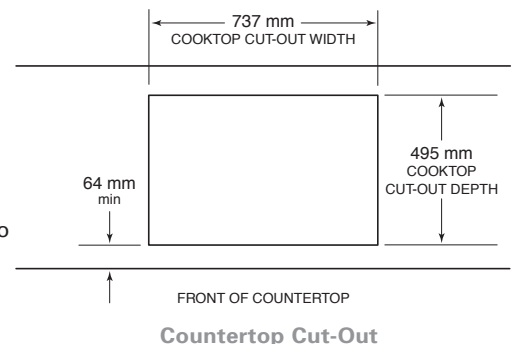
Unit dimensions may vary to  $\pm 3$  mm.



\*Minimum clearance from both side edges of cooktop cut-out to combustible materials up to 457 mm above countertop.  
 \*\*Minimum clearance from rear edge of cooktop cut-out to combustible materials up to 457 mm above countertop.

**Note A:** Side clearances. If the distance measured from the periphery of the nearest burner to any vertical surface is less than 200 mm, the surface shall be protected in accordance of AS/NZ5601.

**Note B:** The rangehood fitted above the cooktop must be installed according to the installation instructions for the rangehood. A minimum distance of 600 mm is required for a range hood and 750 mm for an exhaust fan.



## WOLF GAS COOKTOPS



### INSTALLATION SPECIFICATIONS

The illustrations below provide the overall dimensions, countertop cut-out and installation specifications for Model ICBCG365.

**IMPORTANT NOTE:** 991 mm wide cabinets are recommended for installation of Model ICBCG365.

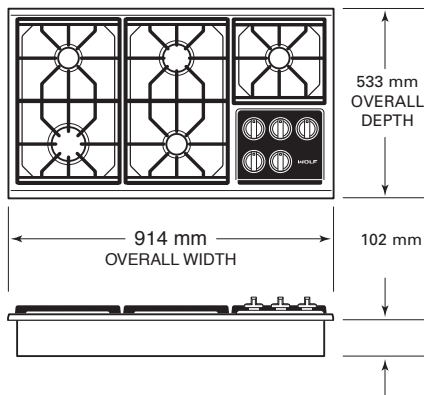
A Wolf 914 mm built-in oven may be installed below Model ICBCG365. For this installation, unless you are using cabinets deeper than 610 mm, it is recommended that the electrical and gas supply be placed in the base cabinet to the right of the oven. Refer to installation instructions provided with the built-in oven for additional specifications.

If the Model ICBCG365 is installed above cabinets, the gas and electrical placement is not critical. A grounded outlet needs to be placed within 1.2 m of the right rear of the cooktop.

When a 914 mm built-in oven is installed below Model ICBCG365, it is recommended that the rough opening for the oven be 197 mm from the floor to ease the use of the oven door.

**IMPORTANT NOTE:** When multiple cooktop units are installed side by side, refer to the countertop cut-out dimensions on page 9.

### INSTALLATION SPECIFICATIONS – MODEL ICBCG365

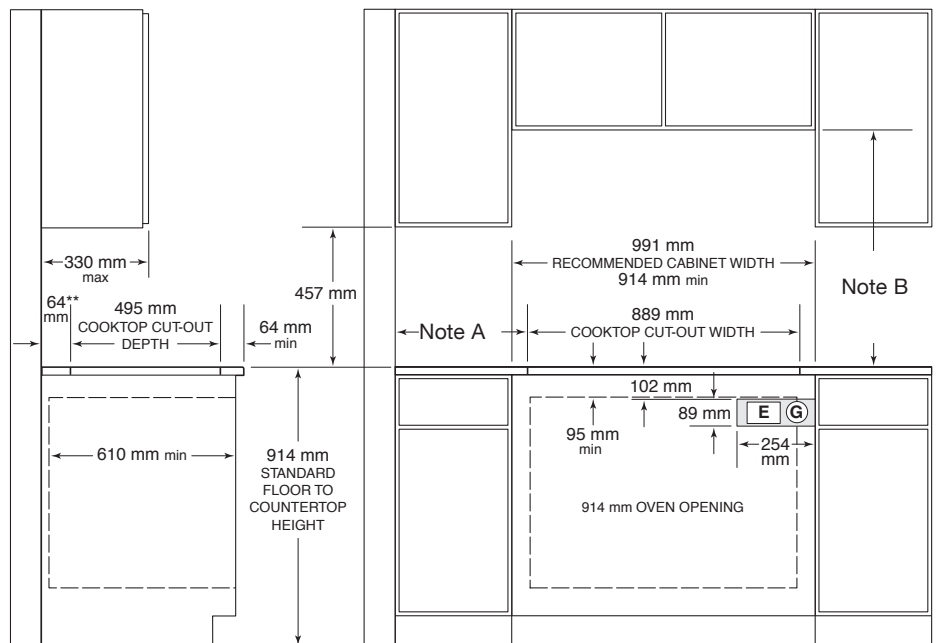


#### Overall Dimensions

#### MODEL ICBCG365 DIMENSIONS

Overall Width	914 mm
Overall Height	102 mm
Overall Depth	533 mm
Recommended Cabinet Width	991 mm
Minimum Cabinet Depth	578 mm
Minimum Height Clearance	102 mm
Cut-Out Width	889 mm
Cut-Out Depth	495 mm

Unit dimensions may vary to  $\pm 3$  mm.



\*Minimum clearance from both side edges of cooktop cut-out to combustible materials up to 457 mm above countertop.

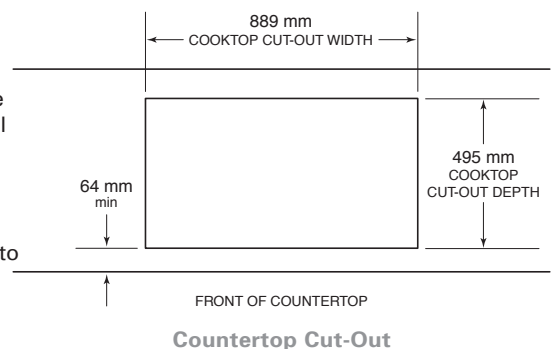
\*\*Minimum clearance from rear edge of cooktop cut-out to combustible materials up to 457 mm above countertop.

#### Note A:

Side clearances. If the distance measured from the periphery of the nearest burner to any vertical surface is less than 200 mm, the surface shall be protected in accordance of AS/NZ5601.

#### Note B:

The rangehood fitted above the cooktop must be installed according to the installation instructions for the rangehood. A minimum distance of 600 mm is required for a range hood and 750 mm for an exhaust fan.



Countertop Cut-Out





## MULTIPLE UNIT INSTALLATION

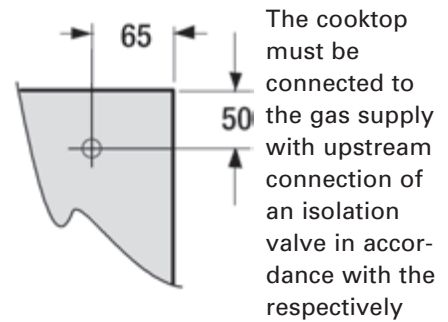
installed side by side, each unit must have its own separate recommended electrical circuit.

When two or more modules are installed together, an integrated module filler strip (IFILLER/S) is recommended. Contact your Wolf dealer for information on these accessory components.

according to the specific installation.

### Gas connection:

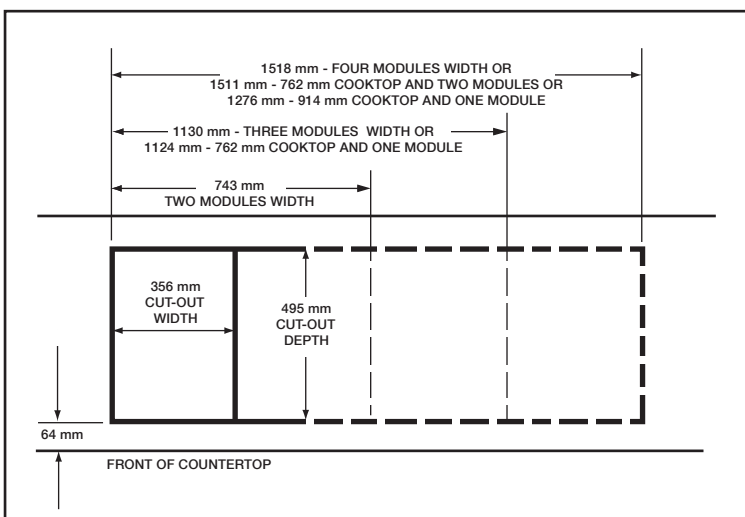
The cooktop is adjusted to operate on the gas type specified on the gas type label located on the bottom of the unit. If in doubt as to the type of gas available contact the network operator or gas supplier for confirmation of gas type.



valid regulations. We recommend that the isolation valve be fitted prior to the cooktop to enable isolation of the cooktop from the gas supply. The valve must be easily accessible at all times.

This appliance may be connected with a hose assembly, class B or class D. If connected with a hose assembly ensure that the gas supply connection point is accessible with the appliance installed.

The hose assembly must be as short as practical and comply with relevant AS/NZ5601 requirements. The hose must not be kinked, subjected to abrasion or permanently deformed. The hose must not be near of a metal hotplate, flue or underbench oven etc. or in contact with any hot surfaces;; such as the base



Countertop cut-out dimensions for installation of multiple cooktops

The position of the inlet connection is measured from bottom RH rear of unit, 50 mm centre line from rear and 65 mm centre line from RH side.

**IMPORTANT  
NOTE**

This installation must conform with local codes and ordinances.

**GAS SUPPLY REQUIREMENTS****⚠ WARNING****EXPLOSION HAZARD—**

Securely tighten all external gas connections.

Failure to do so can result in explosion, fire or death.

**IMPORTANT NOTE:** The gas cooktop must be connected to a regulated gas supply.

**IMPORTANT NOTE:** This installation must conform with local codes and ordinances.

**IMPORTANT NOTE:** The natural gas cooktop is rated for elevations up to 2438 m without adjustment. Install a high altitude kit for elevations from 2438 to 3084 m. The LP gas cooktop is rated for 3084 m.

The rating plate, located on the underside of the burner box, has information on the type of gas that should be used. If this information does not agree with the type of gas available, check with the local gas supplier.

Provide a gas supply line of 19 mm rigid pipe to the cooktop location. A smaller size pipe on long runs may result in insufficient gas supply. Pipe joint compounds, suitable for use with LP gas should be used. For LP gas, piping or tubing size can be 13 mm minimum. LP gas suppliers usually determine the size and materials used on the system.

If local codes permit, a flexible metal appliance connector is recommended for connecting this cooktop to the gas supply line. Do not kink or damage the flexible connector when moving the cooktop. You will need to determine the fittings required, depending on the size of your gas supply line, flexible metal connector and shut-off valve.

If rigid pipe is used as a gas supply line, a combination of pipe fittings must be used to obtain an in-line connection to the cooktop. All strains must be removed from the supply and gas lines so the cooktop will be level and in line.

**GAS RATING**

Refer to page 14

**Appliance Commissioning**

Apply the duplicate self adhesive data plate supplied with the manual, to an adjacent cupboard door.

**Adjusting Inlet Regulator** - Adjust the inlet pressure regulator until the test point pressure is 1 kPa for NG and 2.75 kPa for Propane with 2 semi rapid burners set at maximum rate.

## ELECTRICAL REQUIREMENTS

### **⚠ WARNING**

#### **ELECTRICAL SHOCK HAZARD—**

The appliance is supplied with a cord and female plug to connect to the appliance. The appliance can be hard wired to a terminal box or be fitted with an approved 10 amp 3 pin insulated plug. Do not remove ground prong. Supply must be properly earthed, failure to follow these instructions can result in electric shock, fire or death

**IMPORTANT NOTE:** If codes permit and a separate ground wire is used, it is recommended that a qualified electrician determine that the ground path is adequate.

**IMPORTANT NOTE:** Check with a qualified electrician if you are not sure whether the cooktop is properly grounded.

**IMPORTANT NOTE:** Do not ground to a gas pipe.

A 240 V AC, 10 Amp, fused electrical supply is required. A time-delay fuse or circuit breaker is recommended. It is recommended that a separate circuit serving only this appliance be provided.

Electronic ignition systems operate within wide voltage limits, but proper ground and polarity are necessary. In addition to checking that the outlet provides 240 VAC power and is correctly grounded, the outlet must be checked by a qualified electrician to see if it is wired with correct polarity. A wiring diagram is provided in the literature package. The internal wiring of the appliance is ; Active - Black  
Neutral - White  
Earth - Green

This appliance, when installed, must be electrically grounded in accordance with local codes.

## RECOMMENDED GROUND METHOD

**IMPORTANT NOTE:** For your personal safety, this cooktop must be grounded.

To minimize possible shock hazard, the cord must be hard wired or an approved 3 pin insulated plug fitted and plugged into a mating 3-prong ground-type outlet, grounded in conformance with all local codes and ordinances. If a mating outlet is not available, it is the obligation of the customer to have a properly grounded, 3-prong outlet or hard wired by a qualified electrician.

**IMPORTANT NOTE:** If product is connected to a GFCI protected outlet, nuisance tripping of power supply may occur, resulting in loss of product operation.

## WIRING DIAGRAM

A wiring diagram covering the control circuit for each Wolf gas cooktop model can be found on page 15.

## WIRING CONNECTIONS

Active - Brown or Red  
Neutral - Blue or Black  
Earth Green and Yellow



## WOLF GAS COOKTOPS



### COOKTOP INSTALLATION

Remove the cooktop, burner grates and burner caps from the shipping package.

Lower the cooktop into the countertop cut-out opening. Center the cooktop in the opening and check that the front edge of cooktop is parallel to the front edge of the countertop. Check that all required clearances are met. Use a pencil to outline the rear edge of the cooktop on the countertop. Remove the cooktop from the countertop opening.

**IMPORTANT NOTE:** When repositioning the cooktop in the countertop cut-out opening, lift the entire cooktop up from the opening to prevent scratching the countertop.

Remove the foam strip from the hardware package. Apply the foam strip around the bottom of the burner box flush with the edge as shown in the illustration below.

Reinsert the cooktop into the countertop opening. Check that the cooktop is parallel to the front edge of the countertop. Lift the entire cooktop to make adjustments and align the rear edge with the pencil line.

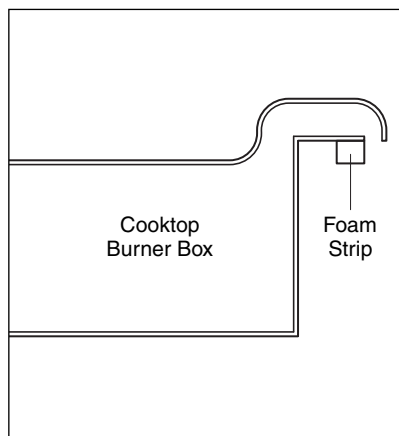
Attach the brackets to the burner box. Insert the 89 mm clamping screws into the brackets. Use a screwdriver to tighten the clamping screws against the underside of the countertop. Refer to the illustration below. Do not overtighten screws.

### GAS LEAK TESTING

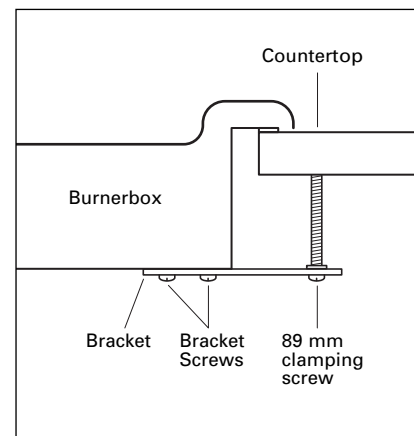
Use a brush and liquid detergent to test all gas connections for leaks. Bubbles around connections will indicate a leak. If a leak appears, shut off gas valve controls and adjust connections. Then check connections again. Clean all the detergent solution from the cooktop.

#### **⚠ WARNING**

**Never test for a gas leak with a match or other flame.**



Foam strip application







Bracket installation


## INSTALLATION INSTRUCTIONS



### COOKTOP OPERATION

The cooktop burner uses an electronic igniter in place of a standing pilot. When the cooktop control knob is pushed in and turned to the  position, the system creates a spark to light the burner. This sparking continues for 4 seconds or until the electronic ignition senses a flame, whichever comes first. If the igniter fails to ignite the gas in 4 seconds, the gas safety shutoff valve will close, eliminating the gas flow for 5 seconds. The valve will reopen after the purge time of 5 seconds, and the igniter will automatically attempt to re-ignite the gas. This cycle of events is attempted 3 times. After the third attempt, in order for gas to flow to the burner once again, the user must return the knob to the  position and then turn the knob to the  position.

To check operation of the cooktop burner, push in and turn the control knob to the  position. The flame should light within four seconds.

If the burner does not light properly, turn the control knob to the  position. Check that the burner head is in the proper position. Check that the power supply cord is plugged in and that the circuit breaker or house fuse has not blown.

Check operation again; if flame is not established within the ignition cycle time, release the knob, open a door and wait 1 minute before attempting a new ignition procedure.

If the flames are extinguished - for any reason whatever - turn OFF the control knob and wait at least 1 minute before retrying to ignite the burner.

Ensure that the flames do not extinguish when you reduce to low flame quickly. Check correct operation of each burner individually and in combination.

### FLAME HEIGHT AND APPEARANCE

The flame on natural gas should be blue with a deeper blue core and no yellow tipping. If burners show any abnormality check that burner heads are correctly located and refer to the 'trouble shooting guide' on this page. If satisfactory performance can not be obtained, contact Multyflex. For service contact number refer page 14 of this booklet.

### COOKTOP REMOVAL

If it is necessary to remove the cooktop for cleaning or service, shut off the gas supply. Disconnect the gas and electric supply. Remove the mounting brackets on the right and left side of the burner box and remove the cooktop. Reinstall in the reverse order and check the gas connection for leaks.

### TROUBLESHOOTING

**IMPORTANT NOTE:** If the cooktop does not operate properly, follow these troubleshooting steps:

- Verify that power is being supplied to the cooktop.
- Check that gas valves are turned to the ON position.
- Check the gas supply and electrical connections to ensure that the installation has been completed correctly.
- Follow troubleshooting procedures as described in the Wolf Gas Cooktops Use & Care Information.
- If the cooktop still does not work, contact a Wolf authorized service center. Do not attempt to repair the cooktop yourself. Wolf is not responsible for service required to correct a faulty installation.

**IMPORTANT NOTE:** Initial lighting of the surface burners may take slightly longer, as air in the system must be purged before gas can be supplied to the burner.

## WOLF GAS COOKTOPS



### SERVICE INFORMATION

When requesting information, literature, replacement parts or service, always refer to the model and serial number of your cooktop. This information is found on the product rating plate located rear of the removable lower panel. Refer to the illustration on below. Record the rating plate information below for future reference.

Model Number \_\_\_\_\_

Serial Number \_\_\_\_\_

Installation Date \_\_\_\_\_

Wolf Dealer and Phone \_\_\_\_\_

### BEFORE CALLING FOR SERVICE

Before calling your Wolf dealer, refer to the troubleshooting guide on page 13. Check the household fuse or circuit breaker to see if it has been blown or tripped and that the electrical connection to the appliance has not been disconnected. A power outage may also have caused a disruption in service.

For service call:  
**1300 808 859**

### CONTACT INFORMATION

**Sub-Zero Group Australia Pty Ltd**  
Level 10, 469 La Trobe Street  
Melbourne Victoria 3000  
Phone 03 9600 2218

[subzero-wolf.com.au](http://subzero-wolf.com.au)

<b>WOLF®</b> Made in USA		
MF066		
<b>Model No: ICBCG365T/S / ICBCG365P/S</b>		
<b>AGA Certificate. AGA 8101 G</b>		<b>AS/NZ4551</b>
Gas type	NG	LPG
Test point press. (kPa)	1.0	2.75
Injector sizes (mm)		
RAPID	1.59	0.94
ULTRA RAPID	2.05	1.18
SEMI RAPID	1.40	0.82
Total Consumption (MJ/h)	56.4	56.9
Approved for Natural Gas. Aust & NZ. Approved for Propane Gas Aust only		
Electrical compliance: in accordance with AS/NZS3100 240 V AC, 10 amps, 50 Hz		
Sub-Zero Group Australia Pty Ltd Level 10, 469 La Trobe Street Melbourne Victoria 3000 +61 3 9600 2218		

<b>WOLF®</b> Made in USA		
MF067		
<b>Model No: ICBCG304P/S / ICBCG304T/S</b>		
<b>AGA Certificate. AGA 8101 G</b>		<b>AS/NZ4551</b>
Gas type	NG	LPG
Test point press. (kPa)	1.0	2.75
Injector sizes (mm)		
RAPID	1.59	0.94
ULTRA RAPID	2.05	1.18
SEMI RAPID	1.40	0.82
Total Consumption (MJ/h)	47.3	47.8
Approved for Natural Gas. Aust & NZ. Approved for Propane Gas Aust only		
Electrical compliance: in accordance with AS/NZS3100 240 V AC, 10 amps, 50 Hz		
Sub-Zero Group Australia Pty Ltd Level 10, 469 La Trobe Street Melbourne Victoria 3000 +61 3 9600 2218		

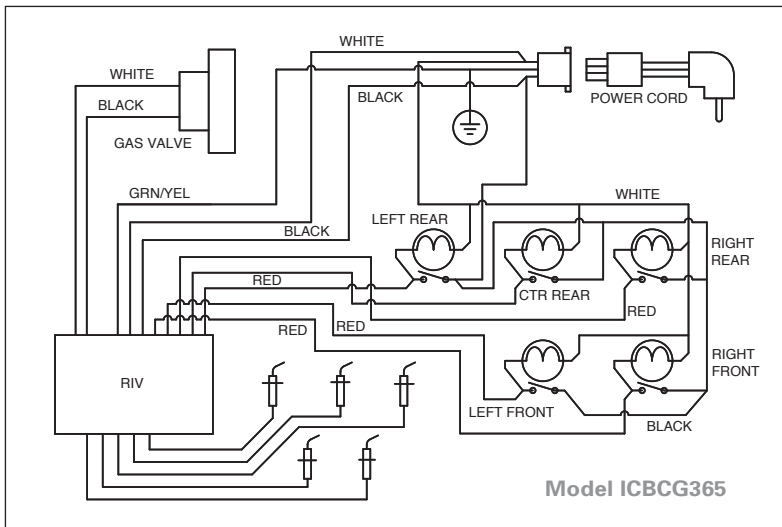
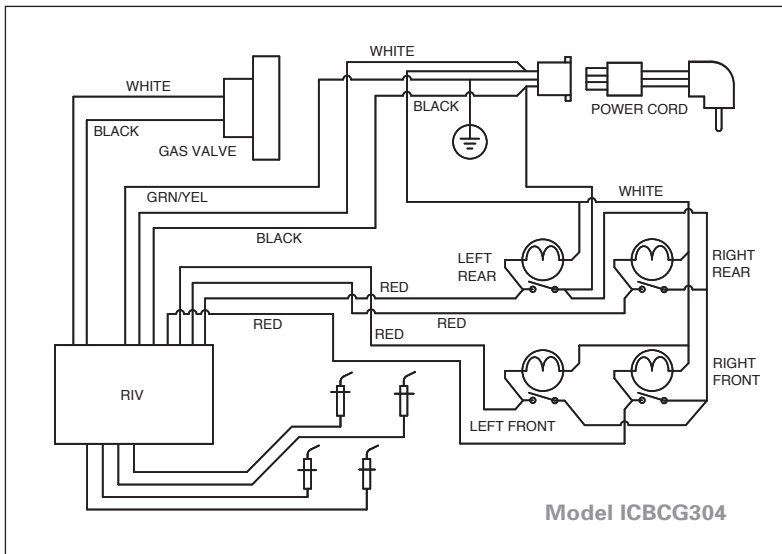
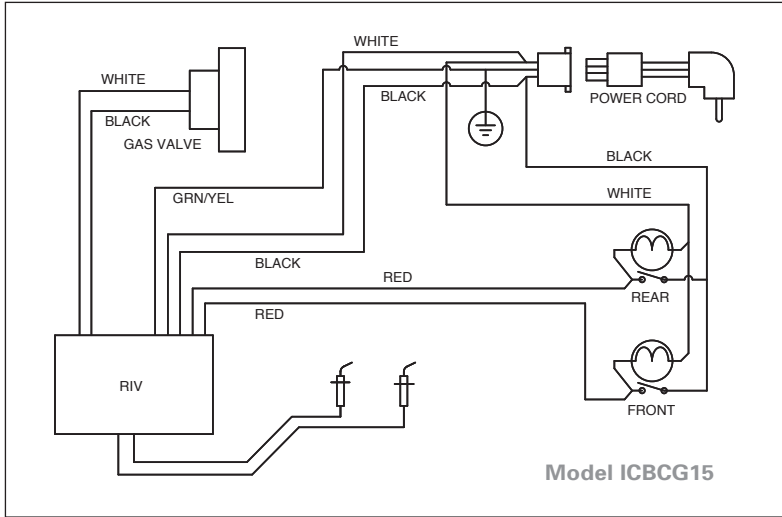
The information and images in this book are the copyright property of Wolf Appliance, Inc., an affiliate of Sub-Zero, Inc. Neither this book nor any information or images contained herein may be copied or used in whole or in part without the express written permission of Wolf Appliance, Inc., an affiliate of Sub-Zero, Inc.

©Wolf Appliance, Inc. all rights reserved.

# INSTALLATION INSTRUCTIONS



## WIRING DIAGRAMS



Sub-Zero Group Australia Pty Ltd  
Level 10, 469 La Trobe Street  
Melbourne Victoria 3000  
Phone +61 3 9600 2218  
[subzero-wolf.com.au](http://subzero-wolf.com.au)

The logo for WOLF, featuring the word "WOLF" in a bold, sans-serif font. The letter "W" is stylized with a flame icon integrated into its top left corner. A registered trademark symbol (®) is located at the end of the word.