

**NEW GENERATION  
INTERNATIONAL DESIGN GUIDE**



## Contents

- 3 M Series Ovens
- 12 E Series Ovens
- 24 Convection Steam Ovens
- 29 Microwave Ovens
- 34 Warming Drawers
- 39 Wolf Warranty

Features and specifications are subject to change at any time without notice.

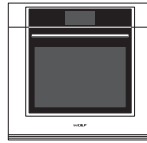
**IMPORTANT NOTE:** Throughout this guide, dimensions may vary by  $\pm 3$  mm.

### M Series Ovens

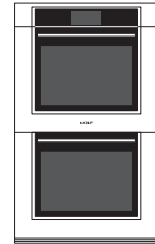
Three striking new looks are just the beginning. Superior performance features include an even more advanced dual vertical convection fan system, touch-screen controls, convenient new preset cooking programs and improved interior lighting. There is more usable space inside for deliciousness on a grand scale. M series ovens can be installed in a standard or flush inset application.

#### M SERIES OVENS

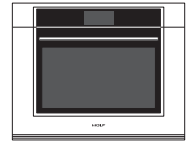
##### TRANSITIONAL



ICBSO30TM/S/TH

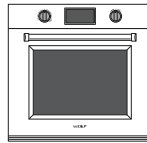


ICBDO30TM/S/TH

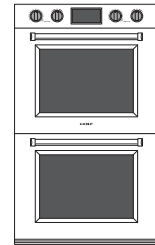


ICBSO36TM/S/TH

##### PROFESSIONAL



ICBSO30PM/S/PH



ICBDO30PM/S/PH

##### CONTEMPORARY



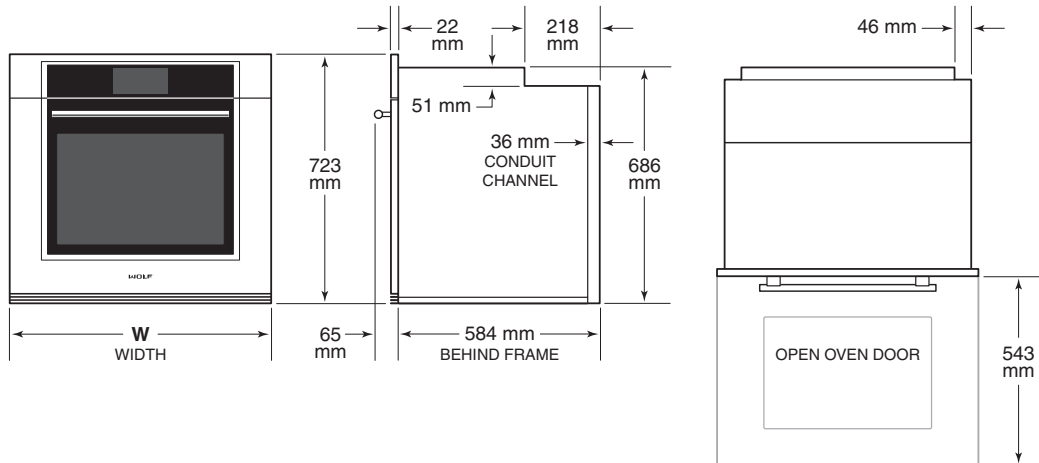
ICBSO30CM/B



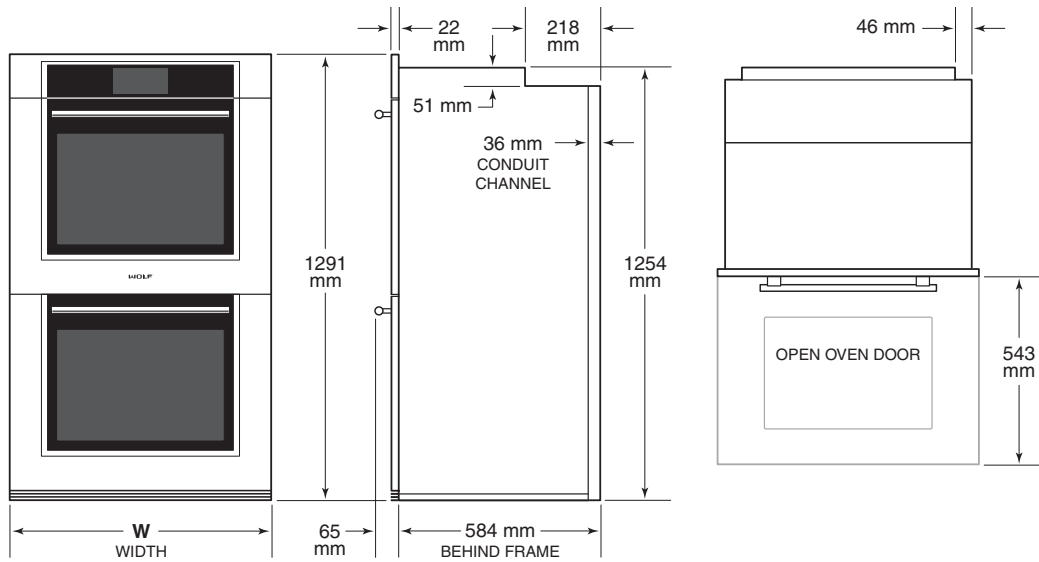
ICBDO30CM/B

M Series Ovens

TRANSITIONAL SINGLE OVEN



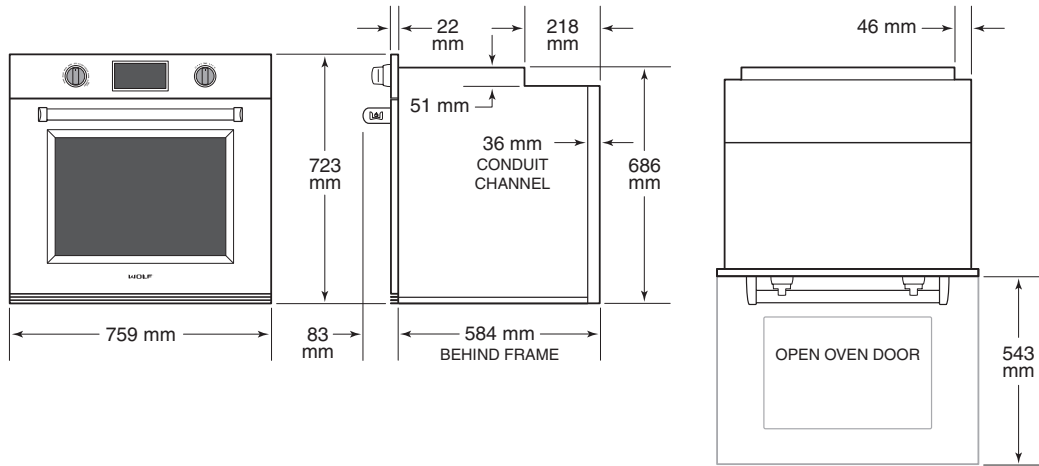
TRANSITIONAL DOUBLE OVEN



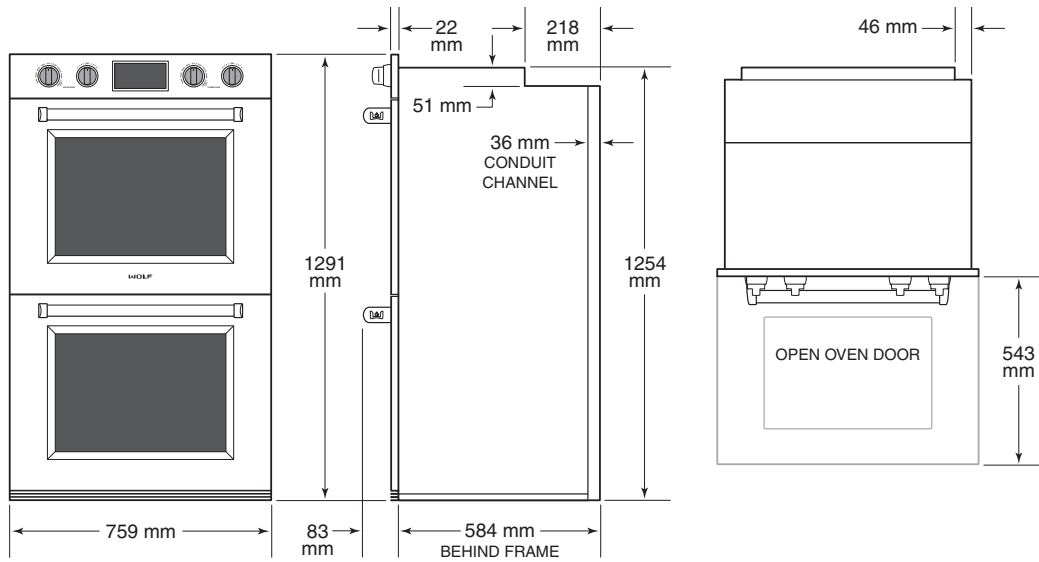
WIDTH		
TRANSITIONAL		<b>W</b>
762 mm Model		759 mm
914 mm Model (single oven only)		911 mm

M Series Ovens

PROFESSIONAL SINGLE OVEN

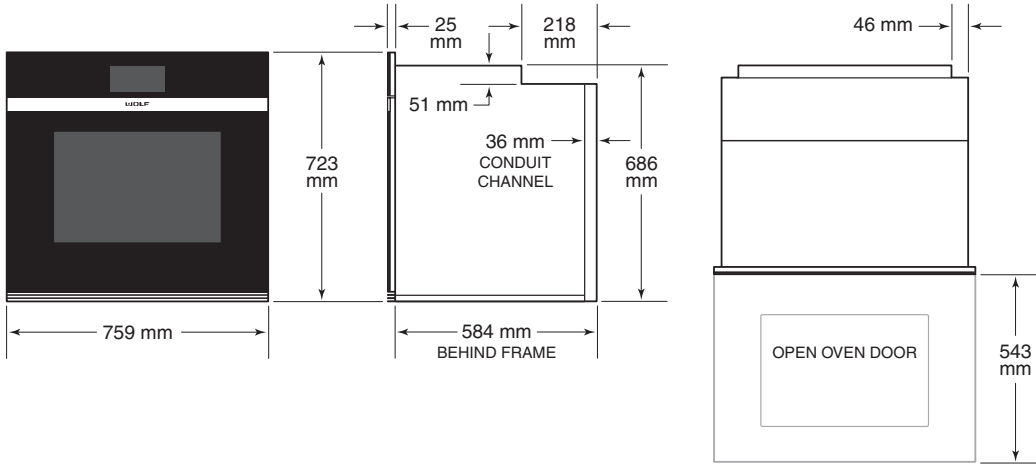


PROFESSIONAL DOUBLE OVEN

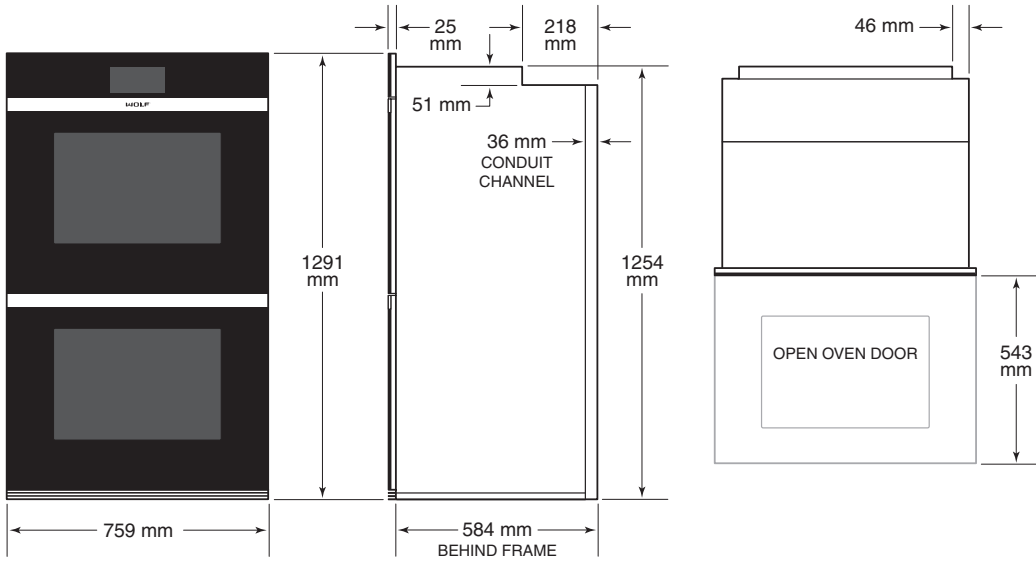


M Series Ovens

CONTEMPORARY SINGLE OVEN



CONTEMPORARY DOUBLE OVEN



## Planning Information

The M series oven can be installed in a standard or flush inset application. If a cooktop is being installed above an oven, a minimum of 6 mm is required between units. Location of the electrical supply within the oven opening may require additional cabinet depth.

Finish the edges of the opening. They may be visible when the door is open.

For standard installations, face trim will overlap stiles and rails. Refer to the chart below.

For flush inset installations, a minimum 3 mm reveal is required on all sides. To ensure consistent reveals, each corner of the opening must be exactly 90°.

INSTALLATION REQUIREMENTS	
<b>BASE SUPPORT</b>	<b>MIN</b>
Single Oven	115 kg
Double Oven	181 kg
<b>TRIM OVERLAP</b>	
Top	25 mm
Bottom	0 mm
Sides	18 mm

## ELECTRICAL

Installation must comply with all applicable electrical codes and be properly grounded (earthed).

Locate the electrical supply flush with the back wall and within the shaded area shown in the illustration for your specific installation on the following pages. For ease of installation, the electrical supply for the oven can be placed in an adjacent cabinet within reach of the conduit.

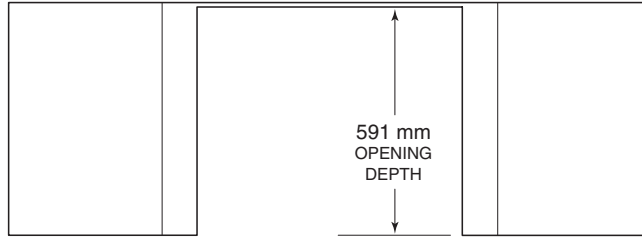
Performance may be compromised if the electrical supply is less than 220 volts.

The oven is supplied with a single phase and 3-phase convertible power inlet box. The wiring diagram covering the control circuit is provided with the oven.

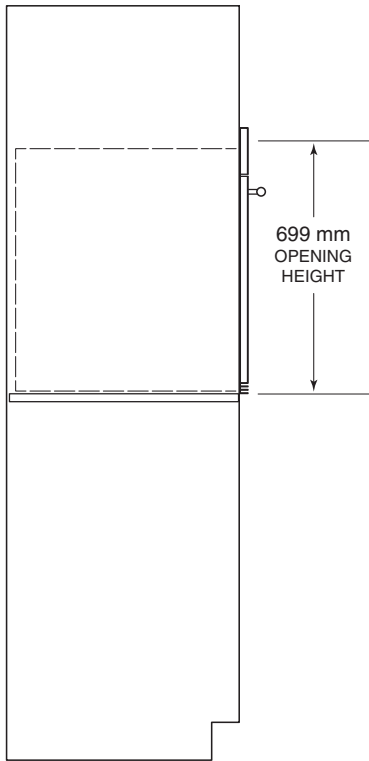
ELECTRICAL REQUIREMENTS		
<b>SINGLE OVEN</b>	<b>SINGLE PHASE</b>	<b>3-PHASE</b>
Required Power Supply	220-240 V AC 50/60 Hz	380-415 V AC 50 Hz
Maximum Connected Load	4.2–4.8 kW	3.0–3.6 kW
<b>DOUBLE OVEN</b>	<b>SINGLE PHASE</b>	<b>3-PHASE</b>
Required Power Supply	220-240 V AC 50/60 Hz	380-415 V AC 50 Hz
Maximum Connected Load	8.4–9.6 kW	4.2–4.8 kW

M Series Single Oven

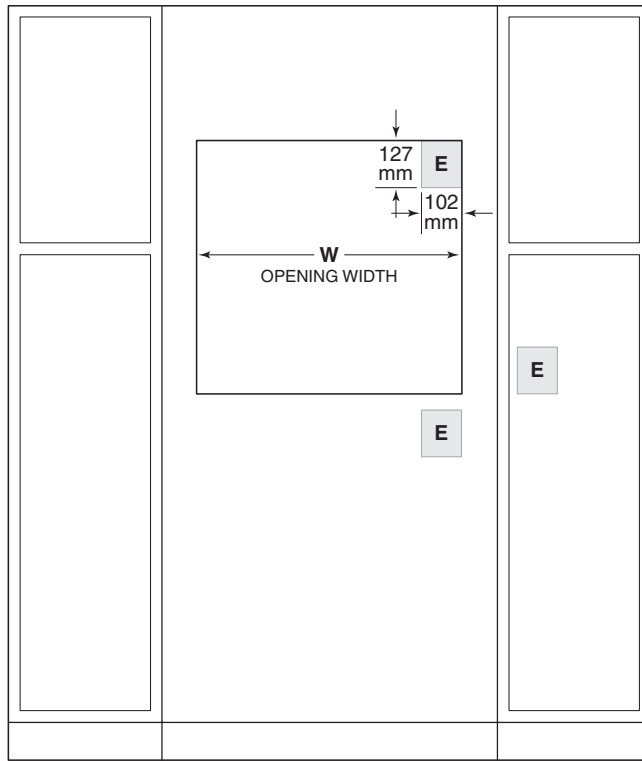
STANDARD INSTALLATION



TOP VIEW



SIDE VIEW



FRONT VIEW

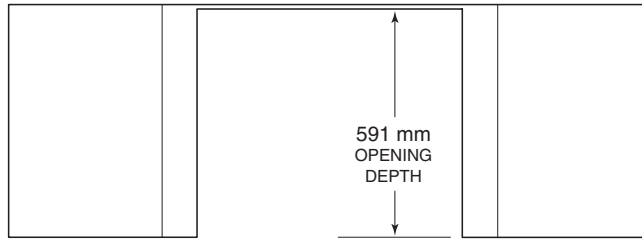
NOTE: Location of electrical supply within opening may require additional cabinet depth.  
Dashed line represents profile of unit.

OPENING WIDTH	
SINGLE OVEN	W
762 mm Model	724 mm
914 mm Model	876 mm

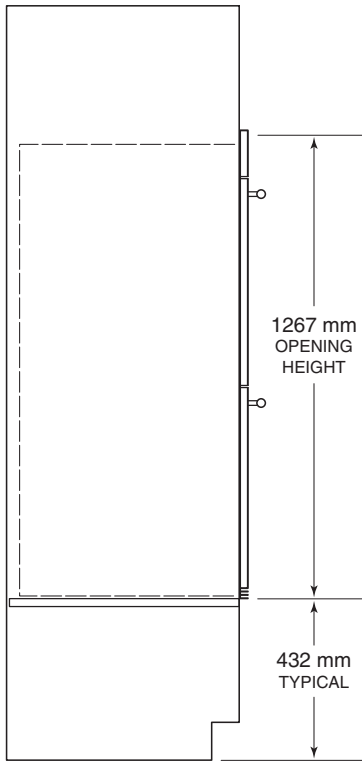


M Series Double Oven

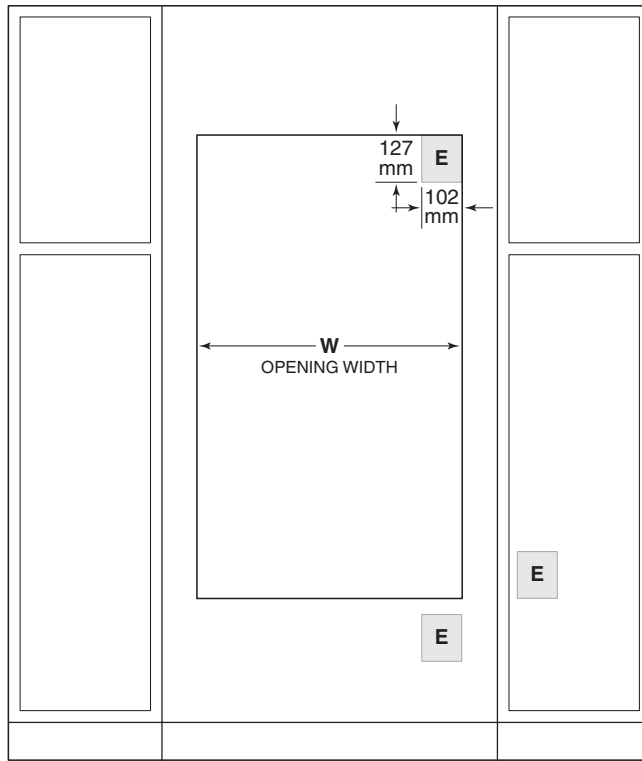
STANDARD INSTALLATION



TOP VIEW



SIDE VIEW



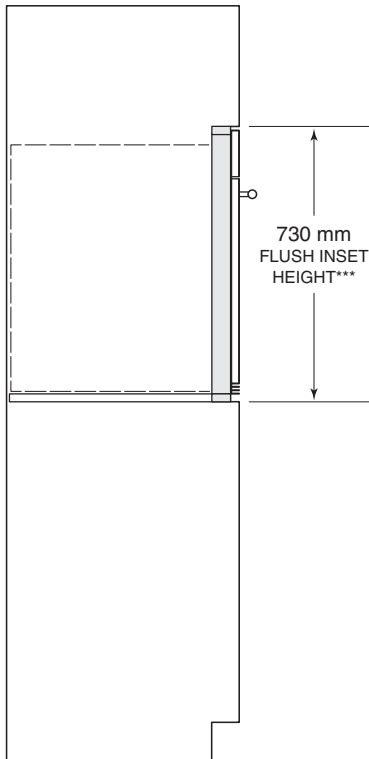
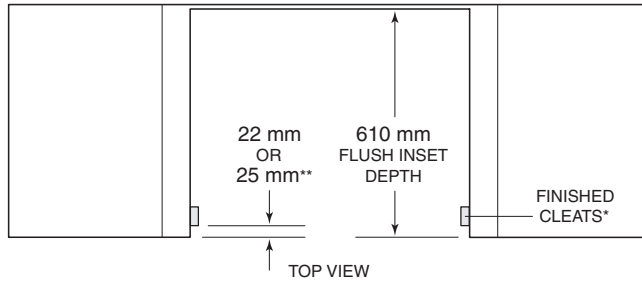
FRONT VIEW

NOTE: Location of electrical supply within opening may require additional cabinet depth. Dashed line represents profile of unit.

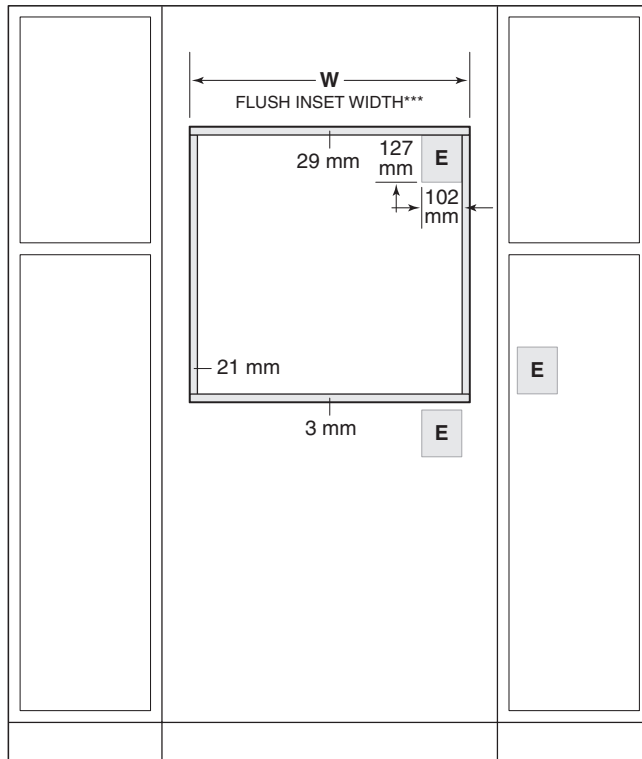
OPENING WIDTH	
DOUBLE OVEN	W
762 mm Model	724 mm

M Series Single Oven

FLUSH INSET INSTALLATION



SIDE VIEW



FRONT VIEW

\*25 mm minimum depth. Shaded areas will be visible and should be finished to match cabinetry.

\*\*22 mm for professional and transitional models and 25 mm for contemporary model.

\*\*\*Dimension provides minimum reveals.

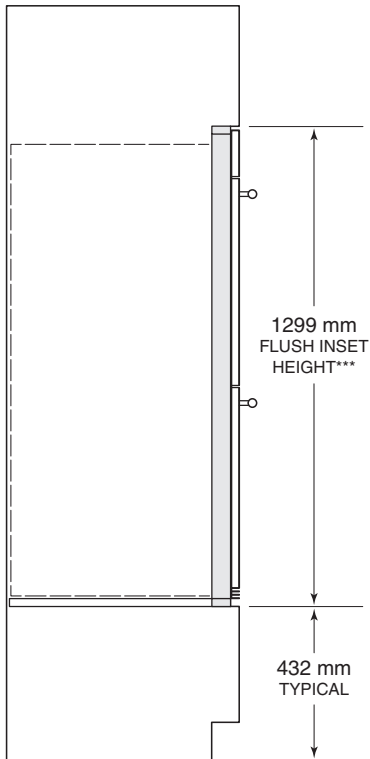
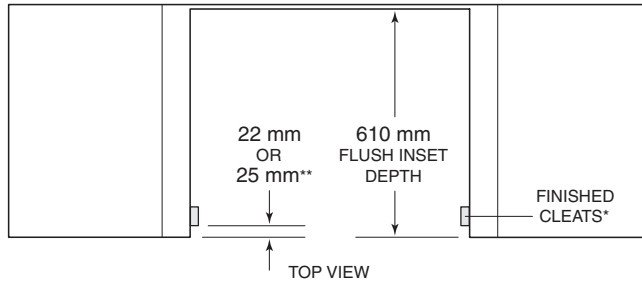
NOTE: Location of electrical supply within opening may require additional cabinet depth.

Dashed line represents profile of unit.

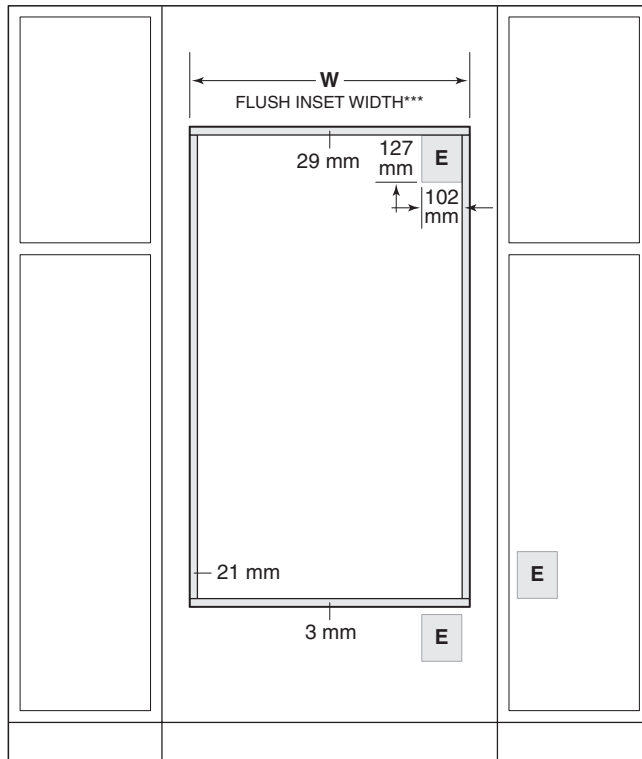
FLUSH INSET WIDTH	
<b>SINGLE OVEN</b>	<b>W</b>
762 mm Model	765 mm
914 mm Model	918 mm

M Series Double Oven

FLUSH INSET INSTALLATION



SIDE VIEW



FRONT VIEW

\*25 mm minimum depth. Shaded areas will be visible and should be finished to match cabinetry.

\*\*22 mm for professional and transitional models and 25 mm for contemporary model.

\*\*\*Dimension provides minimum reveals.

NOTE: Location of electrical supply within opening may require additional cabinet depth.

Dashed line represents profile of unit.

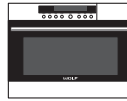
FLUSH INSET WIDTH	
DOUBLE OVEN	W
762 mm Model	765 mm

## E Series Ovens

Stainless models now feature a redesigned stainless steel touch-action control panel, helping to create great meals with ease, as well as adding a striking design feature to the kitchen. Smart technology gives the E series ten cooking modes, with Wolf's innovative dual convection in single ovens and in the upper unit of double ovens. Wolf E series ovens are crafted of stainless steel. Tubular handles have been updated to match the rest of the new Wolf cooking appliance offering, providing a more cohesive family look. E series ovens can be installed in a standard or flush inset application.

### E SERIES OVENS

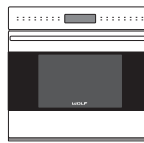
#### TRANSITIONAL



ICBSO2418TE/S/TH



ICBSO24TE/S/TH

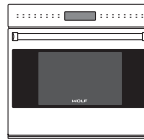


ICBSO30TE/S/TH



ICBDO30TE/S/TH

#### PROFESSIONAL



ICBSO30PE/S/PH



ICBDO30PE/S/PH

#### CONTEMPORARY



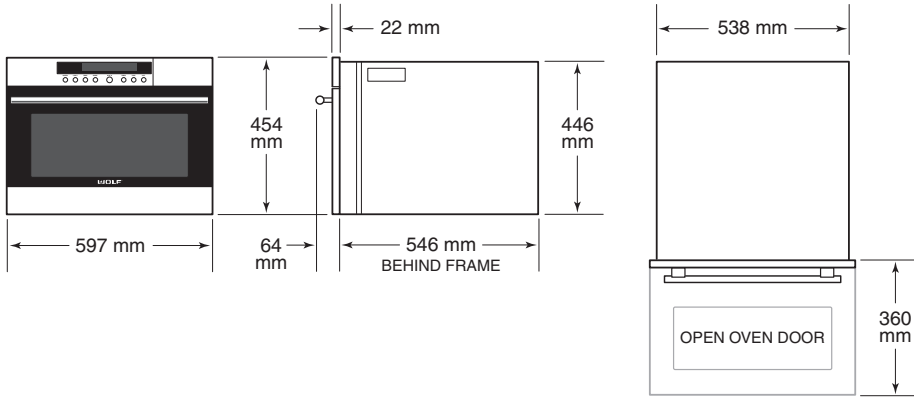
ICBSO30CE/B/TH



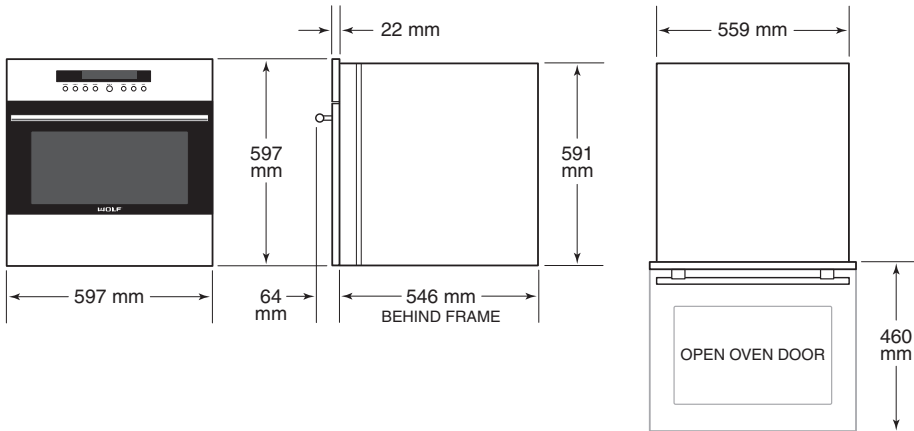
ICBDO30CE/B/TH

610 mm E Series Ovens

MODEL ICBSO2418TE/S/TH TRANSITIONAL SINGLE OVEN

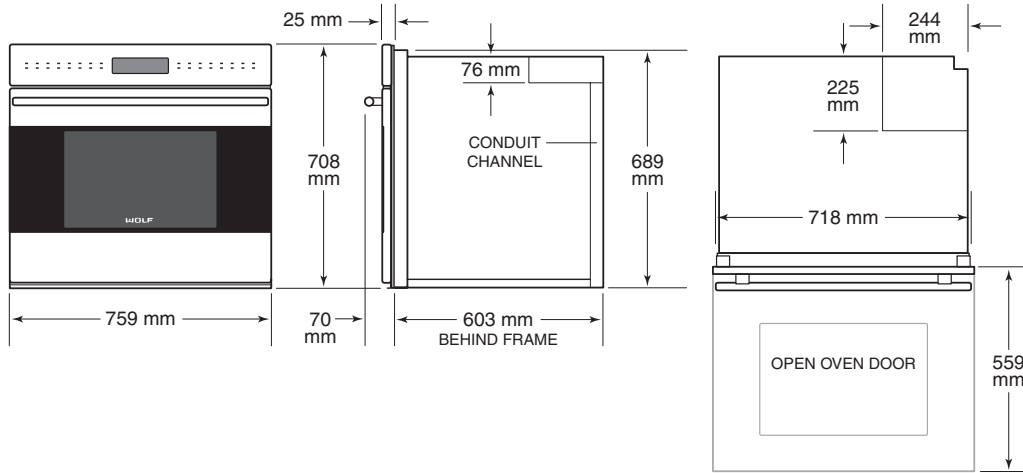


MODEL ICBSO24TE/S/TH TRANSITIONAL SINGLE OVEN

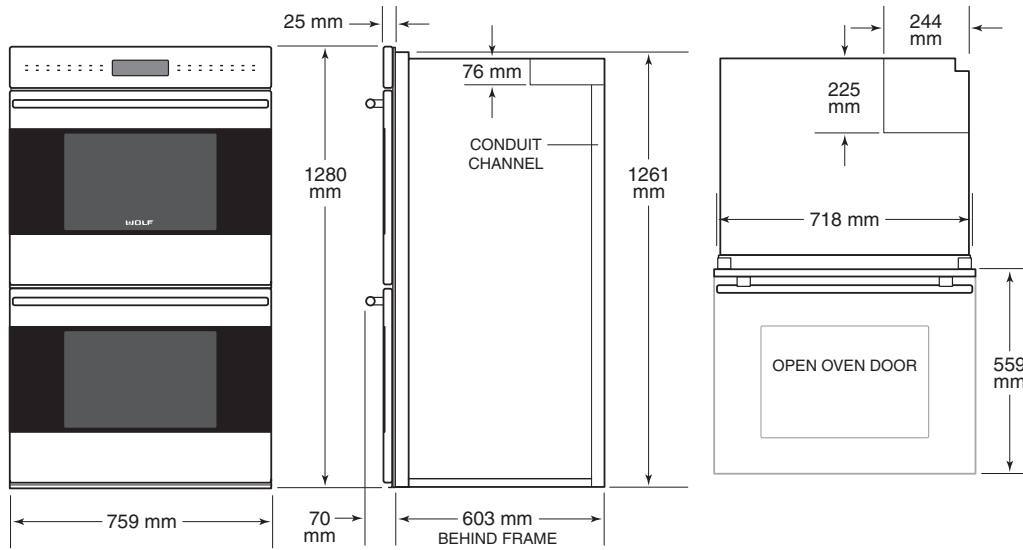


762 mm E Series Ovens

TRANSITIONAL SINGLE OVEN

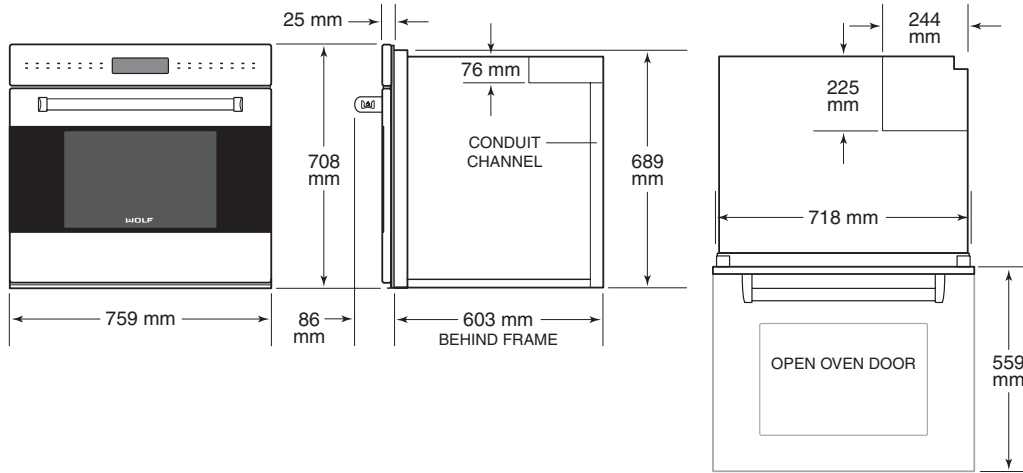


TRANSITIONAL DOUBLE OVEN

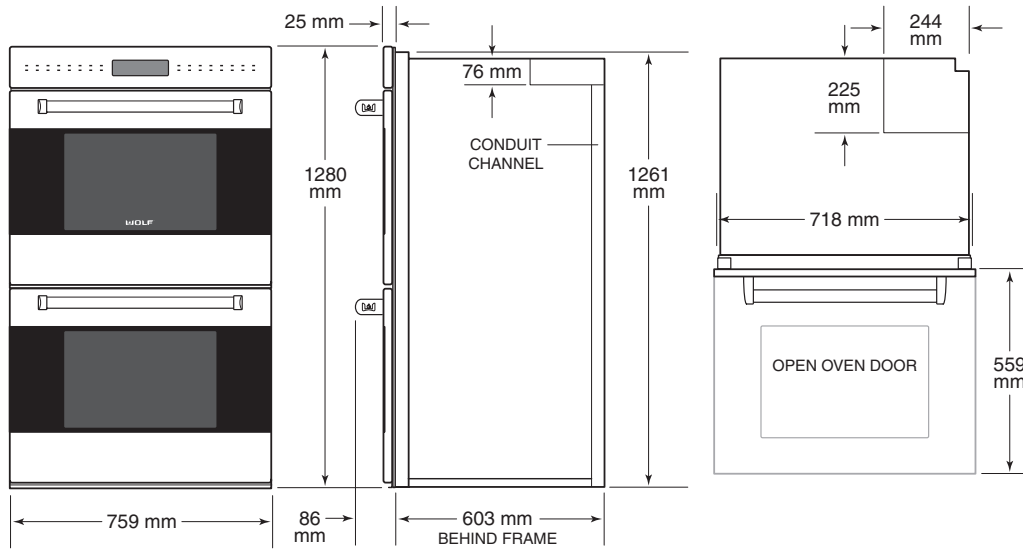


762 mm E Series Ovens

PROFESSIONAL SINGLE OVEN

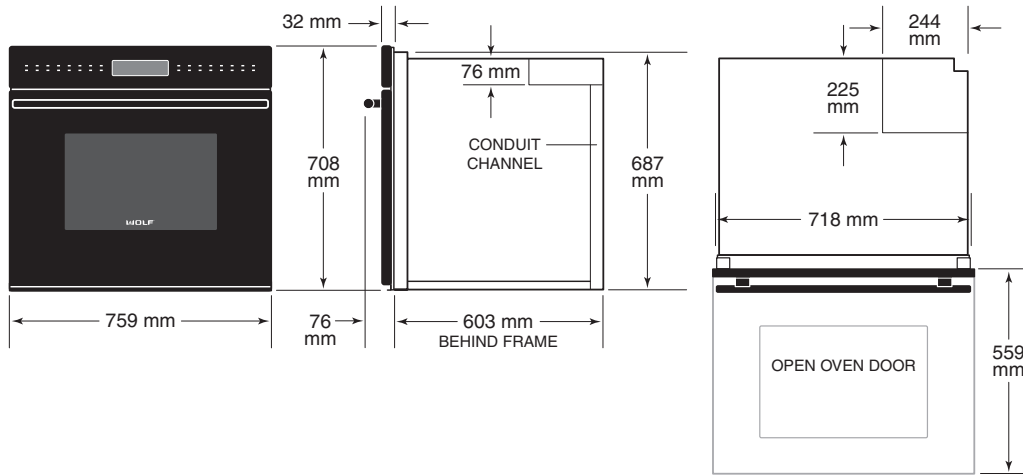


PROFESSIONAL DOUBLE OVEN

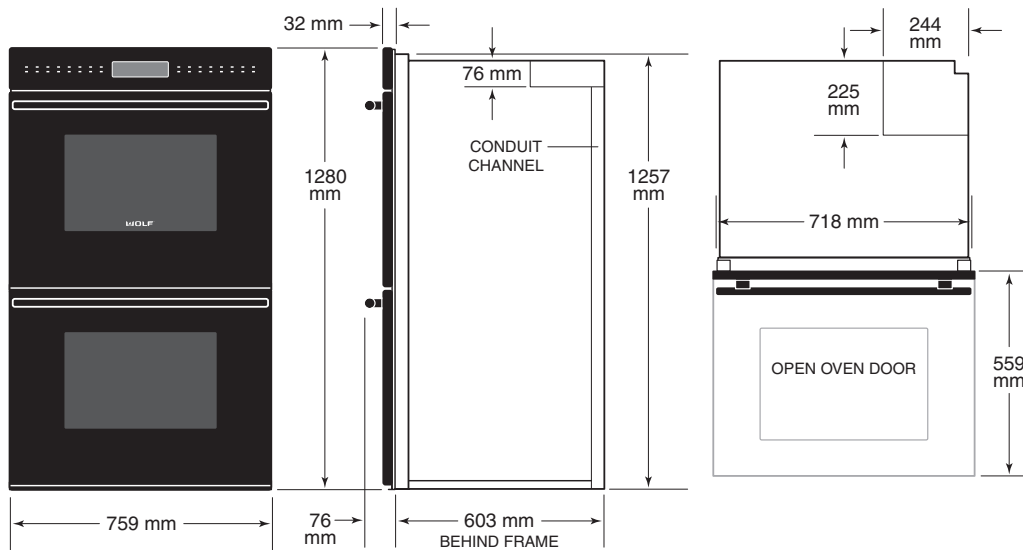


762 mm E Series Ovens

CONTEMPORARY SINGLE OVEN



CONTEMPORARY DOUBLE OVEN





## Planning Information

The E series oven can be installed in a standard or flush inset application. If a cooktop is being installed above an oven, a minimum of 6 mm is required between units. Location of the electrical supply within the oven opening may require additional cabinet depth.

Finish the edges of the opening. They may be visible when the door is open.

For standard installations, face trim will overlap stiles and rails. Refer to the chart below.

For flush inset installations, a minimum 6 mm reveal is required on all sides. To ensure consistent reveals, each corner of the opening must be exactly 90°.

INSTALLATION REQUIREMENTS			
<b>BASE SUPPORT</b>		<b>MIN</b>	
610 mm Single Oven			68 kg
762 mm Single Oven			115 kg
762 mm Double Oven			181 kg
<b>TRIM OVERLAP</b>	<b>610 mm MODEL</b>	<b>762 mm MODEL</b>	
Top	6 mm		13 mm
Bottom	0 mm		3 mm
Sides	17 mm		17 mm

## ELECTRICAL

Installation must comply with all applicable electrical codes and be properly grounded (earthed).

Locate the electrical supply flush with the back wall and within the shaded area shown in the illustration for your specific installation on the following pages. For ease of installation, the electrical supply for the oven can be placed in an adjacent cabinet within reach of the conduit. Unit is supplied with terminal box convertible to single or 3-phase.

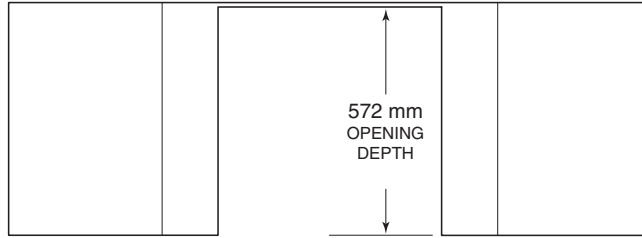
The wiring diagram covering the control circuit is provided with the oven.

ELECTRICAL REQUIREMENTS	
<b>610 mm SINGLE OVEN</b>	
Electrical Supply	220-240 V AC, 50 Hz
Service	3400 Watts
Receptacle	grounding-type (earthed)
Power Cord	1.8 m

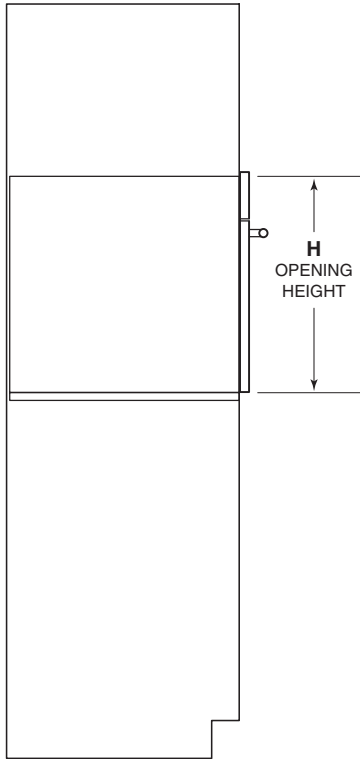
ELECTRICAL REQUIREMENTS		
<b>762 mm SINGLE OVEN</b>	<b>SINGLE PHASE</b>	<b>3-PHASE</b>
Required Power Supply	220-240 V AC 50/60 Hz	380-415 V AC 50 Hz
Maximum Connected Load	4.4 kW	4.4 kW
Total Amps	19	19
<b>762 mm DOUBLE OVEN</b>	<b>SINGLE PHASE</b>	<b>3-PHASE</b>
Required Power Supply	220-240 V AC 50/60 Hz	380-415 V AC 50 Hz
Maximum Connected Load	7.4 kW	5.1 kW
Total Amps	32	22

610 mm E Series Oven

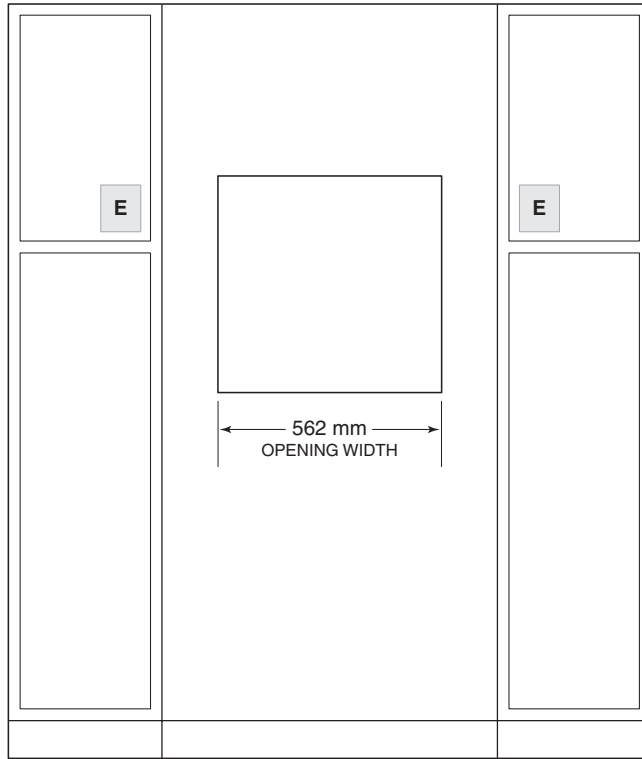
STANDARD INSTALLATION



TOP VIEW



SIDE VIEW



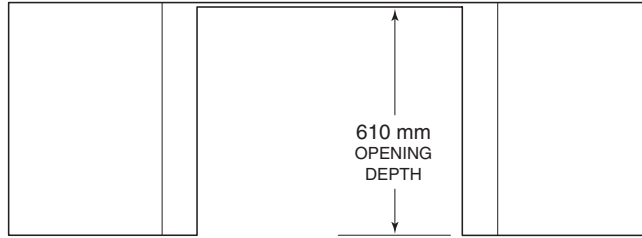
FRONT VIEW

NOTE: Electrical supply must be located in adjacent cabinet within .9 m of opening.

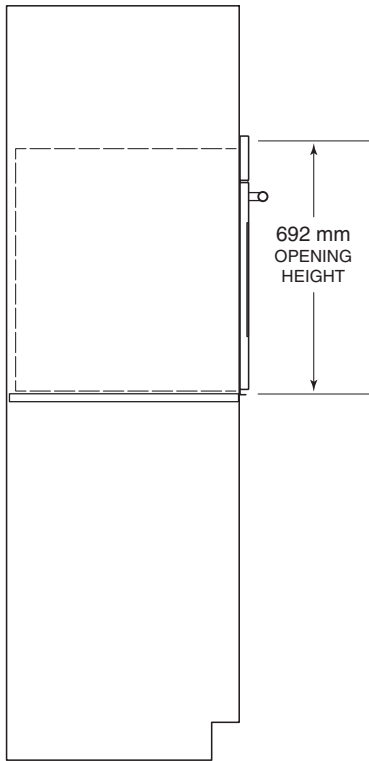
OPENING HEIGHT	
610 mm E SERIES OVEN	H
Model ICBSO2418TE/S/TH	449 mm
Model ICBSO24TE/S/TH	591 mm

762 mm E Series Single Oven

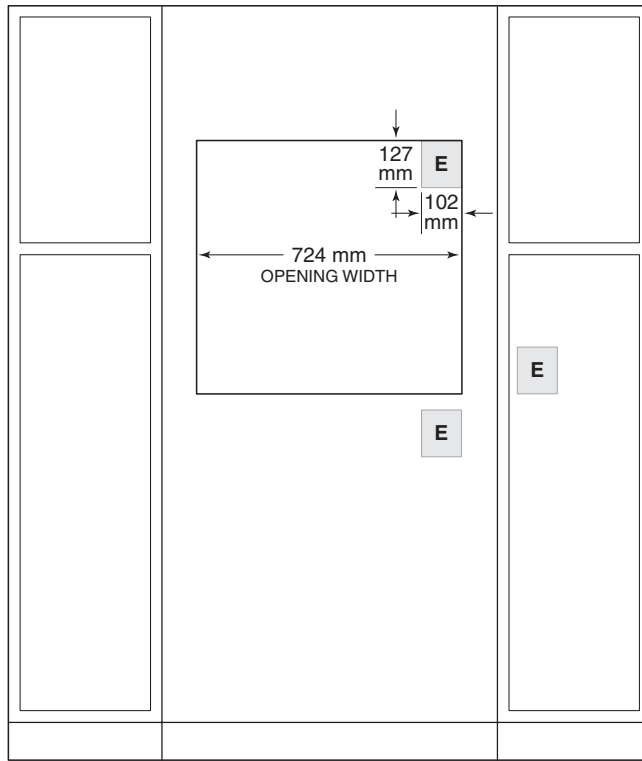
STANDARD INSTALLATION



TOP VIEW



SIDE VIEW

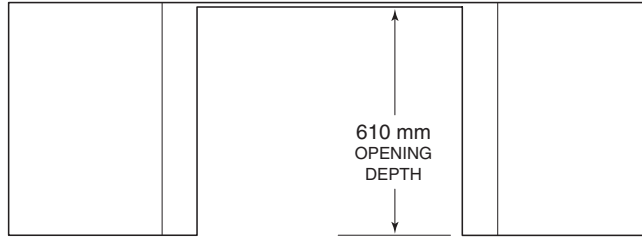


FRONT VIEW

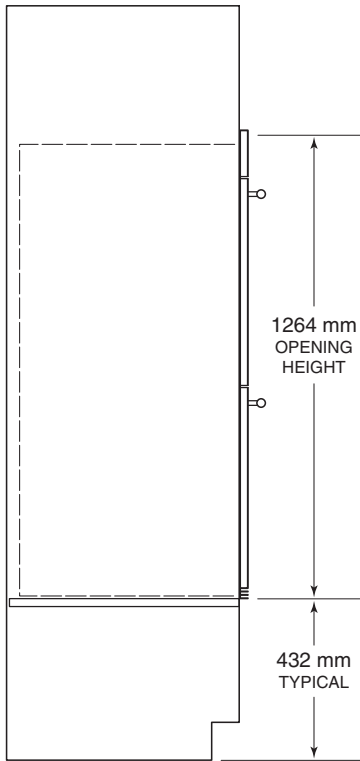
*NOTE: Location of electrical supply within opening may require additional cabinet depth.  
Dashed line represents profile of unit.*

762 mm E Series Double Oven

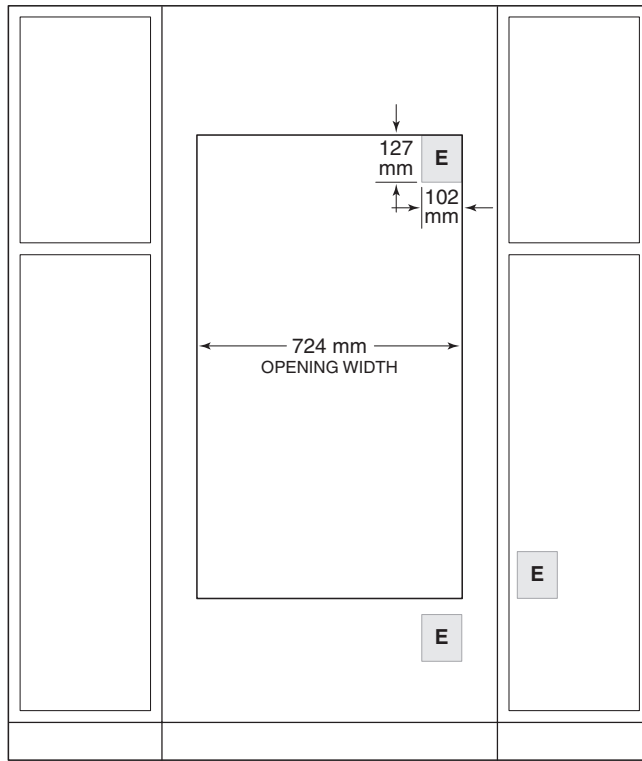
STANDARD INSTALLATION



TOP VIEW



SIDE VIEW

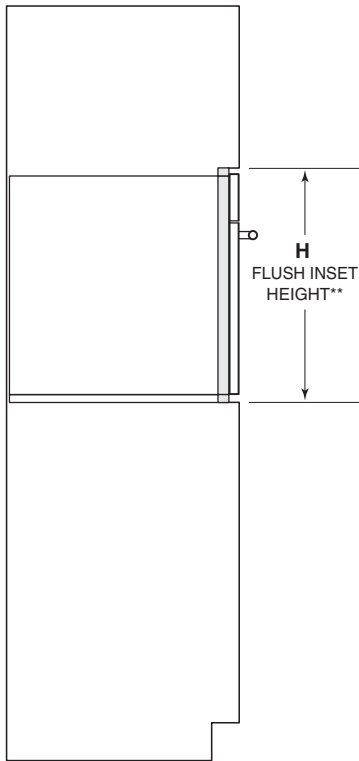
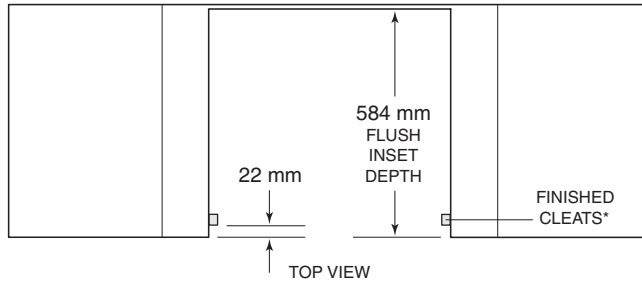


FRONT VIEW

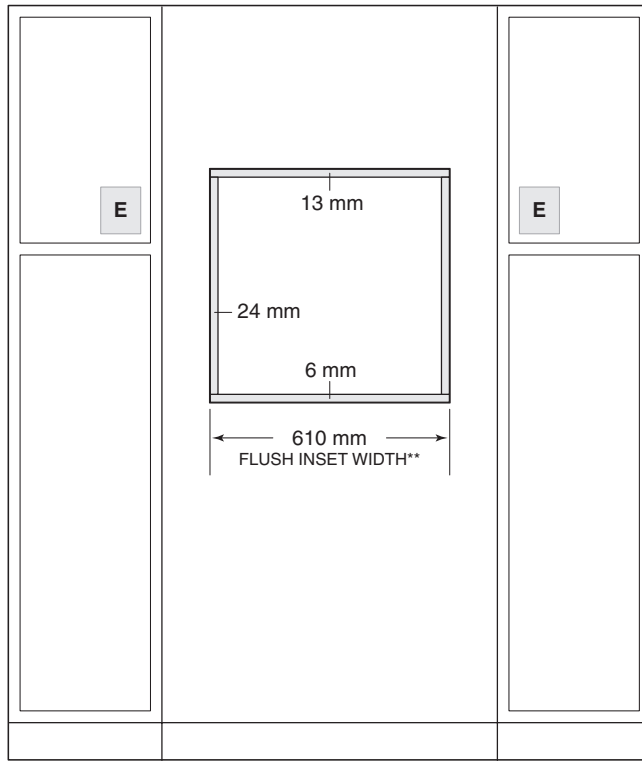
*NOTE: Location of electrical supply within opening may require additional cabinet depth.  
Dashed line represents profile of unit.*

610 mm E Series Oven

FLUSH INSET INSTALLATION



SIDE VIEW



FRONT VIEW

\*Will be visible and should be finished to match cabinetry.

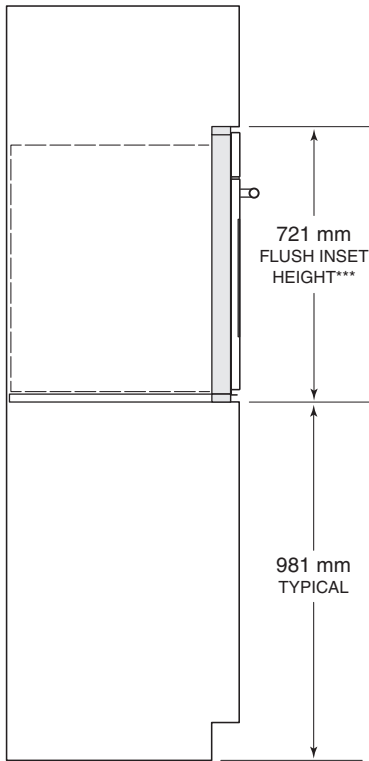
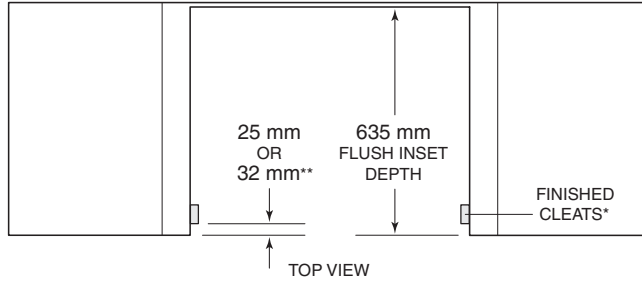
\*\*Dimension provides minimum reveals.

NOTE: Electrical supply must be located in adjacent cabinet within .9 m of opening.

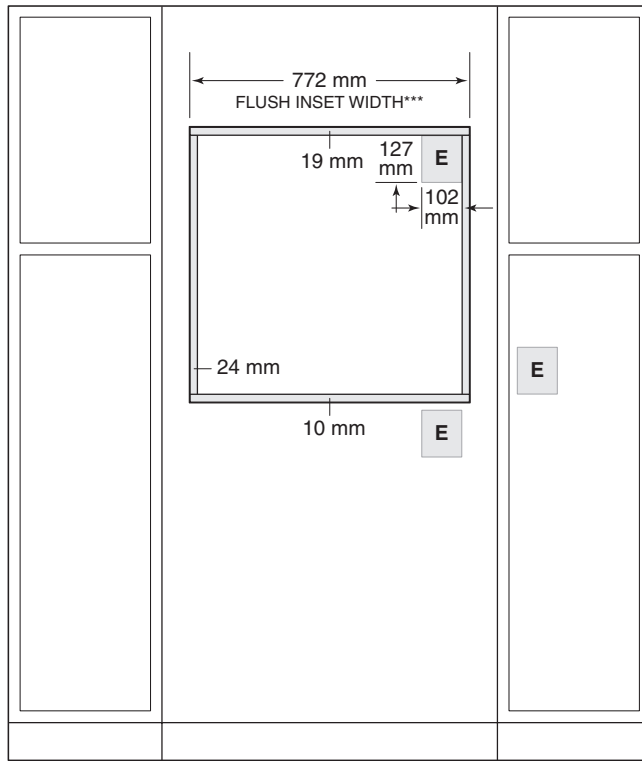
FLUSH INSET HEIGHT	
<b>610 mm E SERIES OVEN</b>	<b>H</b>
Model ICBSO2418TE/S/TH	467 mm
Model ICBSO24TE/S/TH	610 mm

762 mm E Series Single Oven

FLUSH INSET INSTALLATION



SIDE VIEW



FRONT VIEW

\*Will be visible and should be finished to match cabinetry.

\*\*25 mm for professional and transitional models and 32 mm for contemporary model.

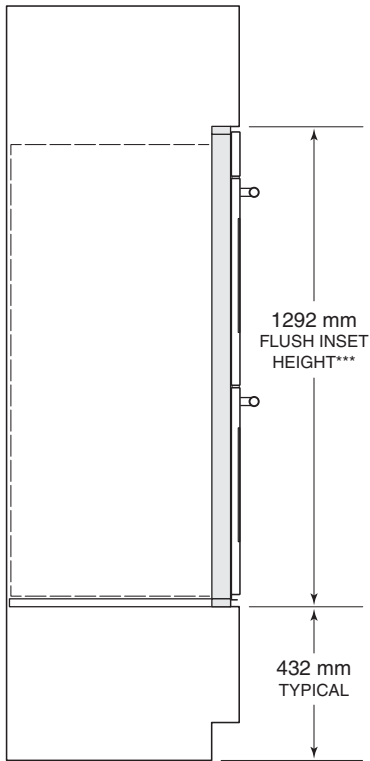
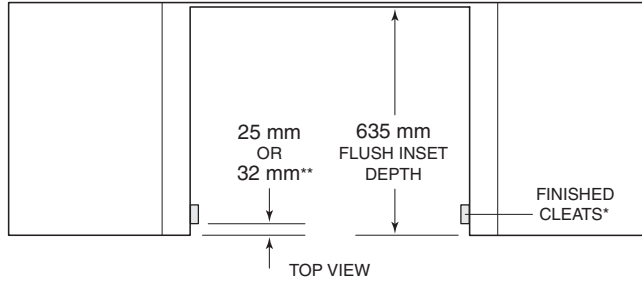
\*\*\*Dimension provides minimum reveals.

NOTE: Location of electrical supply within opening may require additional cabinet depth.

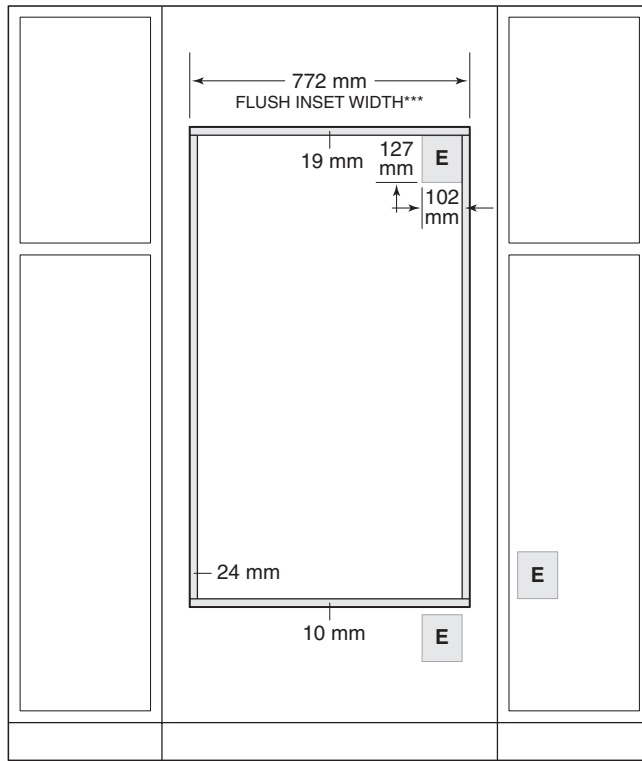
Dashed line represents profile of unit.

762 mm E Series Double Oven

FLUSH INSET INSTALLATION



SIDE VIEW



FRONT VIEW

\*Will be visible and should be finished to match cabinetry.

\*\*25 mm for professional and transitional models and 32 mm for contemporary model.

\*\*\*Dimension provides minimum reveals.

NOTE: Location of electrical supply within opening may require additional cabinet depth.

Dashed line represents profile of unit.

## Convection Steam Ovens

The legacy of the “combination oven” goes back decades, to innovative chefs in America and Europe who embraced the combination of air movement with superheated steam to achieve superior results—from breads and roasts to delicate fishes, seafood and vegetables. Wolf combines the benefits of convection and steam for the most innovative steam oven on the market today. Virtually any dish prepared in a conventional oven, range or microwave can also be prepared in the Wolf convection steam oven—with more control. Two widths and three distinct styles compliment the look of Wolf ovens, ranges and cooktops. Convection steam ovens can be installed in a standard or flush inset application.

### CONVECTION STEAM OVENS

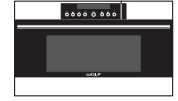
#### TRANSITIONAL



ICBCSO24TE/S/TH

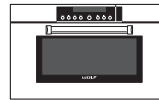


ICBCSO30TM/S/TH

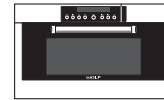


ICBCSO30TE/S/TH

#### PROFESSIONAL



ICBCSO30PM/S/PH



ICBCSO30PE/S/PH

#### CONTEMPORARY

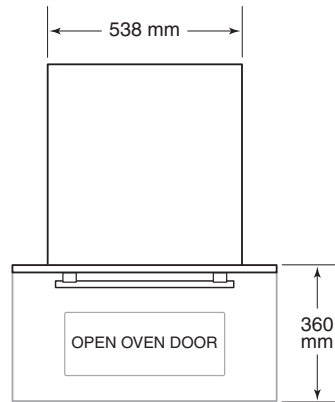
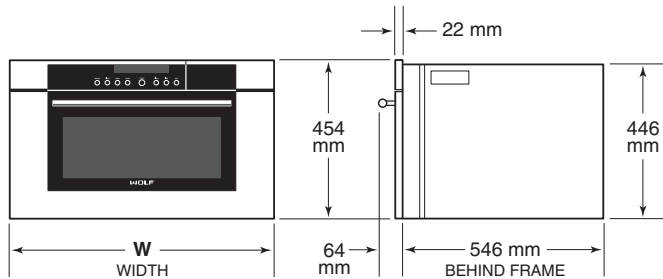


ICBCSO30CM/B/TH



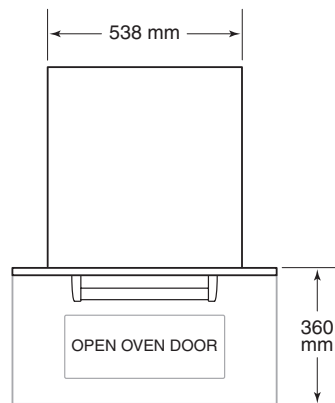
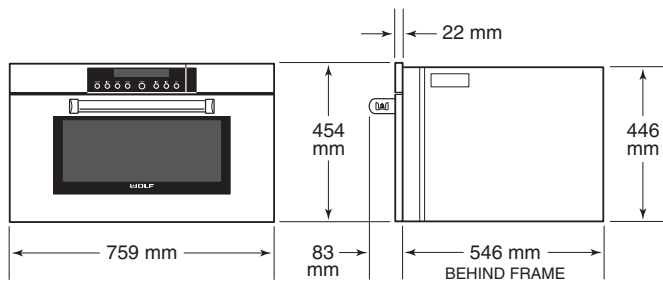
## Convection Steam Ovens

### TRANSITIONAL

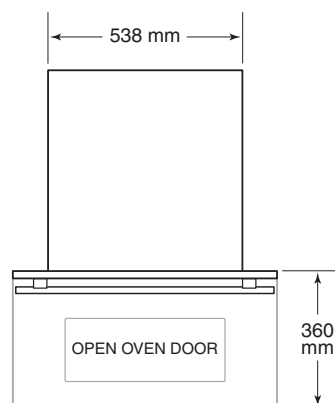
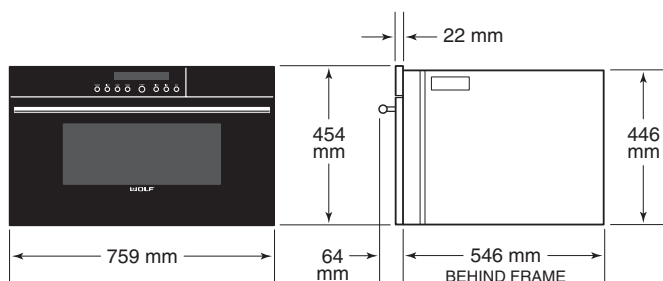


WIDTH		
TRANSITIONAL		<b>W</b>
610 mm Model		597 mm
762 mm Model		759 mm

### PROFESSIONAL



### CONTEMPORARY



### Planning Information

The convection steam oven can be installed in a standard or flush inset application. The electrical supply for the oven must be located in an adjacent cabinet.

Finish the edges of the opening. They may be visible when the door is open.

For standard installations, face trim will overlap stiles and rails. Refer to the chart below.

For flush inset installations, a minimum 3 mm reveal is required on all sides. To ensure consistent reveals, each corner of the opening must be exactly 90°.

INSTALLATION REQUIREMENTS			
<b>BASE SUPPORT</b>		<b>MIN</b>	
Convection Steam Oven		45 kg	
<b>TRIM OVERLAP</b>	<b>610 mm MODEL</b>	<b>762 mm MODEL</b>	
Top	5 mm	5 mm	
Bottom	0 mm	0 mm	
Sides	18 mm	98 mm	

### ELECTRICAL

Installation must comply with all applicable electrical codes and be properly grounded (earthed).

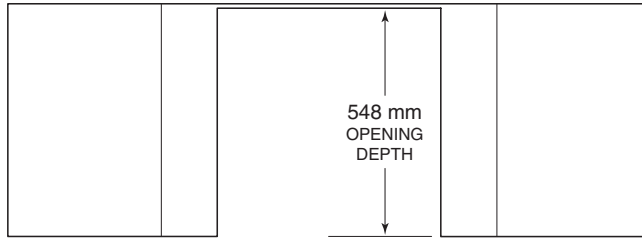
Locate the electrical supply as shown in the illustrations on the following pages. A separate circuit, servicing only this appliance is required. A ground fault circuit interrupter (GFCI) is not recommended and may cause interruption of operation.

Performance may be compromised if the electrical supply is less than 220 volts.

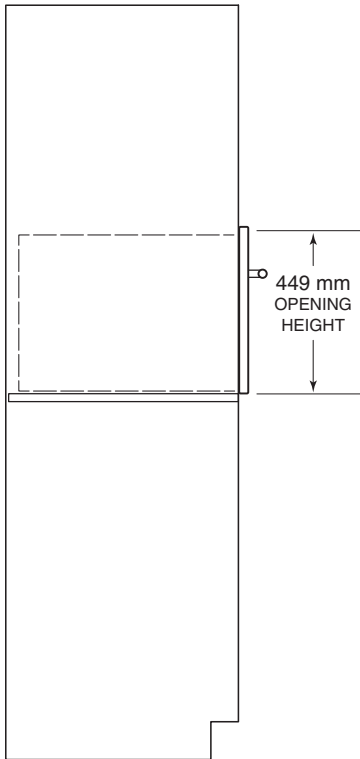
ELECTRICAL REQUIREMENTS	
Electrical Supply	220-240 V AC, 50 Hz
Service	3800 Watts
Receptacle	grounding-type (earthed)
Power Cord	1.8 m

Convection Steam Oven

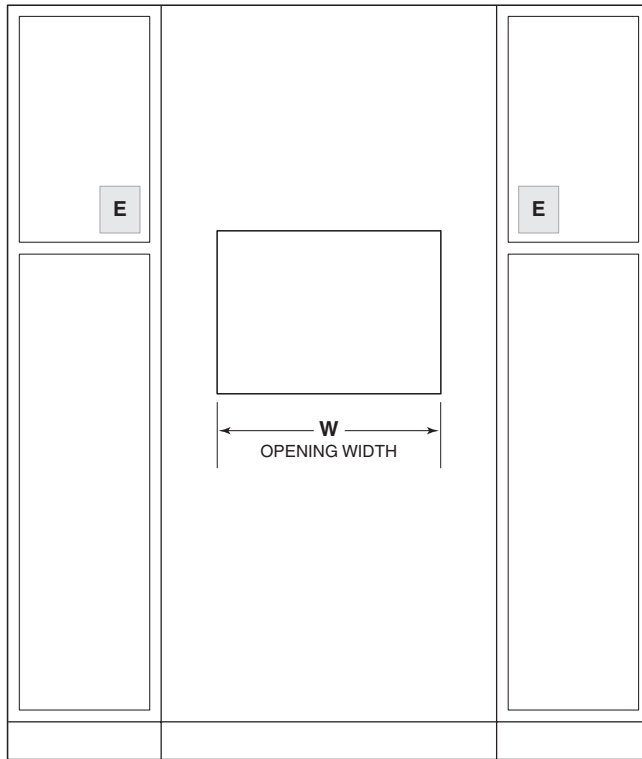
STANDARD INSTALLATION



TOP VIEW



SIDE VIEW



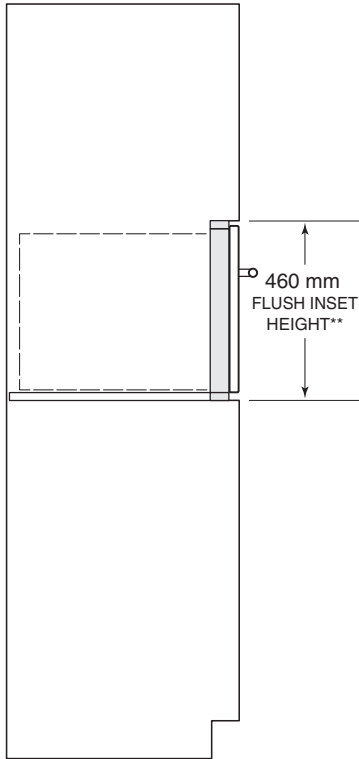
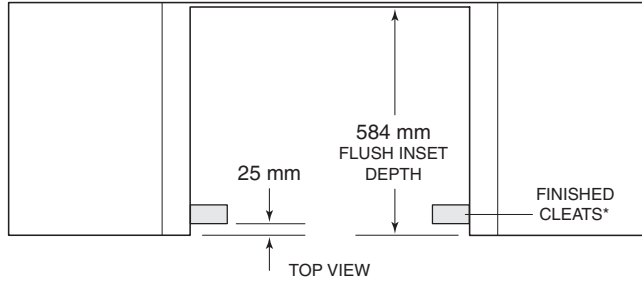
FRONT VIEW

NOTE: 610 mm and 762 mm models require the same opening dimensions.  
Electrical supply must be located in adjacent cabinet within .9 m of opening.  
Dashed line represents profile of unit.

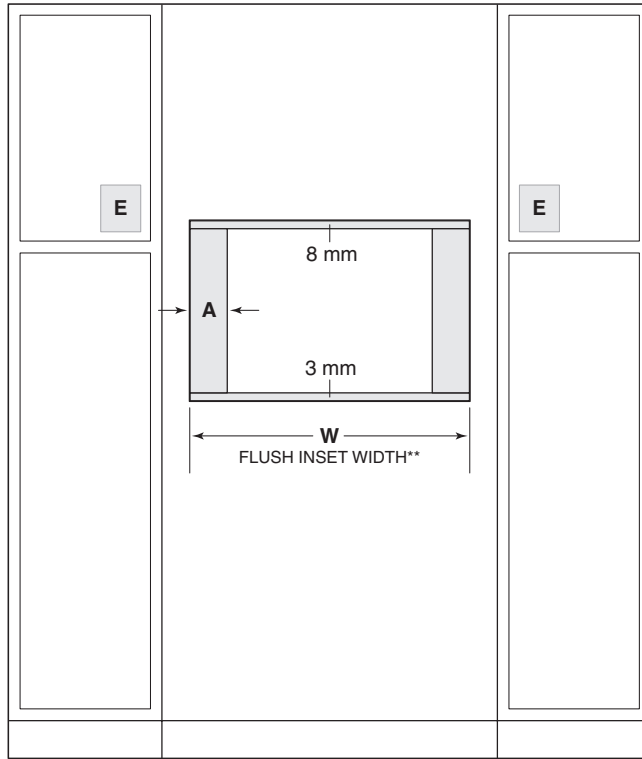
OPENING WIDTH	
CONVECTION STEAM OVEN	W
610 mm Model	562 mm
762 mm Model	562 mm

Convection Steam Oven

FLUSH INSET INSTALLATION



SIDE VIEW



FRONT VIEW

\*Will be visible and should be finished to match cabinetry.

\*\*Dimension provides minimum reveals.

NOTE: Electrical supply must be located in adjacent cabinet within .9 m of opening.  
Dashed line represents profile of unit.

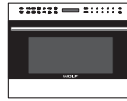
FLUSH INSET WIDTH		
CONVECTION STEAM OVEN	W	A
610 mm Model	603 mm	21 mm
762 mm Model	765 mm	102 mm

## Microwave Ovens

As true cooking instruments, Wolf microwave ovens have features that make fast meals better meals. New drop down door microwaves feature a door that hinges at the bottom. Drop down door microwaves are designed to match Wolf transitional, professional and contemporary products. Microwave ovens can be installed in a standard or flush inset application.

### DROP DOWN DOOR MICROWAVES

#### TRANSITIONAL



ICBMDD24TE/S/TH

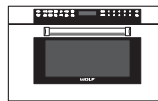


ICBMDD30TM/S/TH



ICBMDD30TE/S/TH

#### PROFESSIONAL



ICBMDD30PM/S/PH



ICBMDD30PE/S/PH

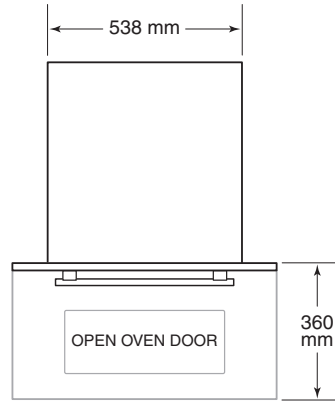
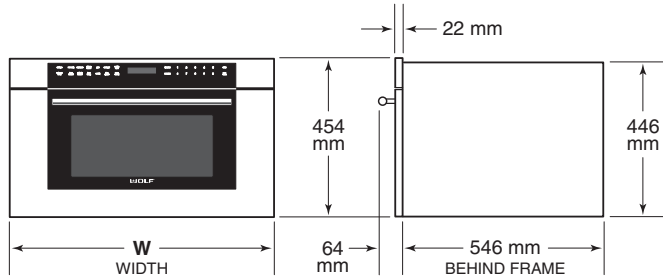
#### CONTEMPORARY



ICBMDD30CM/B/TH

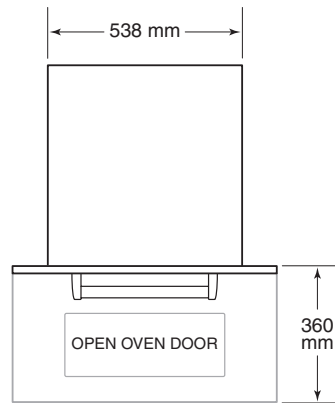
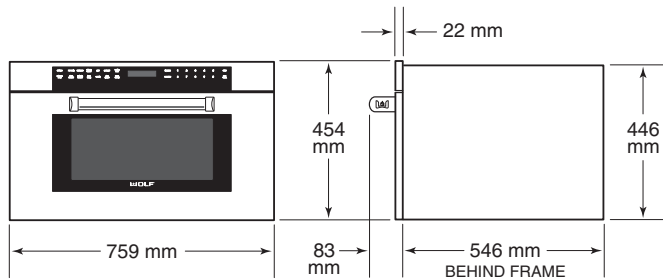
## Drop Down Door Microwave Ovens

### TRANSITIONAL

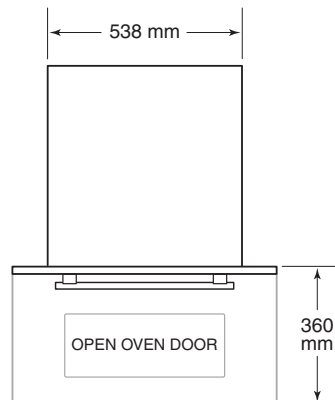
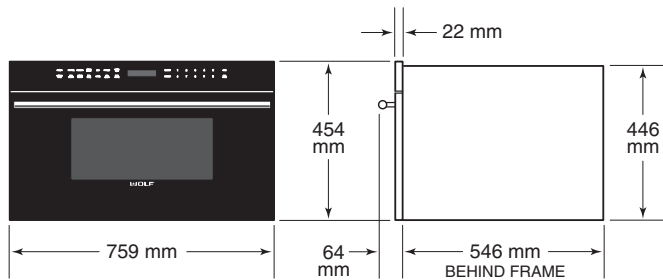


WIDTH		W
TRANSITIONAL		
610 mm Model		597 mm
762 mm Model		759 mm

### PROFESSIONAL



### CONTEMPORARY



## Planning Information

### DROP DOWN DOOR MICROWAVE

The drop down door microwave oven can be installed in a standard or flush inset application.

Finish the edges of the opening. They may be visible when the door is open.

For standard installations, face trim will overlap stiles and rails. Refer to the chart below.

For flush inset installations, a minimum 3 mm reveal is required on all sides. To ensure consistent reveals, each corner of the opening must be exactly 90°.

INSTALLATION REQUIREMENTS			
<b>BASE SUPPORT</b>		<b>MIN</b>	
Drop Down Door Microwave		57 kg	
<b>TRIM OVERLAP</b>	<b>610 mm MODEL</b>	<b>762 mm MODEL</b>	
Top	5 mm	5 mm	
Bottom	0 mm	0 mm	
Sides	18 mm	98 mm	

## Electrical

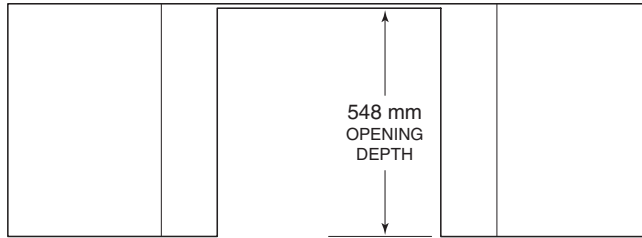
Installation must comply with all applicable electrical codes and be properly grounded (earthed).

Locate the electrical supply as shown in the illustrations on the following pages. The receptacle may also be located in an adjacent cabinet within reach of the power cord. A separate circuit, servicing only this appliance is required. A ground fault circuit interrupter (GFCI) is not recommended and may cause interruption of operation. Refer to the illustration below for minimum power cord plug clearance.

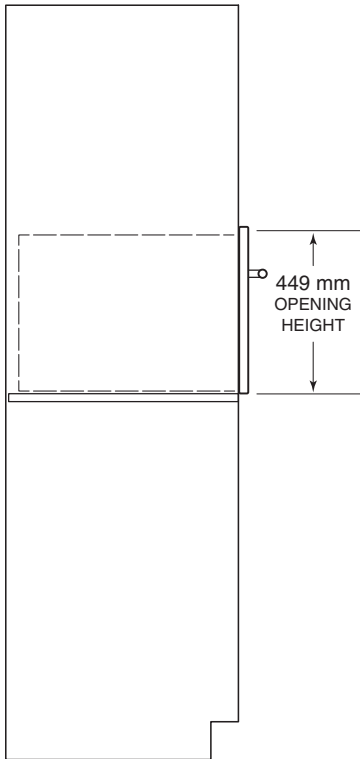
ELECTRICAL REQUIREMENTS	
Electrical Supply	220-240 V AC, 50/60 Hz
Maximum Connected Load	900W
Receptacle	10A
Power Cord	1.2 m

## Drop Down Door Microwave Oven

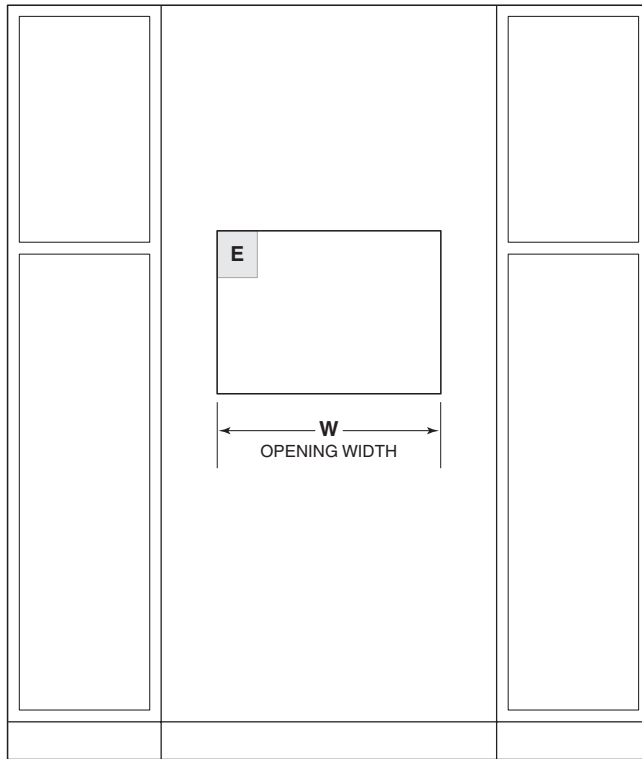
### STANDARD INSTALLATION



TOP VIEW



SIDE VIEW



FRONT VIEW

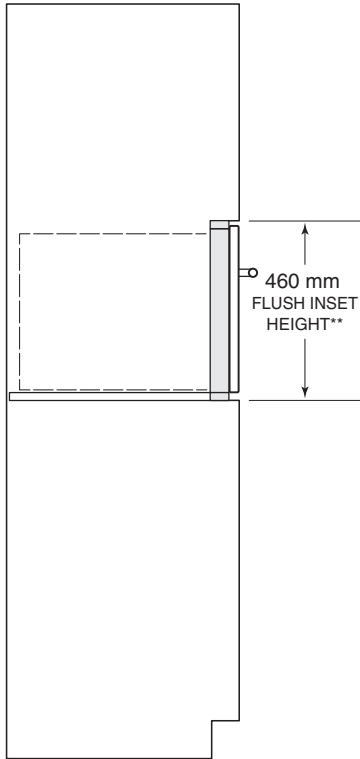
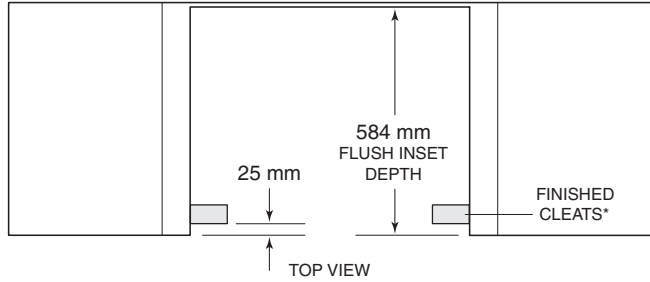
NOTE: 610 mm and 762 mm models require the same opening dimensions.  
Dashed line represents profile of unit.

OPENING WIDTH	
DROP DOWN DOOR MICROWAVE	W
610 mm Model	562 mm
762 mm Model	562 mm

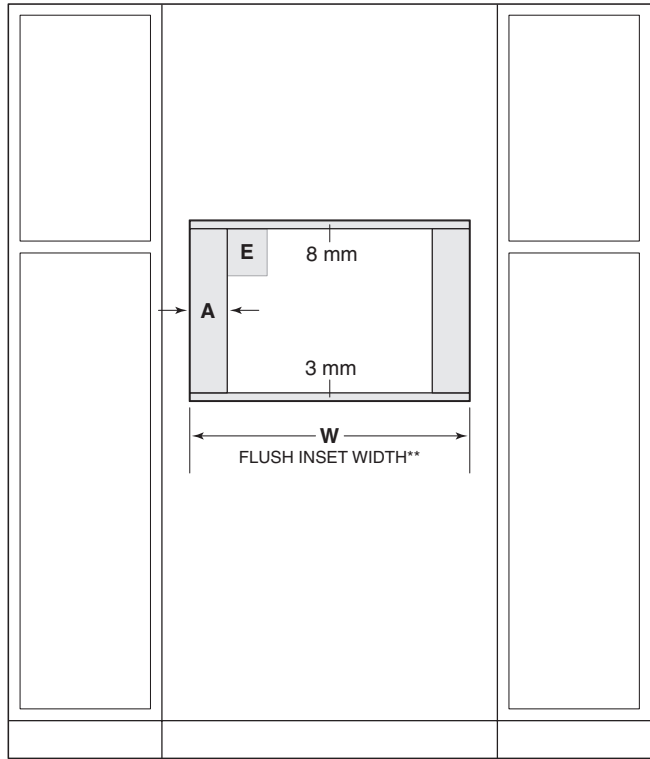


## Drop Down Door Microwave Oven

### FLUSH INSET INSTALLATION



SIDE VIEW



FRONT VIEW

\*Will be visible and should be finished to match cabinetry.

\*\*Dimension provides minimum reveals.

NOTE: Dashed line represents profile of unit.

FLUSH INSET WIDTH		
DROP DOWN DOOR MICROWAVE	W	A
610 mm Model	603 mm	21 mm
762 mm Model	765 mm	102 mm

## Warming Drawers

Wolf warming drawers are designed to take care of prepared foods until it's time to serve them. You can adjust the temperature, keeping moist foods moist and crisp foods crisp. Warming drawers are ideal for proofing dough. Drawer fronts are available to match the look of Wolf ovens and sealed burner rangetops. The integrated drawer front allows for a custom wood panel and handle.

### KEY FEATURES

- 850-watt heating element with temperature control range of 25°C to 95°C.
- Spacious 42 L interior capacity.
- Preset, four-hour automatic shutoff.
- Hidden electronic touch controls for sleek appearance.
- Ball-bearing drawer glides for smooth, full extension.
- Accessory six-piece container set available.

### WARMING DRAWER FRONTS

#### M / E SERIES



Transitional



Professional



Contemporary

#### INTEGRATED



Custom Panel

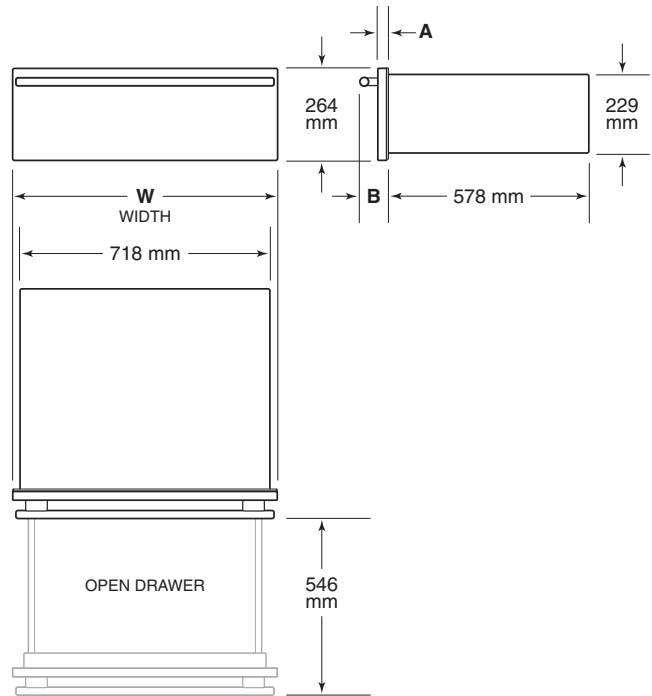
## Warming Drawers

### DRAWER FRONT OPTIONS

Wolf warming drawer fronts allow for many design options, but the warming drawer itself will be the same for all applications. A panel mounting kit is required when installing a custom panel. The panel mounting kit is available through an authorized Wolf dealer.

The 51 mm thick drawer front, in 762 mm and 914 mm widths, is designed to be installed below a sealed burner rangetop, so the panel aligns properly with the front of the rangetop. Dimensions for the warming drawer remain the same, even though the drawer front may be wider to match a Wolf 914 mm oven or sealed burner rangetop.

### DIMENSIONS



#### DRAWER FRONT

MODEL	W	
762 mm Drawer Front	759 mm	
914 mm Drawer Front	911 mm	
M SERIES	A	B
Transitional / Professional	22 mm	83 mm
Contemporary	25 mm	86 mm
E SERIES	A	B
Transitional / Professional	29 mm	89 mm
Professional (51 mm thick)	54 mm	114 mm
Contemporary	35 mm	95 mm

#### INTEGRATED DRAWER FRONT

CUSTOM PANEL	W	H	D
Typical Dimensions	759 mm	264 mm	19 mm
Min Thickness			16 mm

## Planning Information

The warming drawer must be installed with a Wolf drawer front, available through an authorized Wolf dealer. Specific installation instructions are included with the drawer front.

The warming drawer can be installed in a standard or flush inset application.

For a standard installation, the drawer collar and front panel sit proud of the cabinet face frame. A recessed installation requires the cabinetry be recessed by 5 mm so the collar is flush with the cabinet face frame but the drawer front will sit proud. A flush inset installation requires the drawer collar and front panel be recessed to be flush with surrounding cabinetry. Refer to illustrations on the following pages for minimum cabinet dimensions for your specific installation.

Finish the edges of the opening. They may be visible when the drawer is open.

For standard installations, face trim will overlap stiles and rails. Refer to the chart below.

For flush inset installations, a minimum 3 mm reveal is required on all sides. To ensure consistent reveals, each corner of the opening must be exactly 90°.

INSTALLATION REQUIREMENTS	
<b>BASE SUPPORT</b>	<b>MIN</b>
Warming Drawer	90 kg
<b>TRIM OVERLAP</b>	
Top, Bottom and Sides	16 mm

## ELECTRICAL

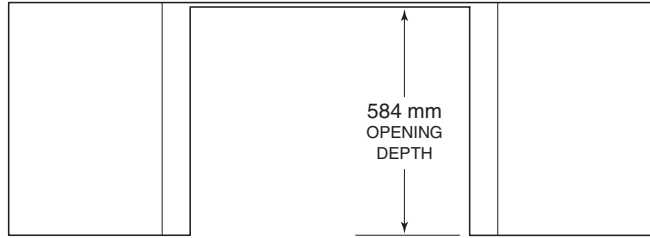
Installation must comply with all applicable electrical codes and be properly grounded (earthed).

Locate the electrical supply flush with the back wall and within the shaded area shown in the illustrations on the following pages. For ease of installation, the electrical supply for the warming drawer can be placed in an adjacent cabinet within reach of the power cord.

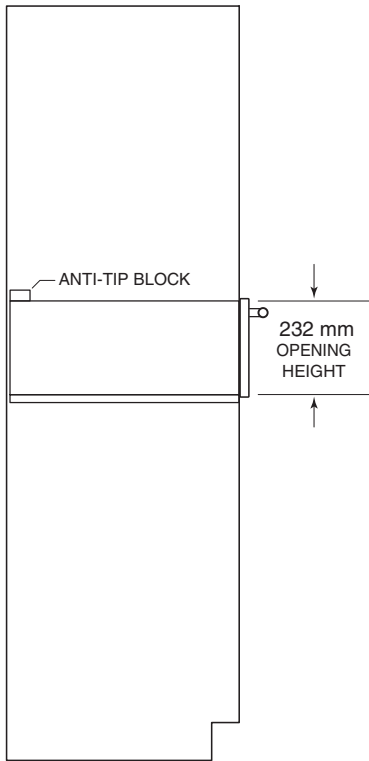
ELECTRICAL REQUIREMENTS	
Electrical Supply	220-240 V AC, 50/60 Hz
Maximum Connected Load	850W
Receptacle	10A
Power Cord	.9 m

Warming Drawer

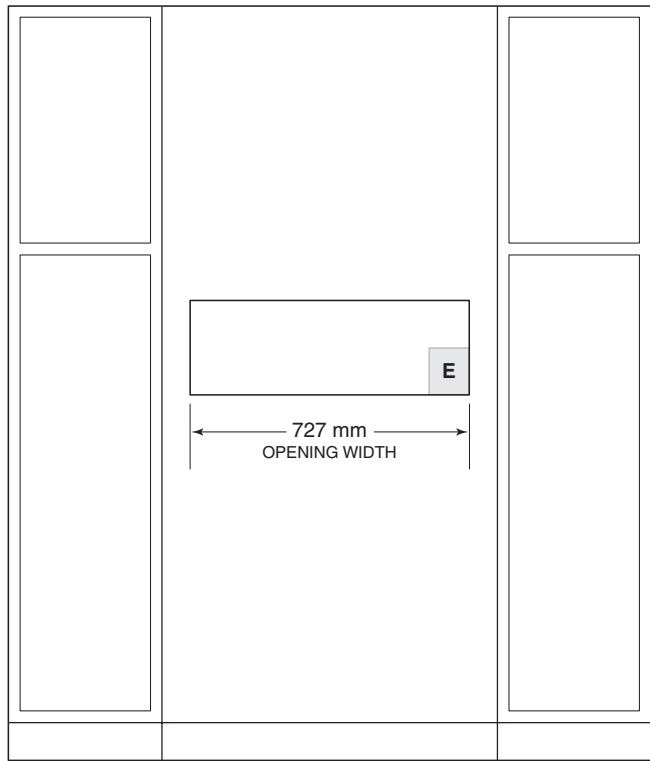
STANDARD INSTALLATION



TOP VIEW



SIDE VIEW

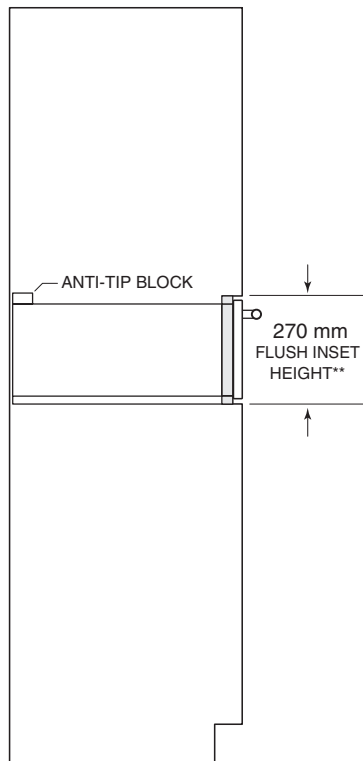
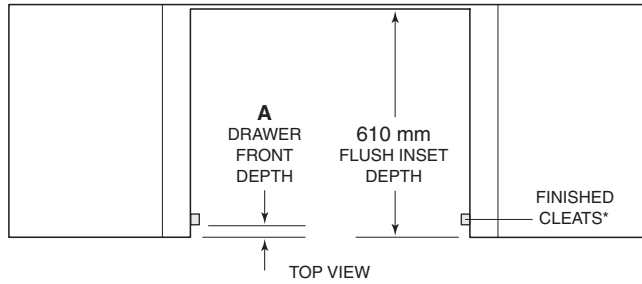


FRONT VIEW

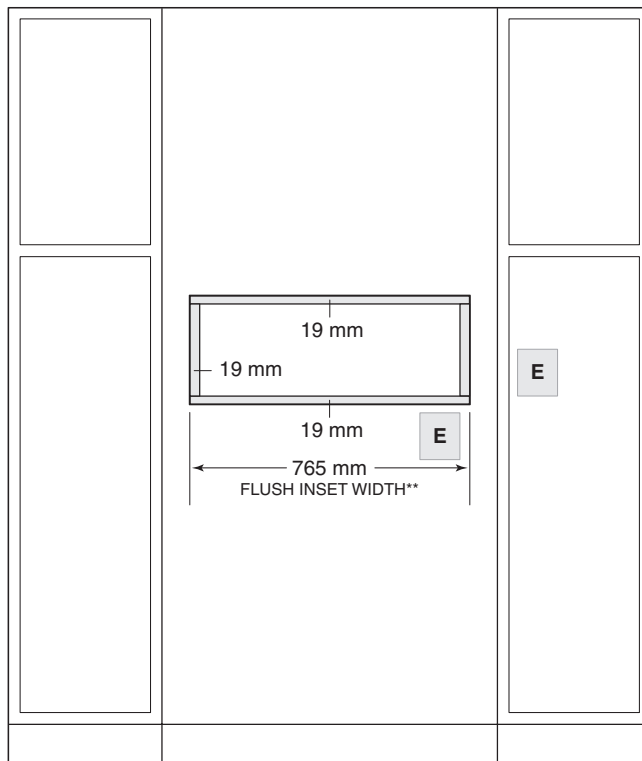
NOTE: Location of electrical supply within opening may require additional cabinet depth.

Warming Drawer

FLUSH INSET INSTALLATION



SIDE VIEW



FRONT VIEW

\*Will be visible and should be finished to match cabinetry.

\*\*Dimension provides minimum reveals.

NOTE: Location of electrical supply within opening may require additional cabinet depth.

DRAWER FRONT DEPTH		
A	M SERIES	E SERIES
Transitional / Professional	22 mm	29 mm
Professional (51 mm thick)	NA	54 mm
Contemporary	25 mm	35 mm

Custom front panel depth is dependent on panel thickness.

## Wolf Products Limited Warranty

INTERNATIONAL PRODUCTS  
FOR RESIDENTIAL USE ONLY

### FULL TWO YEAR WARRANTY

For two years from the date of original installation, your Wolf Appliance product warranty covers all parts and labor to repair or replace, under normal residential use, any part of the product that proves to be defective in materials or workmanship. All service provided by Wolf Appliance under the above warranty must be performed by Wolf factory certified service, unless otherwise specified by Wolf Appliance, Inc. Service will be provided during normal business hours.

### LIMITED THIRD THROUGH FIFTH YEAR WARRANTY

For five years from the date of original installation, Wolf Appliance will repair or replace the following parts that prove to be defective in materials or workmanship: gas burners (excluding appearance), electric heating elements, blower motors (ventilation hoods), electronic control boards, magnetron tubes and induction generators. The part(s) will be repaired or replaced, free of charge, with the owner paying for all other costs including labor. All service provided by Wolf Appliance under the above warranty must be performed by Wolf factory certified service, unless otherwise specified by Wolf Appliance, Inc. Service will be provided during normal business hours.



WOLF APPLIANCE, INC.  
PO BOX 44848  
MADISON, WI 53744 USA  
WOLFAPPLIANCE.COM

