



Design Guide

Classic Series

Flush Inset Overlay

ICB REVISED 5/2022

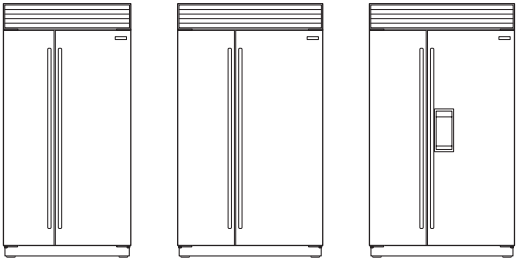


Classic Series Models

For the Classic series refrigeration, Sub-Zero designers and engineers took a fresh look at everything, inside and out. Exterior refinements include redesigned grilles and lower-profile hinges. Inside, new technology in food preservation makes the Classic series refrigeration nothing short of revolutionary.

Features and specifications are subject to change at any time without notice.
Throughout this guide, dimensions may vary by ± 3 mm.

SIDE-BY-SIDE MODELS



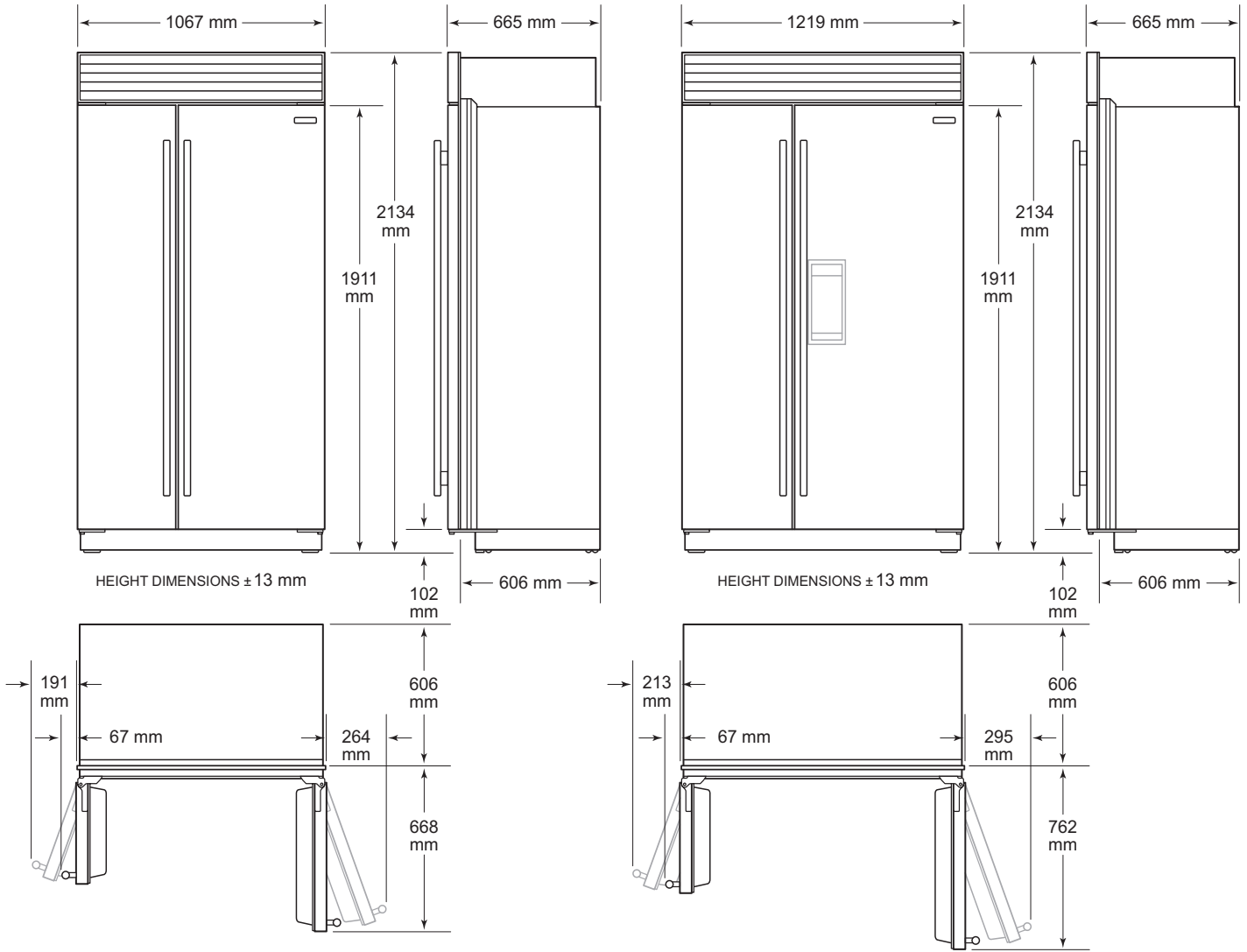
ICBCL4250S(ID)

ICBCL4850S(ID)

ICBCL4850SD

Overall Dimensions

SIDE-BY-SIDE

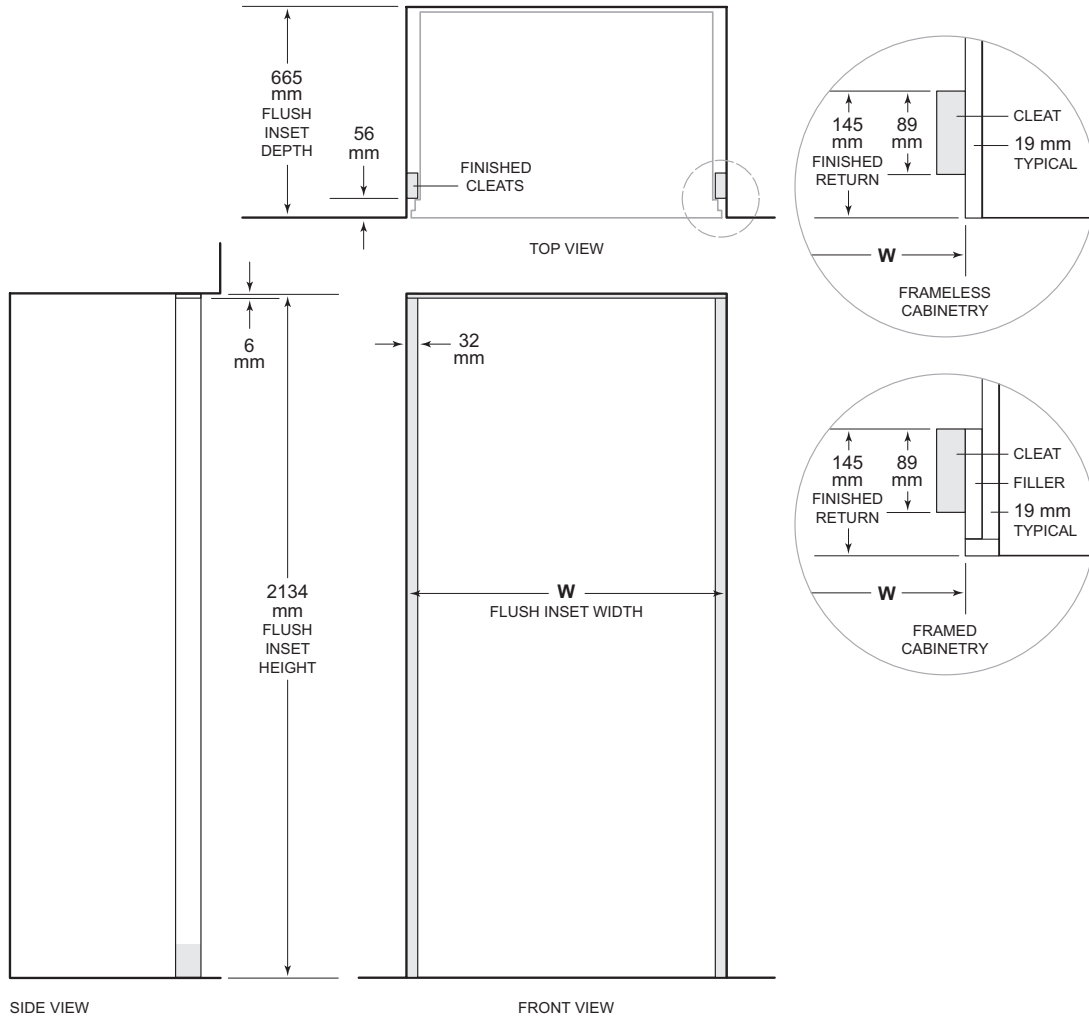


Model ICBCL4250S(ID)

Model ICBCL4850S(ID), ICBCL4850SD

Opening Dimensions

FLUSH INSET INSTALLATION



NOTE: 89 mm finished returns and shaded areas will be visible and should be finished to match cabinetry. Shaded line represents profile of unit with 19 mm panel.

FLUSH INSET WIDTH	W
914 mm Model	965 mm
1067 mm Model	1118 mm
1219 mm Model	1270 mm

Flush inset is available for overlay models only. Dimensions assume a 19 mm panel thickness.

Electrical Requirements

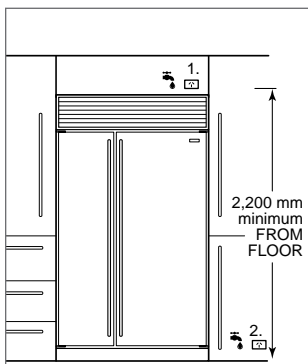
Installation must comply with all applicable electrical codes.

International models from the factory require a 220-240 V AC, 50/60 Hz electrical supply, fused at the correct rating for the unit. If required by local or national codes, the power cord can be easily replaced using the power inlet device.

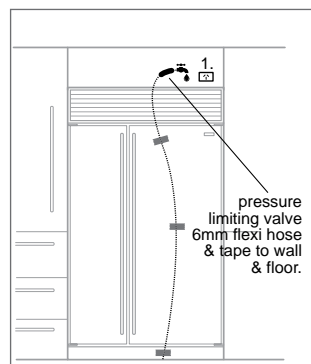
The electrical supply should be easily accessible and positioned either in a cabinet above the refrigerator, **a minimum of 2200mm above the floor** or in adjacent cabinet. If freestanding then locate the powerpoint as per the diagram below.

ELECTRICAL REQUIREMENTS

Electrical Supply	220-240 V AC, 50/60 Hz
Service	10 amp
Receptacle	3-prong grounding-type (earthed)



Classic Series. Alternative locations of power & water supply depending on ease of access.



1. Classic Series. Water supply above fridge. Location of 6mm flexible hose. Tape to wall and floor with pressure limiting valve next to tap.

Plumbing Requirements

Installation must comply with all applicable plumbing codes.

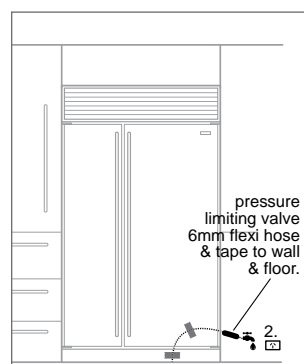
For Classic Series models with an automatic ice maker, a pressure limiting valve and 5 metres of flexible 6mm pipe with fittings is included in the refrigerator carton. Connect the pressure limiting valve close to the water tap, **checking the water flow is in the right direction. Ensure water connection is 1/2" BSP male threaded outlet.** Fix the 6mm water line to the wall and floor to ensure it is not compressed when the refrigerator is pushed into the cavity.

The water tap should be easily accessible and positioned either in a cabinet above the refrigerator, **a minimum of 2200mm above the floor**, or in adjacent cabinet. The water line must not interfere with installation of the anti-tip brackets.

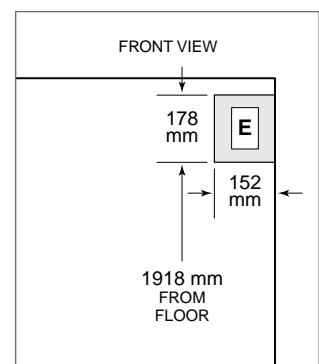
A reverse osmosis system can be used provided there is constant water pressure of 2.4–8.3 bar supplied to the unit at all times. A copper line is not recommended for this application.

PLUMBING REQUIREMENTS

Water Supply Line	6.4 mm OD copper, braided stainless steel, or PEX tubing
Water Pressure	2.4–8.3 bar
Excess Line for Connection	.9 m



2. Classic Series. Water supply beside fridge. Location of 6mm flexible hose. Tape to wall and floor with pressure limiting valve next to tap.



Freestanding location of power supply.

Custom Panels

For flush inset applications, custom door panels must be provided. Handle hardware must also be provided for flush inset applications. Refer to Panel Requirements below and the charts on the following pages for custom panel dimensions for your specific design application.

Finish all sides of the custom panels. They may be visible when the door is open.

PANEL REQUIREMENTS

WEIGHT PER PANEL	MAX
All Flush Inset Overlay Models	23 kg
Grille Panel	6 kg

Panel Thickness	19 mm
-----------------	-------

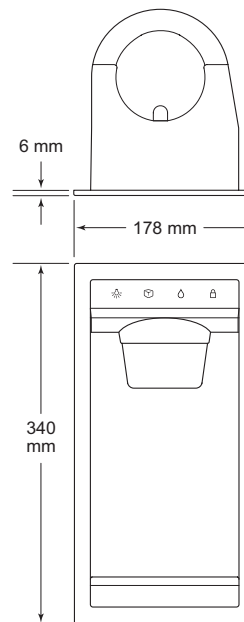
PANEL MOUNTING KIT

The Sub-Zero custom panel mounting kit eliminates the need for the backer and spacer panels and is available through an authorized Sub-Zero dealer.

The kit consists of mounting cleats, screws, and gauges used to properly position the cleats. The kit is available for all Classic series models except glass door models. Dual installations require two mounting kits.

ICE AND WATER DISPENSER

For model ICBCL4850SD, the refrigerator door panel must include a cutout to accommodate the external dispenser. The bezel will accommodate a minimum 19 mm thick panel. Panels thicker than 19 mm must be routed to 22 mm in the dispenser area (29 mm including the backer and spacer panels).



Dispenser dimensions

Flush Inset Panels

The flush inset application is an overlay model with flush inset panels. It is not a separate model.

The flush inset design allows custom panels to be installed flush with adjacent cabinets. Flush inset panels are typically created by combining a 19 mm custom panel, a 3 mm spacer panel, and a 6 mm backer panel. Refer to the illustration below.

For flush inset panels thicker than 19 mm, a 90° door stop may be required to prevent interference with adjacent cabinets. Refer to the full-scale templates at the end of this guide.

PANEL OFFSET

The illustrations on the right provide panel offsets and reveals for Classic series models in a flush inset application. Refer to the chart below for reference to the illustrations.

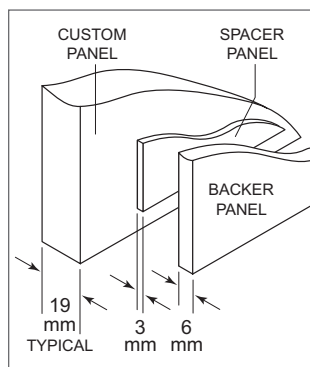
PANEL OFFSET

SIDE-BY-SIDE

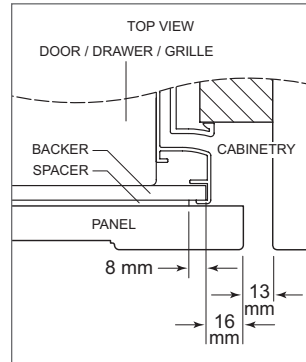
- Doors (hinge) / Grille Sides
- Doors (handle) Sides
- Grille Top
- Grille Bottom / Door Top
- Door Bottom

ILLUS

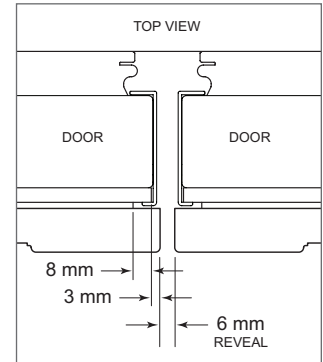
- A
- B
- C
- D
- E



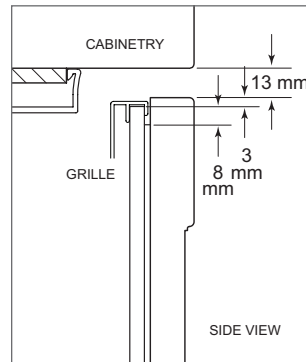
Panel assembly (rear view)



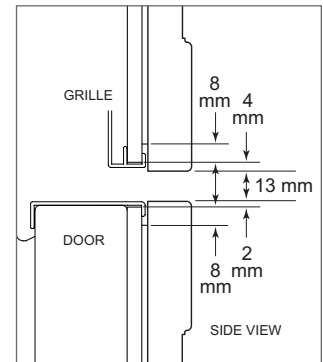
Illus. A



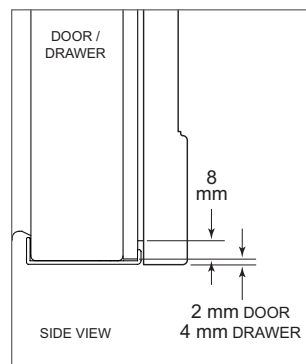
Illus. B



Illus. C

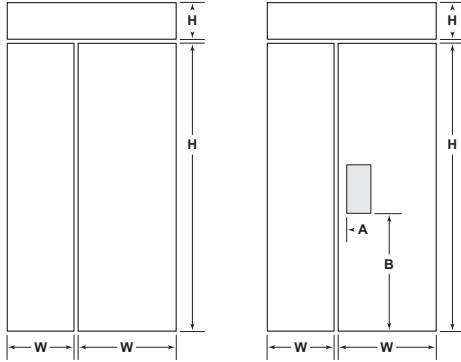


Illus. D



Illus. E

Flush Inset Panel Dimensions



ICBCL4250S(ID)
ICBCL4850S(ID)

ICBCL4850SD

MODEL ICBCL4250S(ID)

REFRIGERATOR	W	H
Flush Inset Panel	649 mm	1810 mm
Spacer Panel	614 mm	1789 mm
Backer Panel	630 mm	1805 mm

FREEZER	W	H
Flush Inset Panel	437 mm	1810 mm
Spacer Panel	402 mm	1789 mm
Backer Panel	418 mm	1805 mm

GRILLE	W	H
Flush Inset Panel	1092 mm	197 mm
Spacer Panel	1045 mm	173 mm
Backer Panel	1060 mm	189 mm

MODEL ICBCL4850S(ID), ICBCL4850SD

REFRIGERATOR	W	H
Flush Inset Panel	743 mm	1810 mm
Spacer Panel	708 mm	1789 mm
Backer Panel	724 mm	1805 mm

FREEZER	W	H
Flush Inset Panel	495 mm	1810 mm
Spacer Panel	460 mm	1789 mm
Backer Panel	476 mm	1805 mm

GRILLE	W	H
Flush Inset Panel	1245 mm	197 mm
Spacer Panel	1197 mm	173 mm
Backer Panel	1213 mm	189 mm

ICBCL4850SD	W	H
Dispenser Cutout	162 mm	330 mm
Cutout Location	A 54 mm	B 832 mm

Standard Handles

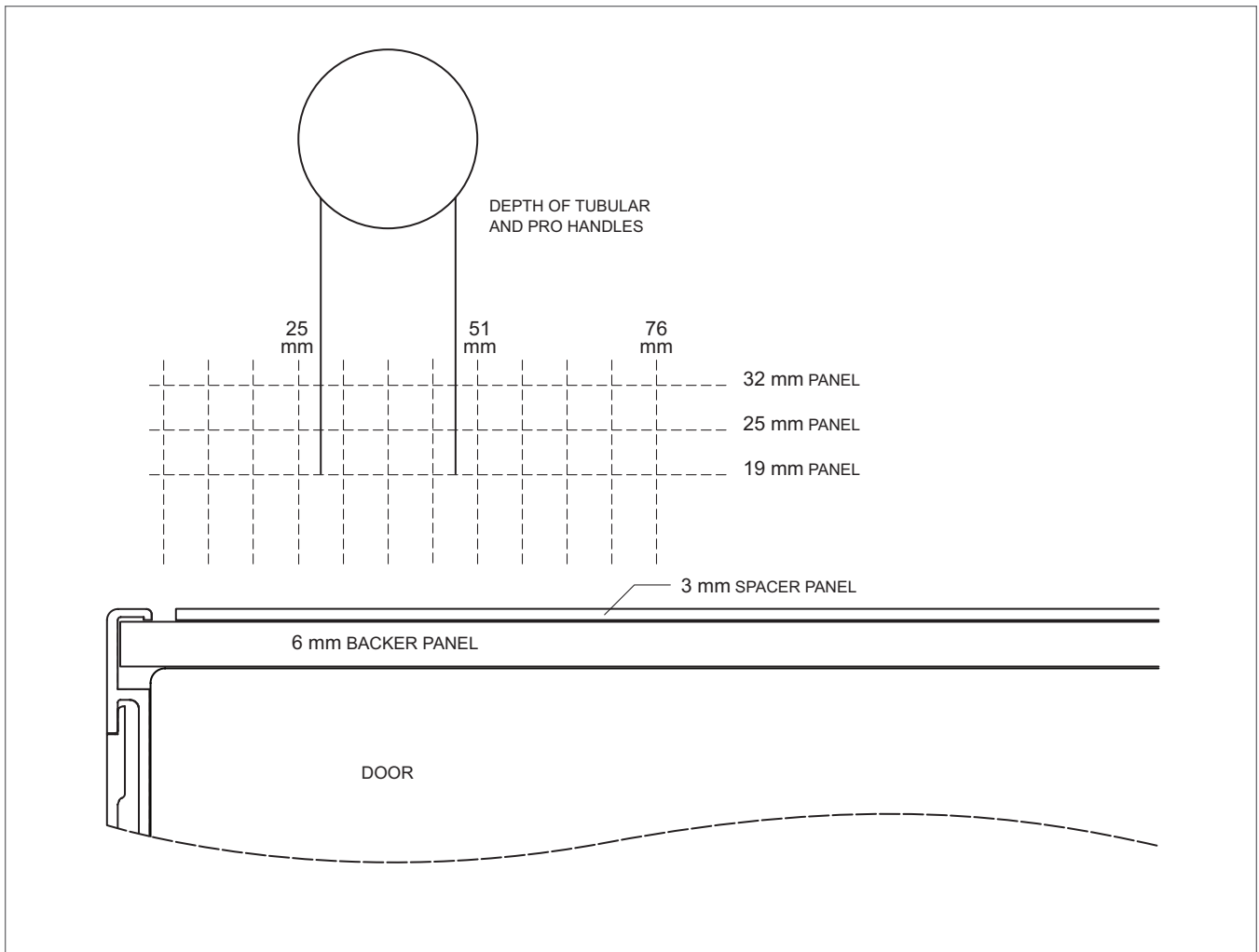
Optional stainless steel tubular and pro handles are available through an authorized Sub-Zero dealer. Refer to the chart below for standard handle lengths.

HANDLE LENGTH	TUBULAR	PRO
Full Door	1622 mm	1147 mm
Over-and-Under Door	1124 mm	952 mm
914 mm Drawer	770 mm	600 mm
1067 mm Drawer	922 mm	753 mm

Flush Inset Panels

FULL-SCALE TEMPLATE

Flush inset panels must be a minimum of 19 mm thick to support mounting the handle. Panel thickness does not include the backer and spacer panels. Mount the handle close to the opening edge of the door.

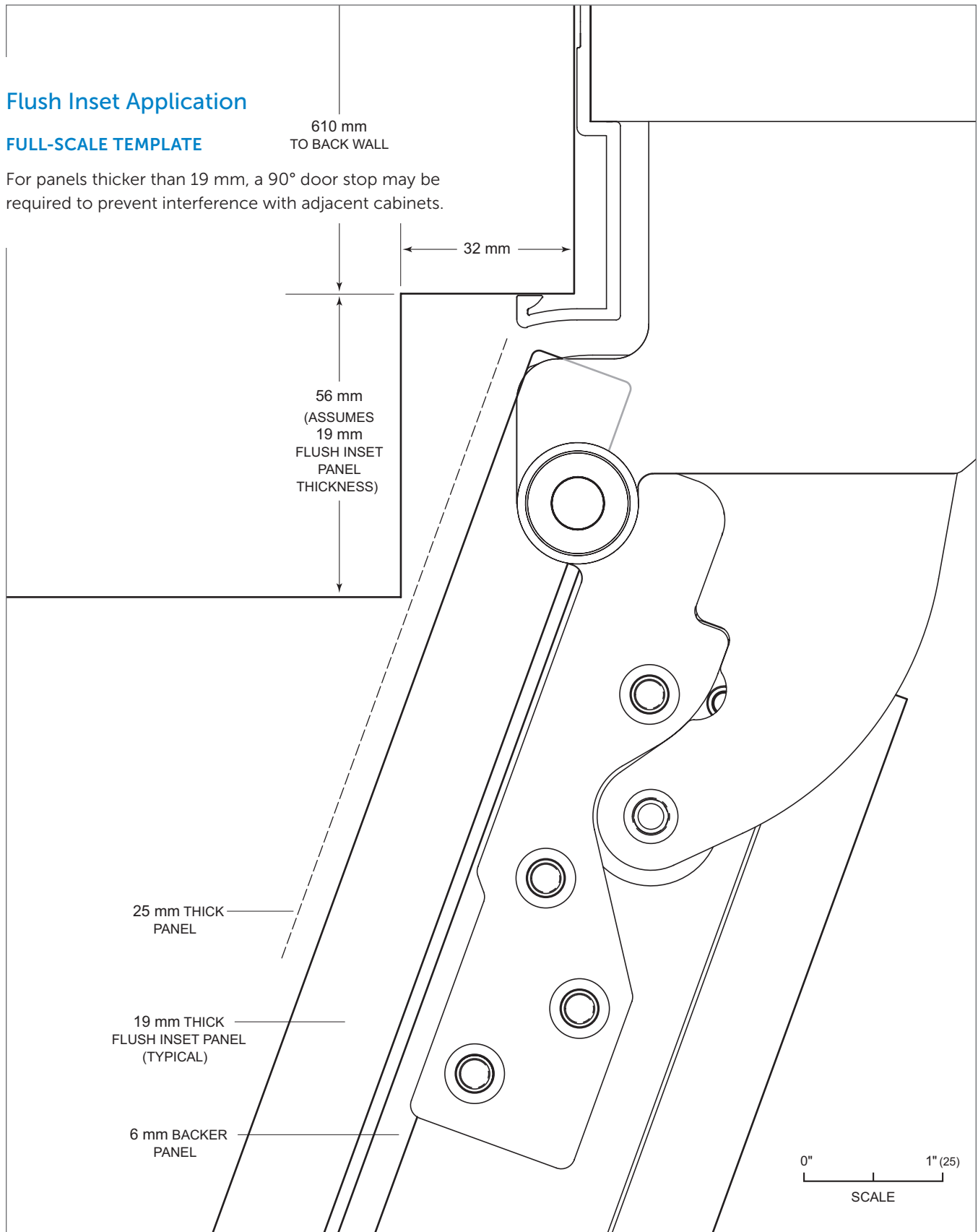


Overlay and flush inset panel thickness

Flush Inset Application

FULL-SCALE TEMPLATE

For panels thicker than 19 mm, a 90° door stop may be required to prevent interference with adjacent cabinets.



110° door opening (top view)

Sub-Zero International Limited Warranty

FOR RESIDENTIAL USE

These Warranty Terms and Conditions ('Warranty') constitute your agreement with Sub-Zero Group Australia Pty Ltd (ACN 610 807 899) ('Sub-Zero') and will apply to your service order. The benefits given by this Warranty are in addition to all consumer guarantees and other rights and remedies prescribed by the Australian Consumer Law and any other applicable laws.

Our products come with guarantees that cannot be excluded under the Australian Consumer Law. You are entitled to a replacement or refund for a major failure and compensation for any other reasonably foreseeable loss or damage. You are also entitled to have the goods repaired or replaced if the goods fail to be of acceptable quality and the failure does not amount to a major failure.

In addition to your rights and remedies under the Australian Consumer Law, Sub-Zero provides customers with a Warranty where, if any part of a Sub-Zero Product is found upon inspection by an authorised Sub-Zero representative or an associated licensed technician supplied by either Sub-Zero or a relevant approved supplier (including a Sub-Zero factory certified service) ('Service Representative') to be defective in materials or workmanship, Sub-Zero will repair or replace the part free of charge as follows:

FULL TWO YEAR WARRANTY* (**Outdoor product full one year warranty)

For two years from the date of original installation, this Sub-Zero product warranty covers all parts and labour to repair or replace, under normal residential use, any part of the product that proves to be defective in materials or workmanship. All service provided by Sub-Zero under the above warranty must be performed by Sub-Zero factory certified service, unless otherwise specified by Sub-Zero, Inc. Where the Service Representative is unable to identify any fault in the product, Sub-Zero may require the consumer to provide proof that the product is defective. For the avoidance of doubt, defective products or parts become Sub-Zero's property. Service will be provided during normal business hours.

FULL FIVE YEAR SEALED SYSTEM WARRANTY*

For five years from the date of original installation, this Sub-Zero product warranty covers all parts and labour to repair or replace, under normal residential use, these parts that prove to be defective in materials or workmanship: compressor, condenser, evaporator, drier and all connecting tubing. All service provided by Sub-Zero under the above warranty must be performed by Sub-Zero factory certified service, unless otherwise specified by Sub-Zero, Inc. Where the Service Representative is unable to identify any fault in the product, Sub-Zero may require the consumer to provide proof that the product is defective. For the avoidance of doubt, defective products or parts become Sub-Zero's property. Service will be provided during normal business hours.

TERMS APPLICABLE TO EACH WARRANTY*

The warranty applies only to products installed for normal residential use. This warranty does not cover any parts or labour to correct any defect caused by negligence, accident or improper use, maintenance, installation, service or repair.

CLAIM PROCEDURE*

In order to claim the Warranty, you must cease using the product when a fault arises, contact Sub-Zero or authorised Sub-Zero dealer where the product was purchased to report the issue and follow Sub-Zero's directions regarding what to do next. Sub-Zero's general contact details are as follows:

Sub-Zero Group Australia
11-19 Bank Place
Melbourne VIC 3000
Phone: 03 9600 2218 Email: serviceAU@subzero.com

CLAIM PROCEDURE*

Except to the extent required by law, all consumer guarantees, representations, warranties, terms and conditions in relation to the products (whether implied or otherwise) are hereby excluded to the maximum extent permitted by law.

To the fullest extent permitted by law, Sub-Zero excludes all liability for damage or injury to any person, damage to any property and any indirect consequential or other loss or damage.

*Stainless steel (doors, panels, handles, product frames and interior surfaces) are covered by a limited 60-day parts and labour warranty for cosmetic defects.

*Replacement water filters and air purification cartridges are not covered by the product warranty.

**Full one year warranty applies to outdoor product. Product must be approved for outdoor use, designated by model and serial number.

