



---

DESIGN GUIDE

NEW GENERATION PRO SERIES  
REFRIGERATORS

## TABLE OF CONTENTS

---

3	PRO REFRIGERATION
---	-------------------



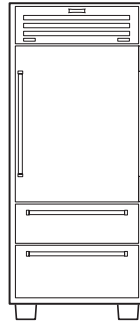
Features and specifications are subject to change at any time without notice.

Throughout this guide, dimensions may vary by  $\pm 3$  mm.

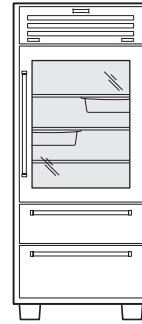
### PRO Refrigeration

Freshness finds unmistakable expression with Sub-Zero PRO Refrigeration. A monument to food preservation—equal parts sculpted metal design statement and culinary secret weapon. Its vast interior, like its bold exterior, is crafted of stainless steel. Available in 914 mm and 1219 mm widths, with a glass or solid door, and may be either built in or freestanding.

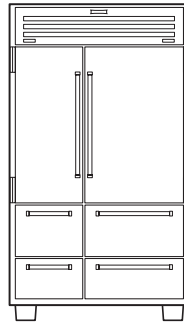
#### PRO MODELS



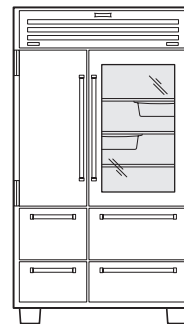
ICBPRO3650



ICBPRO3650G



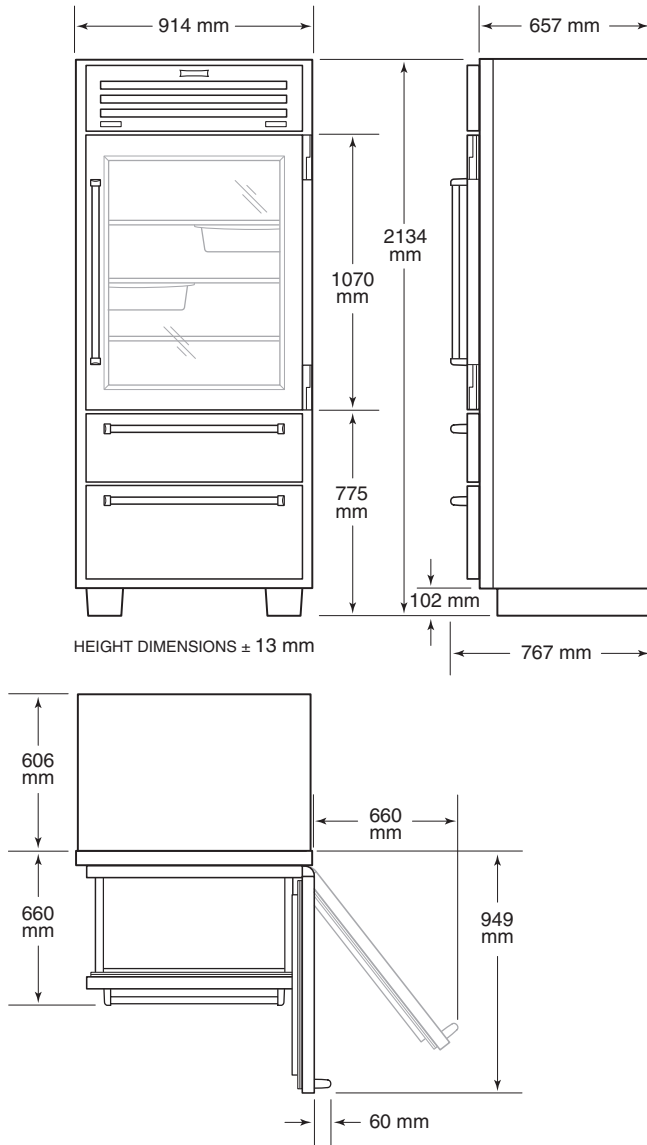
ICBPRO4850



ICBPRO4850G

## Overall Dimensions

### 914 mm MODEL



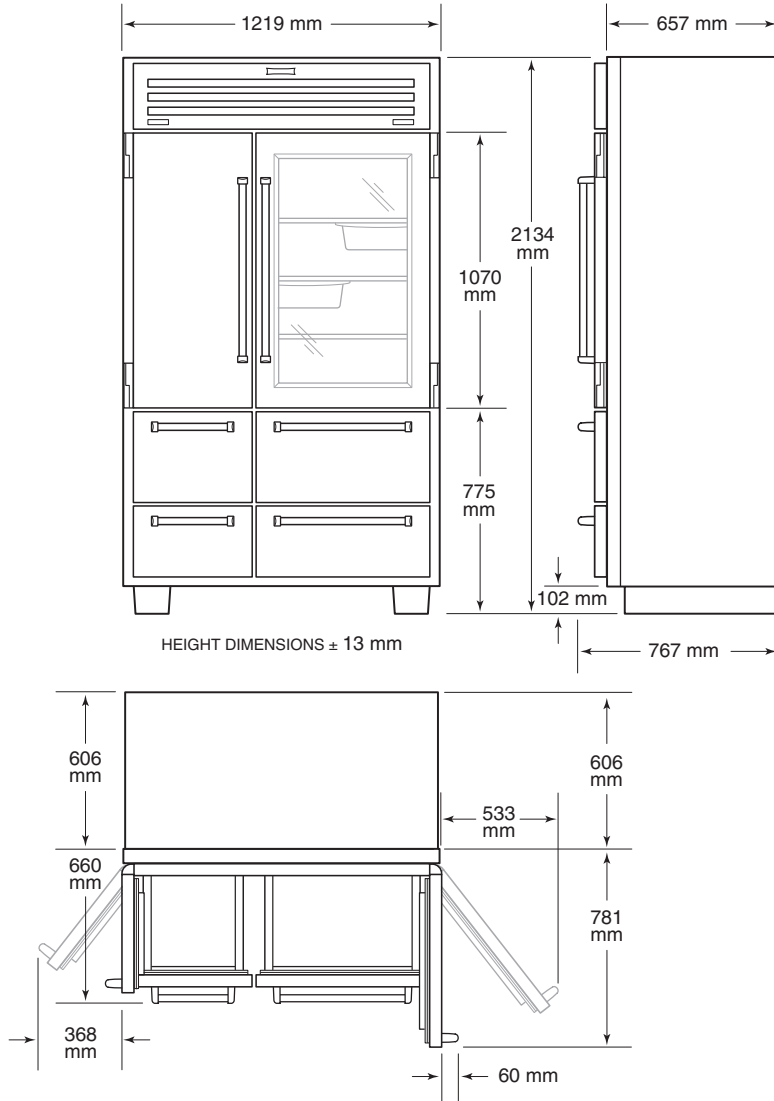
Model ICBPRO3650 / ICBPRO3650G

### SPECIFICATIONS

INTERIOR CAPACITY	L	L
ICBPRO3650	521	122
ICBPRO3650G	521	122
SHIPPING WEIGHT		KG
ICBPRO3650		286
ICBPRO3650G		295

### Overall Dimensions

#### 1219 mm MODEL



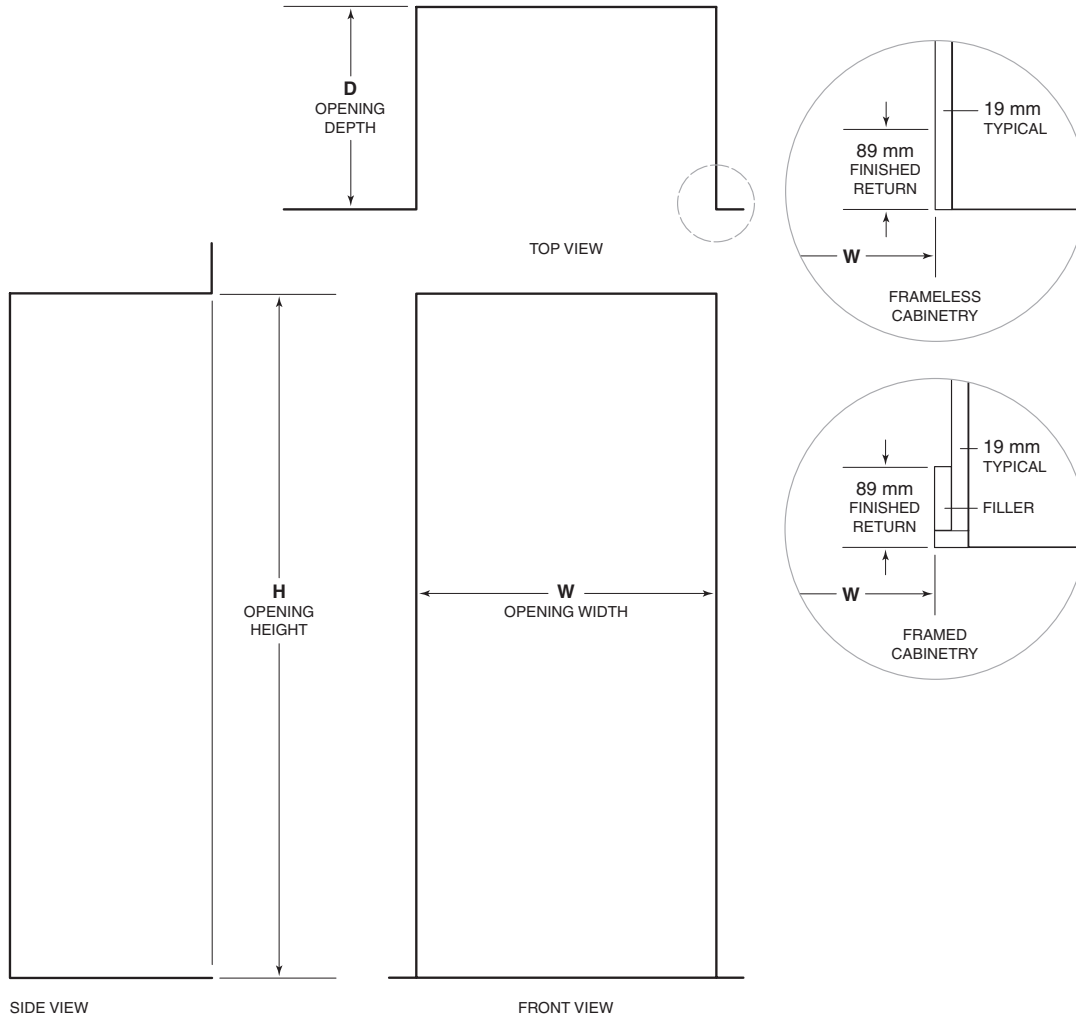
Model ICBPRO4850 / ICBPRO4850G

#### SPECIFICATIONS

INTERIOR CAPACITY	L	L
ICBPRO4850	521	331
ICBPRO4850G	521	331
SHIPPING WEIGHT	KG	
ICBPRO4850	390	
ICBPRO4850G	399	

## Opening Dimensions

### STANDARD | FLUSH INSTALLATION



NOTE: 89 mm finished returns will be visible and should be finished to match cabinetry.

STANDARD OPENING	W	H	D
914 mm Model	902 mm	2127 mm	620mm
1219 mm Model	1206 mm	2127 mm	620 mm

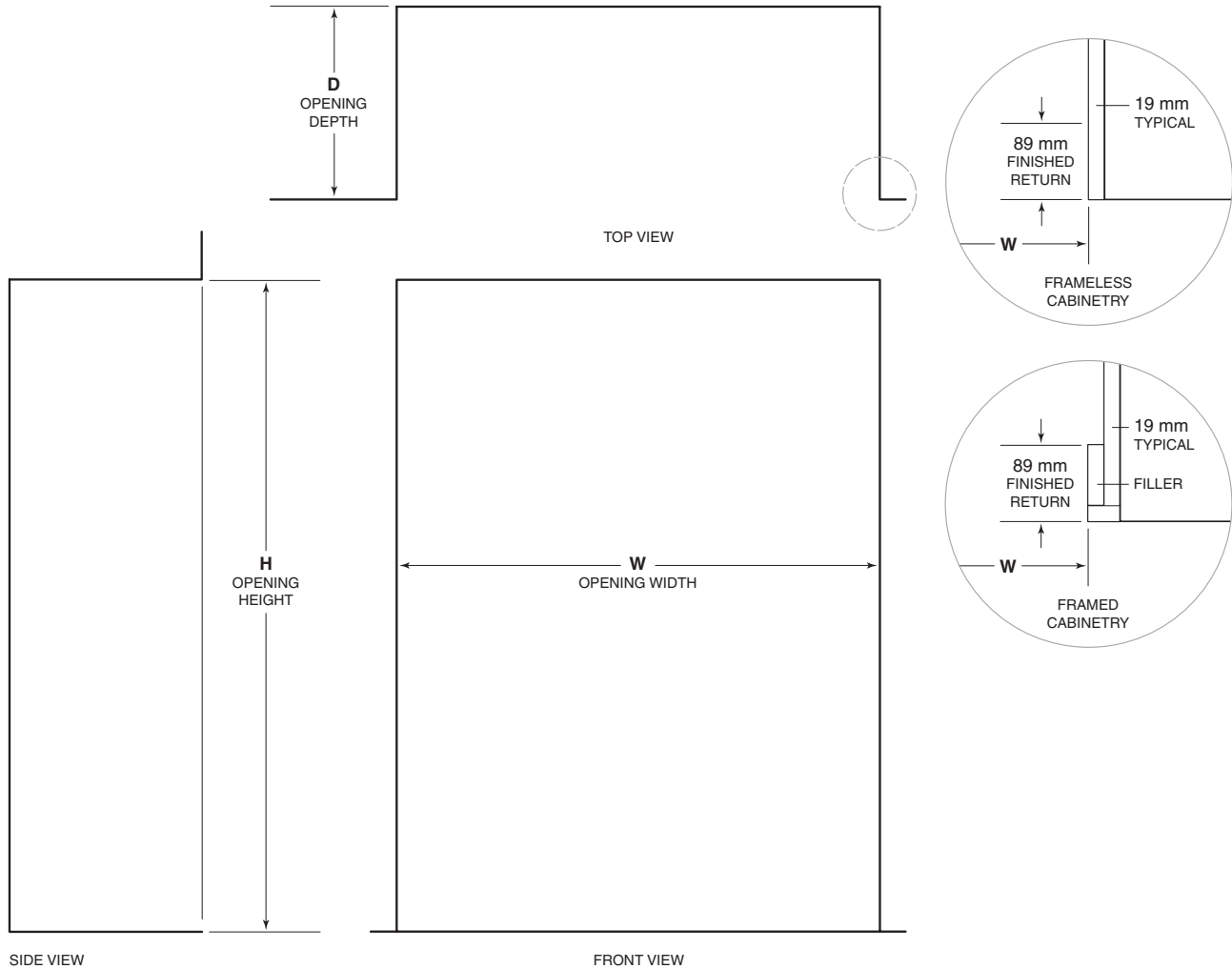
For standard installations, the face frame will extend 51 mm beyond cabinetry.

FLUSH OPENING	W	H	D
914 mm Model	914 mm	2137 mm	670 mm
1219 mm Model	1219 mm	2137 mm	670mm

For flush installations, the face frame will be flush with surrounding cabinetry.

## Opening Dimensions

### DUAL STANDARD | FLUSH INSTALLATION



SIDE VIEW

FRONT VIEW

NOTE: 89 mm finished returns will be visible and should be finished to match cabinetry.

DUAL STANDARD OPENING	W	H	D
Two 914 mm Models	1816 mm	2127 mm	610 mm

DUAL FLUSH OPENING	W	H	D
Two 914 mm Models	1829 mm	2137 mm	660 mm

For standard installations, the face frame will extend 51 mm beyond cabinetry. A dual installation kit is required for this installation.

For flush installations, the face frame will be flush with surrounding cabinetry. A dual installation kit is required for this installation.

### Electrical Requirements

Installation must comply with all applicable electrical codes and be properly grounded (earthed).

International models from the factory designed without a transformer require a 220-240 V AC, 50/60 Hz electrical supply, fused at the correct rating for the unit. If required by local or national codes.

Locate the electrical supply either side of the appliance in accessible cabinets, not behind the fridge.

#### ELECTRICAL REQUIREMENTS

Power Supply	220-240 V AC, 50/60 Hz
Circuit Breaker	10 amp
Receptacle	grounding-type (earthed)

### Plumbing Requirements

Installation must comply with all applicable plumbing codes.

Locate the water supply either side of the appliance in accessible cabinets, not behind the fridge. Connect the water supply line to the house supply with an easily accessible shut-off valve.

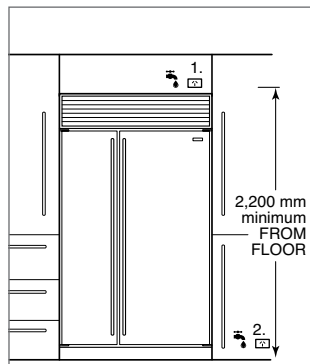
Ensure water connection is 1/2" BSP male threaded outlet with stop valve. Water line must be clipped to wall and floor to ensure it is not damaged by refrigerator.

The water supply line must not interfere with the installation of the anti-tip bracket.

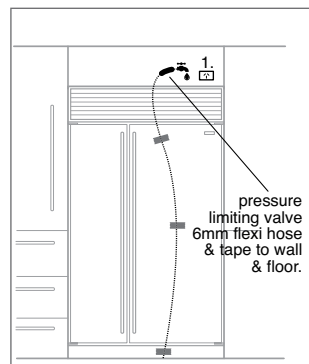
#### PLUMBING REQUIREMENTS

A reverse osmosis system can be used provided there is constant water pressure of 2.4-8.3 bar supplied to the unit at all times.

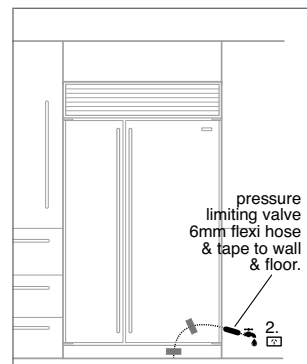
Excess Water Line for Connection .9 m



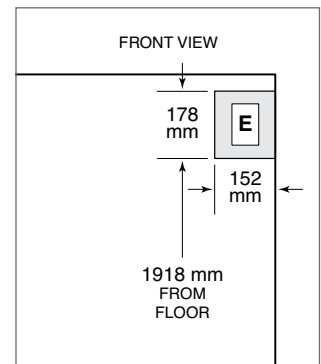
Built in. Alternative location of power & water supply depending on ease of access.



1. Built in. Water supply above fridge. Location of 6mm flexible hose. Tape to wall and floor with pressure limiting valve next to tap.



2. Built in. Water supply beside fridge. Location of 6mm flexible hose. Tape to wall and floor with pressure limiting valve next to tap.



Freestanding location of power supply.



## Standard Handles

Optional stainless steel pro handles are available through an authorized Sub-Zero dealer. Refer to the chart below for standard handle lengths for PRO models.

HANDLE LENGTH	914 mm MODEL	1219 mm MODEL
Door	703 mm	703 mm
Refrigerator Drawer	665 mm	506 mm
Freezer Drawer	665 mm	294 mm

Sub-Zero, Sub-Zero & Design, Sub-Zero & Snowflake Design, Dual Refrigeration, The Living Kitchen, Great American Kitchens The Fine Art of Kitchen Design, Wolf, Wolf & Design, Wolf Gourmet, W & Design, red colored knobs, Cove, and Cove & Design are registered trademarks and service marks of Sub-Zero Group, Inc. and its subsidiaries. All other trademarks are property of their respective owners in the United States and other countries.

## Sub-Zero International Limited Warranty

FOR RESIDENTIAL USE

### FULL TWO YEAR WARRANTY\*

For two years from the date of original installation, this Sub-Zero product warranty covers all parts and labor to repair or replace, under normal residential use, any part of the product that proves to be defective in materials or workmanship. All service provided by Sub-Zero under the above warranty must be performed by Sub-Zero factory certified service, unless otherwise specified by Sub-Zero, Inc. Service will be provided during normal business hours.

### FULL FIVE YEAR SEALED SYSTEM WARRANTY

For five years from the date of original installation, this Sub-Zero product warranty covers all parts and labor to repair or replace, under normal residential use, these parts that prove to be defective in materials or workmanship: compressor, condenser, evaporator, drier and all connecting tubing. All service provided by Sub-Zero under the above warranty must be performed by Sub-Zero factory certified service, unless otherwise specified by Sub-Zero, Inc. Service will be provided during normal business hours.

For more information regarding your Sub-Zero product warranty, contact your authorized Sub-Zero dealer. Warranties must comply to all country, state, city, local and or ordinance.

\*Stainless steel (doors, panels, handles, product frames and interior surfaces) are covered by a limited 60-day parts and labor warranty for cosmetic defects.

\*Replacement water filters and air purification cartridges are not covered by the product warranty.



## Sub-Zero International Outdoor Limited Warranty\*

FOR RESIDENTIAL USE

### FULL ONE YEAR WARRANTY\*\*

For one year from the date of original installation, this Sub-Zero product warranty covers all parts and labor to repair or replace, under normal residential use, any part of the product that proves to be defective in materials or workmanship. All service provided by Sub-Zero under the above warranty must be performed by Sub-Zero factory certified service, unless otherwise specified by Sub-Zero, Inc. Service will be provided during normal business hours.

### FULL FIVE YEAR SEALED SYSTEM WARRANTY

For five years from the date of original installation, this Sub-Zero product warranty covers all parts and labor to repair or replace, under normal residential use, these parts that prove to be defective in materials or workmanship: compressor, condenser, evaporator, drier and all connecting tubing. All service provided by Sub-Zero under the above warranty must be performed by Sub-Zero factory certified service, unless otherwise specified by Sub-Zero, Inc. Service will be provided during normal business hours.

### TERMS APPLICABLE TO EACH WARRANTY

The warranty applies only to products installed for normal residential use. This warranty does not cover any parts or labor to correct any defect caused by negligence, accident or improper use, maintenance, installation, service or repair.

For more information regarding your Sub-Zero product warranty, contact your dealer. Warranties must comply to all country, state, city, local and or ordinance.

\*Product must be approved for outdoor use, designated by model and serial number.

\*\*Stainless steel (doors, panels, handles, product frames and interior surfaces) are covered by a limited 60-day parts and labor warranty for cosmetic defects.

\*\*Replacement water filters and air purification cartridges are not covered by the product warranty.





[subzero-wolf.com.au](http://subzero-wolf.com.au)