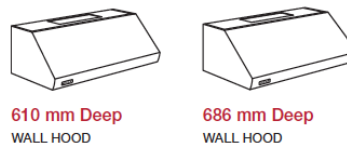


**Pro Ventilation Hoods.** Professional heritage shines through in Wolf professional-style ventilation. Exteriors are heavy-duty, welded stainless steel, so finely hand-finished that they appear seamless. Pro hoods are available in a variety of widths. Stainless steel baffle filters and halogen lighting extend the professional look and back it up with pro-level performance.

### KEY FEATURES

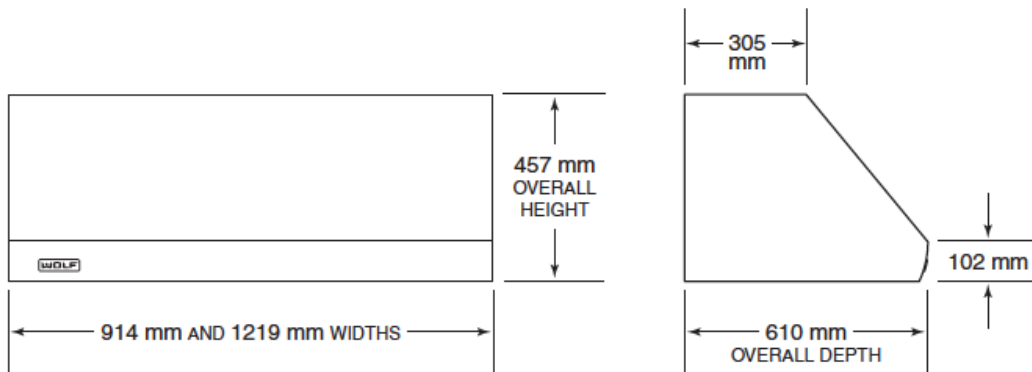
- Internal or remote blower options.
- Recessed easy-access controls.
- Infinite-speed ventilator control.
- Heat sentry to automatically turn unit on when excessive heat is sensed.
- Easy-to-clean stainless steel baffle filters.
- Heat lamp receptacles on 686 mm deep models

### PRO HOODS

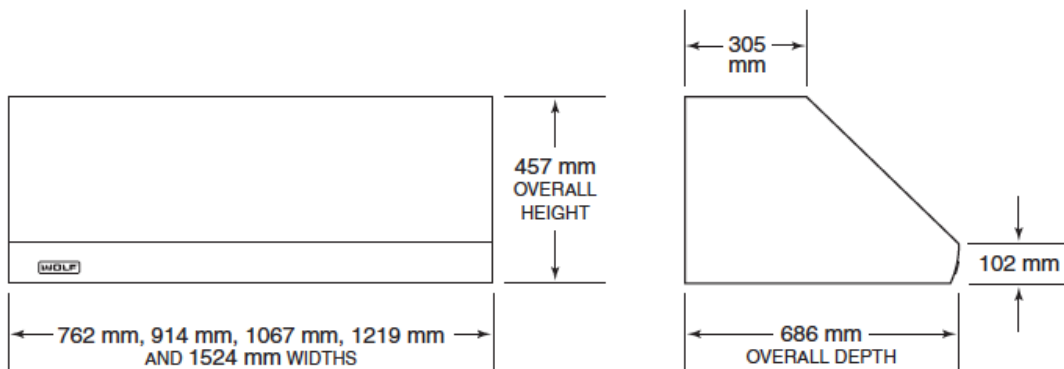


## Pro Hoods

### 610 mm DEEP WALL HOODS



### 686 mm DEEP WALL HOODS



## PRO VENTILATION

### Planning Information

Pro ventilation hoods are recommended for use with all Wolf cooking appliances. Wall hoods should be at least as wide as the cooking surface.

For optimal performance in wall hood applications, a pro 69 cm deep wall hood is recommended for use with ranges and rangetops with a charbroiler or griddle.

Pro hoods are shipped without a blower assembly. Internal and remote blowers are available through an authorized Wolf dealer.

The blower will vary in size and is dictated by the cooking unit, volume of air, and length of the duct run.

Pro hoods accommodate a 254 mm round duct and have a vertical discharge. For the 61 cm and 69 cm deep wall hoods, a horizontal discharge kit is available through an authorized Wolf dealer.

Consult a qualified HVAC professional for specific installation and ducting applications.

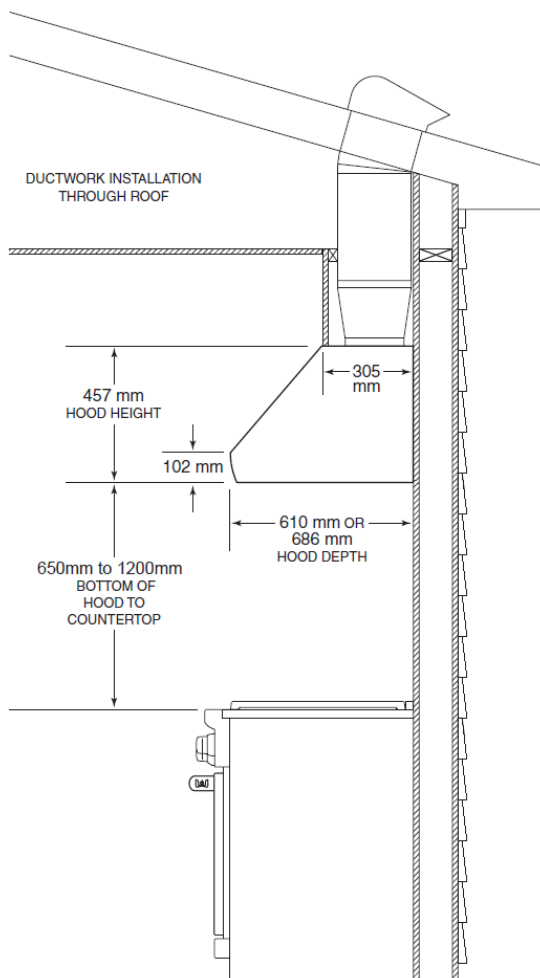
Optional stainless steel duct covers in a variety of heights are available for pro wall hoods through an authorized Wolf dealer.

## ELECTRICAL REQUIREMENTS

Installation must comply with all applicable electrical codes and be properly grounded (earthed).

## ELECTRICAL REQUIREMENTS

Electrical Supply 220-240 V AC, 50 Hz  
1.9 A



Typical installation shown  
Please see the relative cook top Design guide  
or installation manual for correct height of range  
hood.

