

**ICBBI-36S/S****FEATURES**

- LED Lighting for brighter interior
- Dual refrigeration keeps food fresher longer
- Air purification system fights spoilage, odours
- Crispers and deli drawers in low-temp, high-humidity zones for optimum freshness
- Microprocessor control assures peak performance
- Freshness cards for maximum food preservation
- Water-filtration system for ice reduces contaminants, chlorine taste and odor
- Rigorously tested to ensure decades of use
- Exceptional support from Customer Care team
- Magnetic door seal system locks in cold air
- Automatic ice maker with "max ice" feature
- Adjustable shelves for maximum convenience

**ACCESSORIES**

Grilles for 2108 mm or 2235 mm finished height (2134 mm is standard)

Dual installation kit with or without dual wide grille—2134 mm finished height

Accessories are available through an authorized dealer.  
For local dealer information, visit [subzero-wolf.com/locator](http://subzero-wolf.com/locator).

**HANDLE OPTIONS****PRO****TUBULAR****PRODUCT DETAILS****REFRIGERATOR**

- 4 Adjustable glass shelves
- 1 Stationary glass shelf
- 1 High-humidity drawer
- 2 Storage drawers
- 3 Adjustable door shelves
- 2 Stationary door shelves
- Adjustable dairy compartment
- Air purification system

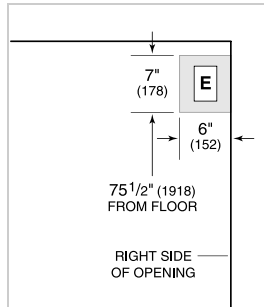
**FREEZER**

- 3 Adjustable wire shelves
- 1 Stationary solid shelf
- 3 Storage drawers
- 5 Adjustable door shelves
- Automatic ice maker
- Water filtration system

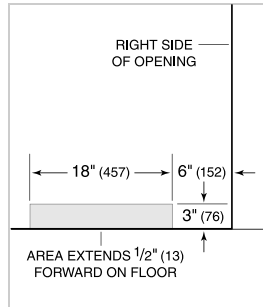
**PRODUCT SPECIFICATIONS**

Model	ICBBI-36S/S
Dimensions	914mmW x 2134mmH x 610mmD
Door Clearance	565mm
Weight	244 kg
Refrigerator Gross Capacity	377 L
Refrigerator Storage Capacity	331 L
Freezer Gross Capacity	262 L
Freezer Storage Capacity	220 L
Electrical Supply	220-240 VAC; 50/60 Hz
Electrical Service	≤ 4 A
Receptacle	3-prong grounding-type

**ELECTRICAL**

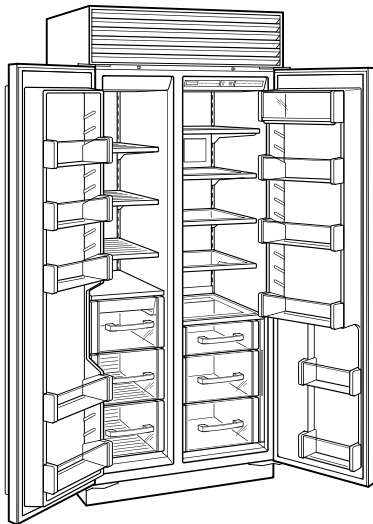


**PLUMBING**



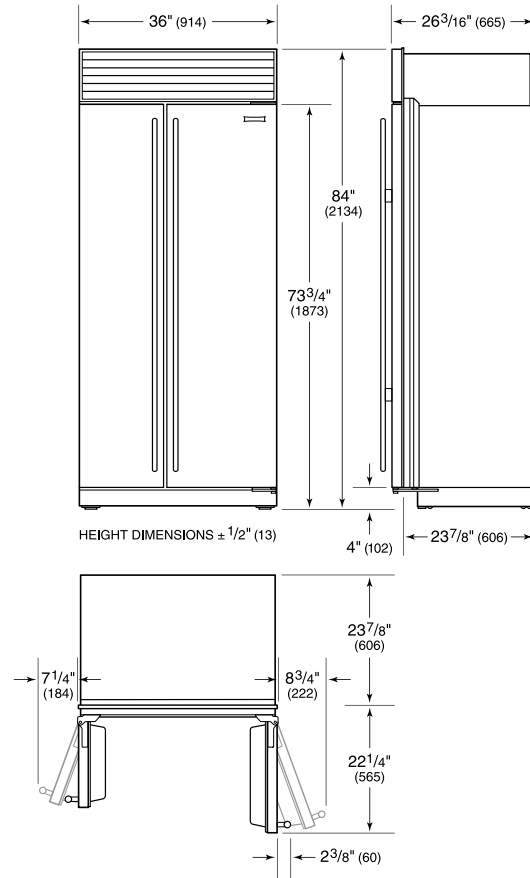
**NOTE:** Dimensions in parenthesis are in millimeters unless otherwise specified

**INTERIOR VIEW**

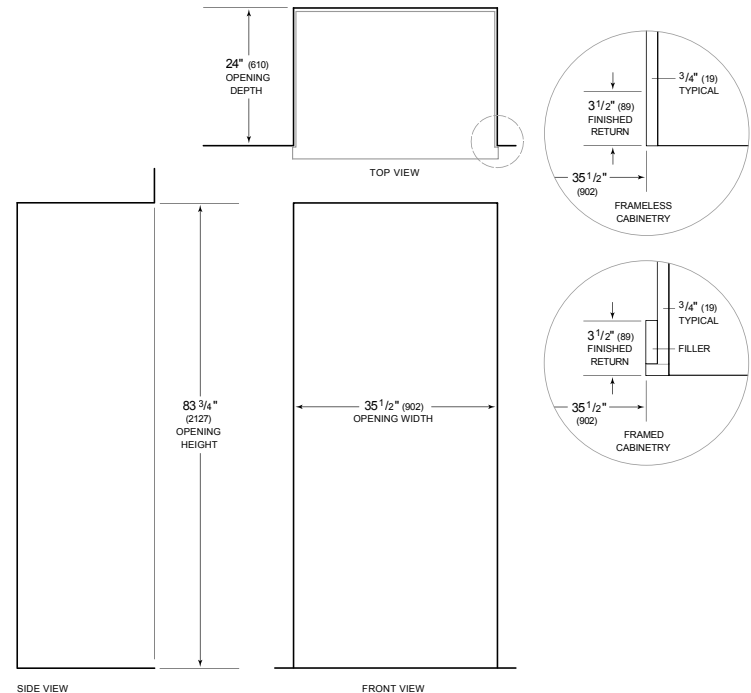


This illustration is intended for interior reference only and may not represent the exterior of the model being specified.

**DIMENSIONS**



**STANDARD INSTALLATION**



**NOTE:** 3 1/2" (89) finished returns will be visible and should be finished to match cabinetry. Shaded line represents profile of unit.