

**ICBBI-42S/S****FEATURES**

- \_\_\_\_\_ Rigorously tested to ensure decades of use
- \_\_\_\_\_ Exceptional support from Customer Care team
- \_\_\_\_\_ LED Lighting for brighter interior
- \_\_\_\_\_ Dual refrigeration keeps food fresher longer
- \_\_\_\_\_ Air purification system fights spoilage, odours
- \_\_\_\_\_ Microprocessor control assures peak performance
- \_\_\_\_\_ Crispers and deli drawers in low-temp, high-humidity zones for optimum freshness
- \_\_\_\_\_ Freshness cards for maximum food preservation
- \_\_\_\_\_ Magnetic door seal system locks in cold air
- \_\_\_\_\_ Automatic ice maker with "max ice" feature
- \_\_\_\_\_ Adjustable shelves for maximum convenience
- \_\_\_\_\_ Water-filtration system reduces contaminants, chlorine taste and odor

**ACCESSORIES**

Grilles for 2108 mm or 2235 mm finished height (2134 mm is standard)

Accessories are available through an authorized dealer.  
For local dealer information, visit [subzero-wolf.com/locator](http://subzero-wolf.com/locator).

**HANDLE OPTIONS****PRO****TUBULAR****PRODUCT DETAILS****REFRIGERATOR**

- 4 Adjustable glass shelves
- 1 High-humidity drawer with divider
- 2 Storage drawers with divider
- 3 Adjustable door shelves
- 2 Stationary door shelves
- Adjustable dairy compartment
- Air purification system

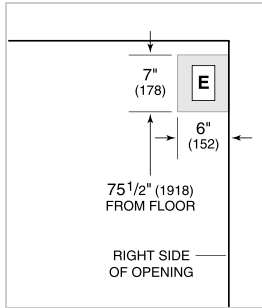
**FREEZER**

- Automatic ice maker
- 2 Adjustable wire shelves
- 3 Storage drawers
- 5 Adjustable door shelves
- Water filtration system

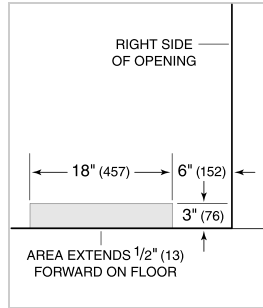
**PRODUCT SPECIFICATIONS**

|                             |                        |
|-----------------------------|------------------------|
| Model                       | ICBBI-42S/S            |
| Refrigerator Gross Capacity | 433 L                  |
| Freezer Gross Capacity      | 237 L                  |
| Electrical Supply           | 220-240 VAC; 50/60 Hz  |
| Electrical Service          | ≤ 4 A                  |
| Receptacle                  | 3-prong grounding-type |

**ELECTRICAL**

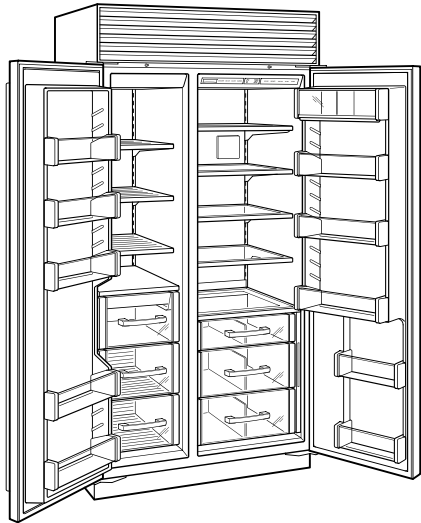


**PLUMBING**



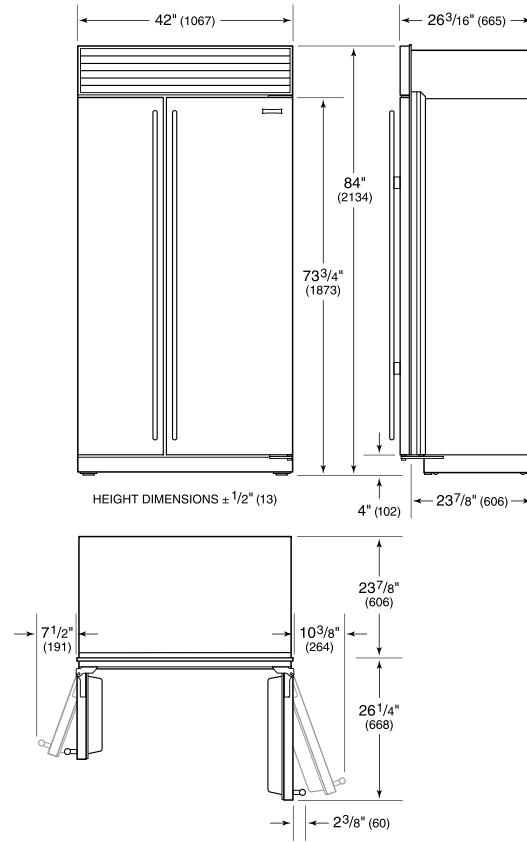
NOTE: Dimensions in parenthesis are in millimeters unless otherwise specified

**INTERIOR VIEW**

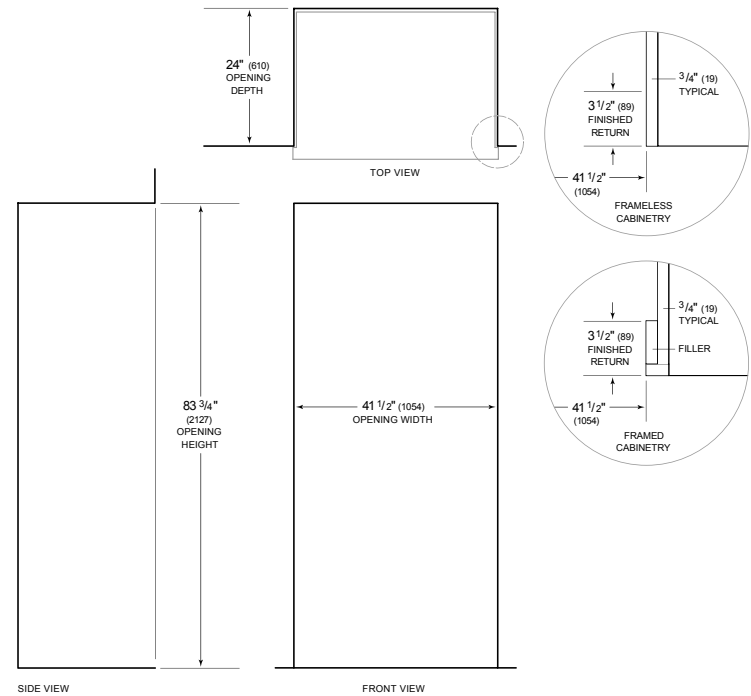


This illustration is intended for interior reference only and may not represent the exterior of the model being specified.

**DIMENSIONS**



**STANDARD INSTALLATION**



NOTE: 3 1/2" (89) finished returns will be visible and should be finished to match cabinetry. Shaded line represents profile of unit.