

ICBID-24RO



FEATURES

Crispers and deli drawers in low-temp, high-humidity zones for optimum freshness

Ready to be fitted with custom panels and handles to blend with cabinetry

Smart-touch controls for streamlined access to more settings

Soft-close doors and drawers

Soft-on LED lights for varying degrees of brightness

Rigorously tested to ensure decades of use

Exceptional support from Customer Care team

Tight seal maintains low-temp, high-humidity for optimum freshness

Weather resistant stainless steel panel accessories protect against UV rays, salt, and moisture

ACCESSORIES

Dual installation kits

Stainless steel front panels with tubular or pro handles

Stainless steel kickplate

Stainless Steel Pro Handles

Stainless Steel Tubular Handles

Accessories are available through an authorized dealer.
For local dealer information, visit subzero-wolf.com/locator.



PRODUCT DETAILS

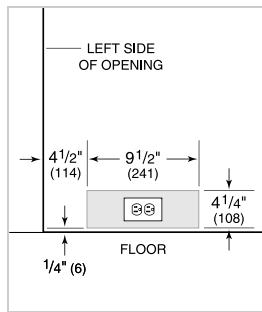
REFRIGERATOR

- 2 refrigerator storage drawers with removable dividers
- Suitable for indoor and outdoor installations

PRODUCT SPECIFICATIONS

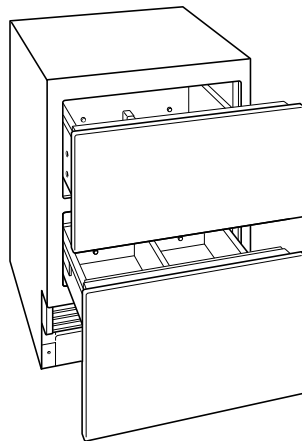
Model	ICBID-24RO
Dimensions	610mmW x 876mmH x 610mmD
Door Clearance	451mm
Drawer Clearance	467mm
Weight	77 kg
Refrigerator Gross Capacity	144 L
Refrigerator Storage Capacity	71 L
Electrical Supply	220-240 VAC; 50/60 Hz
Electrical Service	≤ 2 A
Receptacle	3-prong grounding-type

ELECTRICAL



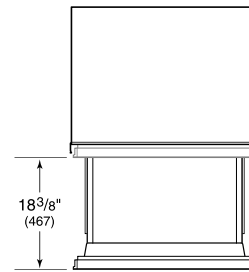
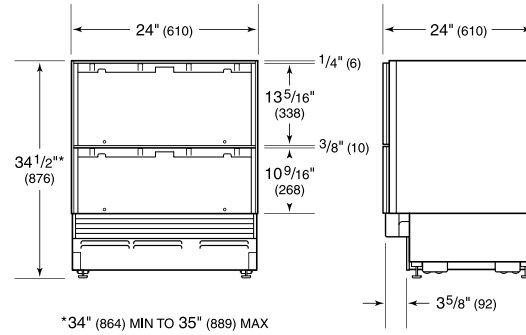
NOTE: Dimensions in parenthesis are in millimeters unless otherwise specified

INTERIOR VIEW

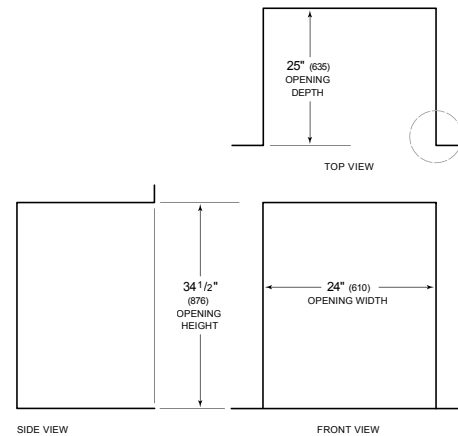


This illustration is intended for interior reference only and may not represent the exterior of the model being specified.

DIMENSIONS



STANDARD INSTALLATION



NOTE: 3 1/2 inch (89 mm) finished returns will be visible and should be finished to match cabinetry

