

ICBID-30CI



FEATURES

Automatic ice maker with "max ice" feature

ACCESSORIES

Egg Container

Crisper cover

Dual installation kits

Stainless steel front panels with tubular or pro handles

Stainless steel kickplate

Stainless Steel Pro Handles

Stainless Steel Tubular Handles

Accessories are available through an authorized dealer.
For local dealer information, visit subzero-wolf.com/locator.



PRODUCT DETAILS

REFRIGERATOR

- 2 Temperature Zones

FREEZER

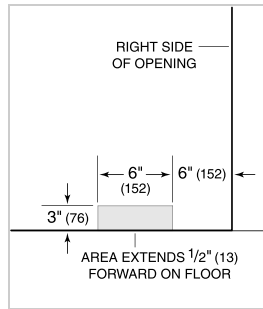
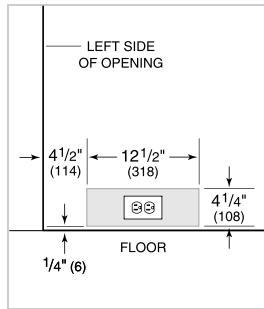
- Automatic ice maker

PRODUCT SPECIFICATIONS

Model	ICBID-30CI
Dimensions	762mmW x 876mmH x 610mmD
Refrigerator Capacity	87 L
Freezer Capacity	58 L
Door Clearance	451mm
Drawer Clearance	451mm
Weight	95 kg
Electrical Supply	220-240 VAC; 50/60 Hz
Electrical Service	≤ 2 A
Plumbing Supply	6.35 mm OD copper line, braided stainless steel or PEX tubing
Plumbing Pressure	2.4-8.3 bar
Receptacle	3-prong grounding-type

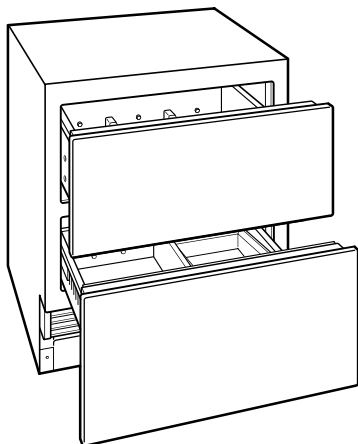
ELECTRICAL

PLUMBING



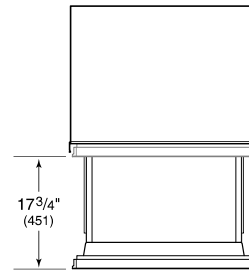
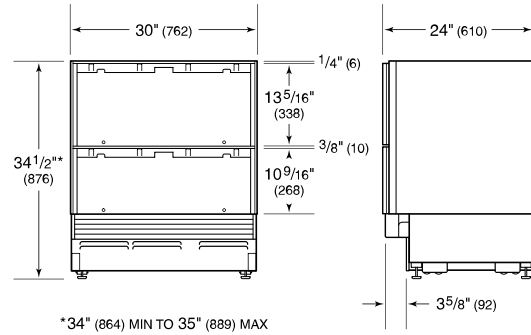
NOTE: Dimensions in parenthesis are in millimeters unless otherwise specified

INTERIOR VIEW

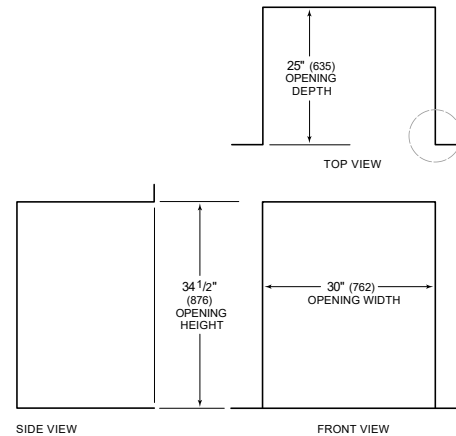


This illustration is intended for interior reference only and may not represent the exterior of the model being specified.

DIMENSIONS



STANDARD INSTALLATION



NOTE: 3 1/2" (89) finished returns will be visible and should be finished to match cabinetry

