

ICBID-30FI



## FEATURES

Ready to be fitted with custom panels and handles to blend with cabinetry

Yields ice automatically; activate "max ice" mode to temporarily increase ice production

Smart-touch controls for streamlined access to more settings

Open and close doors silently with soft-close technology

Control brightness with soft-on LED lighting

## ACCESSORIES

Dual Installation Kit

Reduced toe kick divider for toe kicks from 5 cm to 10 cm

Stainless steel front panels with tubular or pro handles

Stainless Steel Pro Handles

Stainless Steel Tubular Handles

Dual installation kits

Accessories are available through an authorized dealer.  
For local dealer information, visit [subzero-wolf.com/locator](https://subzero-wolf.com/locator).



## PRODUCT DETAILS

### FREEZER

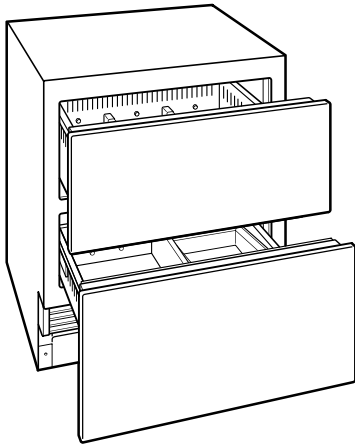
- Automatic ice maker
- Removable ice container

## PRODUCT SPECIFICATIONS

Model	ICBID-30FI
Dimensions	762mmW x 876mmH x 610mmD
Freezer Capacity	145 L
Weight	95 kg
Electrical Supply	220-240 VAC; 50/60 Hz
Electrical Service	≤ 2 A
Receptacle	3-prong grounding-type

**NOTE:** Dimensions in parenthesis are in millimeters unless otherwise specified

## INTERIOR VIEW



This illustration is intended for interior reference only and may not represent the exterior of the model being specified.

## DIMENSIONS

