

ICB648PRO



FEATURES

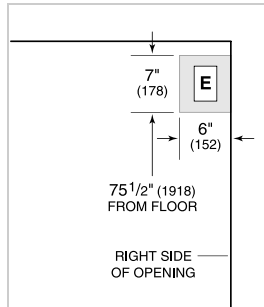
- Over 900 L of storage (558 L refrigerator, 367 L freezer)
- Dual refrigeration, plus a third evaporator dedicated just to the roomy crisper drawers
- Microprocessor control for peak performance
- Stainless steel construction for decades of use
- Adjustable shelves and dividers for flexible organization
- Automatic ice maker with advanced water filtration system
- "Soft bright" interior lighting for superior visibility
- Rigorously tested to ensure decades of use
- Exceptional support from Customer Care team
- Easy-sliding bins
- Tough-and-glide crisper drawer seals tight
- Auto-close door for maximum refrigeration
- Exterior temperature display for easy reading
- Flip-up grille for easy maintenance access



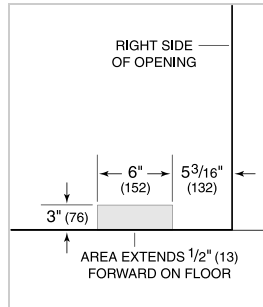
PRODUCT SPECIFICATIONS

Model	ICB648PRO
Dimensions	1219mmW x 2134mmH x 610mmD
Door Clearance	781mm
Weight	390 kg
Refrigerator Gross Capacity	558 L
Refrigerator Storage Capacity	476 L
Freezer Gross Capacity	367 L
Freezer Storage Capacity	298 L
Electrical Supply	220-240 VAC; 50/60 Hz
Electrical Service	3 A
Receptacle	3-prong grounding-type

ELECTRICAL



PLUMBING



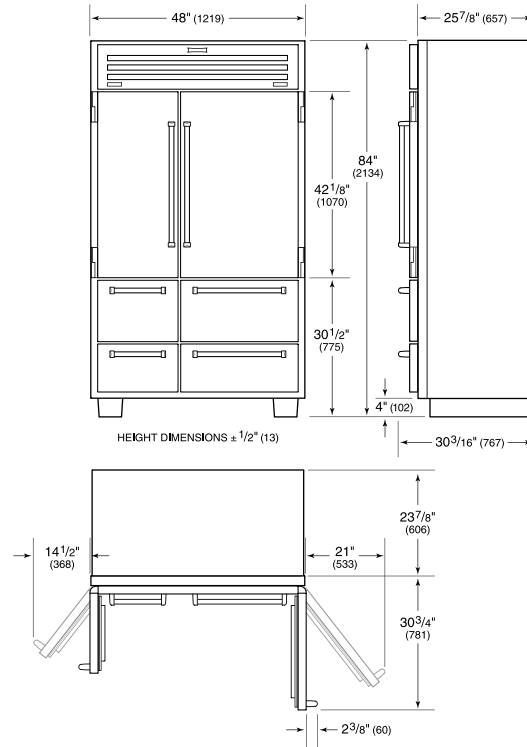
NOTE: Dimensions in parenthesis are in millimeters unless otherwise specified

INTERIOR VIEW

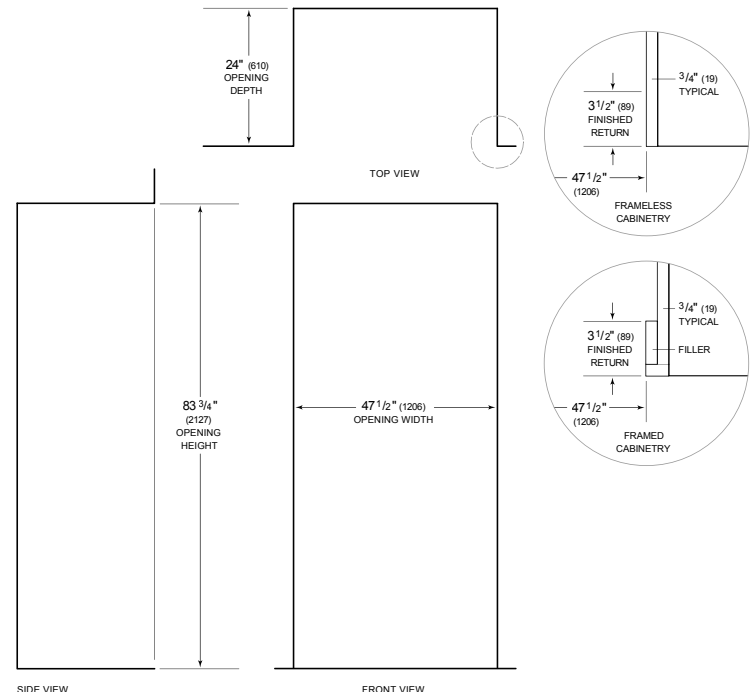


This illustration is intended for interior reference only and may not represent the exterior of the model being specified.

DIMENSIONS



STANDARD INSTALLATION



NOTE: 3 1/2" (89) finished returns will be visible and should be finished to match cabinetry