

ICBUW-24/O



FEATURES

Rigorously tested in our U.S. manufacturing facilities to ensure decades of use

Exceptional support from Customer Care team

Two independent temperature zones hold reds and whites at proper serving temperature

Dual evaporators for constant, moderate humidity so corks don't dry out

Textured roller-glide shelves for access without agitating wine

UV-resistant glass door protects against premature wine aging

Intuitive control panel keeps temps within one degree of set point

Brighter LED lighting makes finding bottles easy

Inventory tile system for better organization

Star-K compliant

Panel ready for your custom cabinetry

ACCESSORIES

Stainless steel pro handles

Stainless steel tubular handles

Accessories are available through an authorized dealer.
For local dealer information, visit subzero-wolf.com/locator.



HANDLE ACCESSORIES

PRO



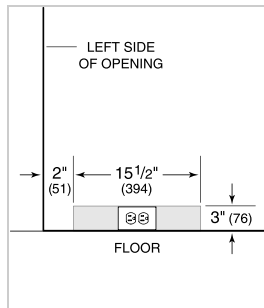
TUBULAR



PRODUCT SPECIFICATIONS

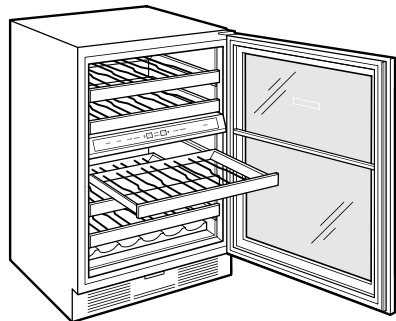
Model	ICBUW-24/O
Dimensions	606mmW x 864mmH x 610mmD
Door Clearance	645mm
Weight	88 kg
Electrical Supply	220-240 VAC; 50/60 Hz
Electrical Service	≤ 2 A
Wine Storage Capacity	46 Bottles
Receptacle	3-prong grounding-type

ELECTRICAL



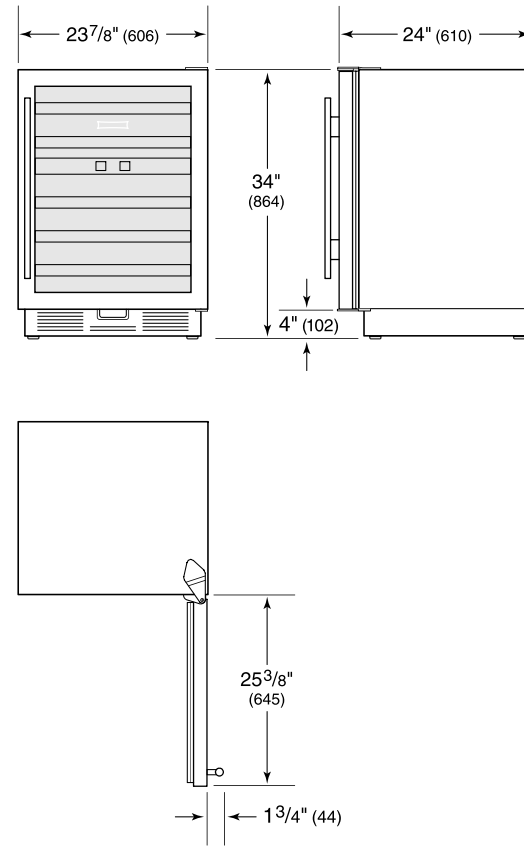
NOTE: Dimensions in parenthesis are in millimeters unless otherwise specified

INTERIOR VIEW

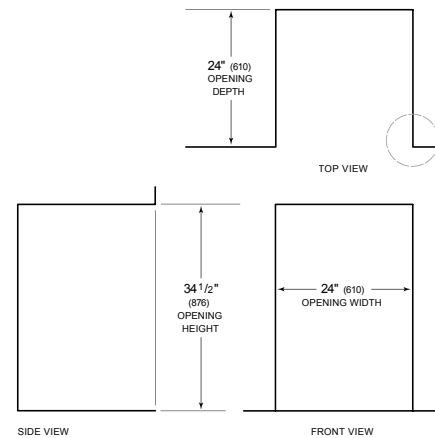


This illustration is intended for interior reference only and may not represent the exterior of the model being specified.

DIMENSIONS



STANDARD INSTALLATION



NOTE: 3 1/2" (89) finished returns will be visible and should be finished to match cabin

