

ICBUW-24/S



FEATURES

- Rigorously tested to ensure decades of use
- Exceptional support from Customer Care team
- Two independent temperature zones hold reds and whites at proper serving temperature
- Dual evaporators for constant, moderate humidity so corks don't dry out
- Textured roller-glide shelves for access without agitating wine
- UV-resistant glass door protects against premature wine aging
- Intuitive control panel keeps temps within one degree of set point
- Brighter LED lighting makes finding bottles easy
- Inventory tile system for better organization
- Star-K compliant
- Stainless steel for a classic Sub-Zero look



HANDLE OPTIONS

PRO



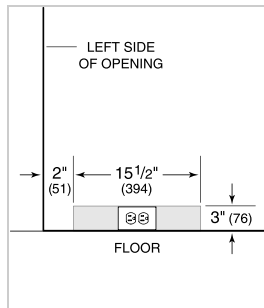
TUBULAR



PRODUCT-SPECIFICATIONS

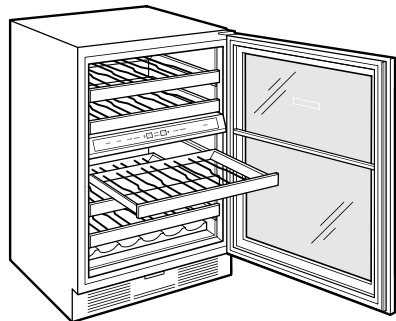
model	ICBUW-24/S
dimensions	606mmW x 864mmH x 610mmD
door-clearance	645mm
weight	88 kg
electrical-supply	220-240 VAC; 50/60 Hz
electrical-service	≤ 2 A
wine-storage-capacity	46 Bottles
receptacle	3-prong grounding-type

ELECTRICAL



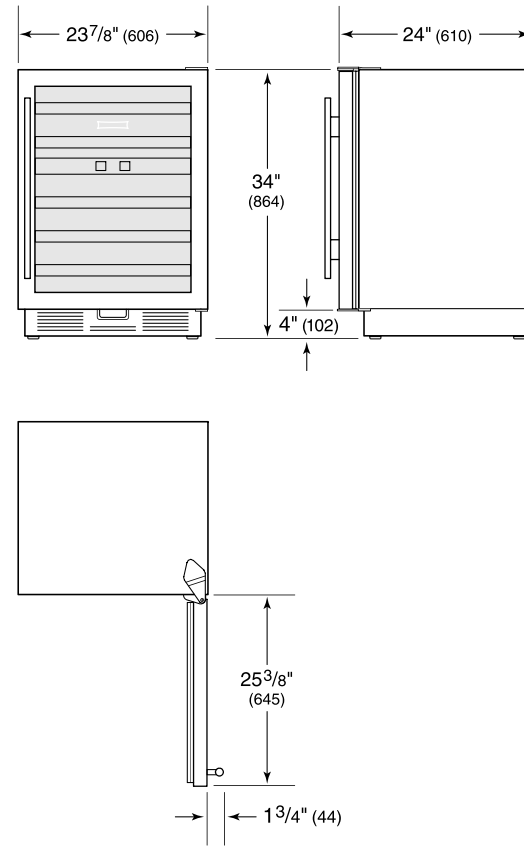
NOTE: Dimensions in parenthesis are in millimeters unless otherwise specified

INTERIOR-VIEW

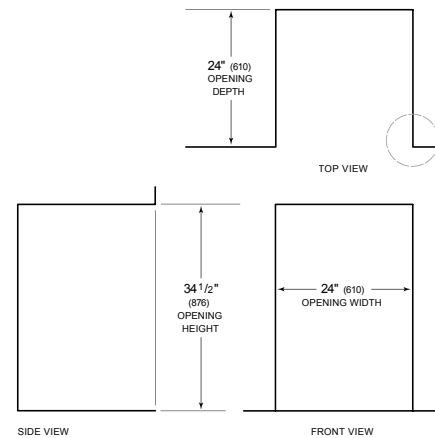


This illustration is intended for interior reference only and may not represent the exterior of the model being specified.

DIMENSIONS



STANDARD INSTALLATION



NOTE: 3 1/2" (89) finished returns will be visible and should be finished to match cabin

