

ICBDEU2450W



FEATURES

42-bottle capacity

Fully customizable exterior—accepts custom panels for an integrated look within cabinetry or stainless-steel accessory panels and handles to coordinate with other Sub-Zero, Wolf, and Cove appliances

Seamlessly integrating anywhere, undercounter wine storage adds comfort to your master suite, creates a corner for libations in the study—the options are endless

Intuitive, touch control panel provides ergonomic, convenient access to settings

Store reds and whites in separate temperature zones that keep wines at proper serving temperatures, within one degree of setpoint

Full-extension wine racks provide easy access to standard-size bottles, half bottles, and magnums without agitating others

Dual evaporators maintain constant, moderate humidity so corks do not dry out

UV-resistant glass door shields wine from harmful light

Soft-on LED lighting fully illuminates the interior when the door is open and can be adjusted to four unique stand-by accent lighting settings

Inventory tile system aids collection organization

ACCESSORIES

Dual Install Kit - Handle-to-Drawer

Dual Install Kit - Handle-to-Handle

Wine Inventory Tiles

Stainless Steel Pro Handles

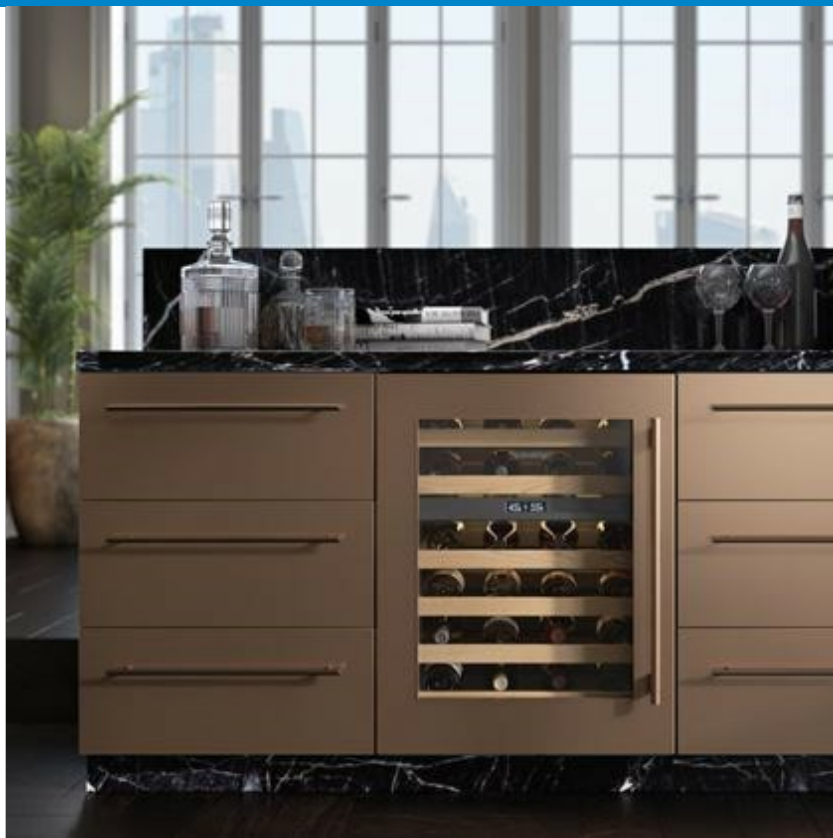
Stainless Steel Tubular Handles

Stainless Steel Glass Door Panels

Undercounter Solid Overlay Door

Stainless Steel Dual Kickplates

Accessories are available through an authorized dealer.
For local dealer information, visit subzero-wolf.com/locator.



HANDLE ACCESSORIES

PRO



TUBULAR

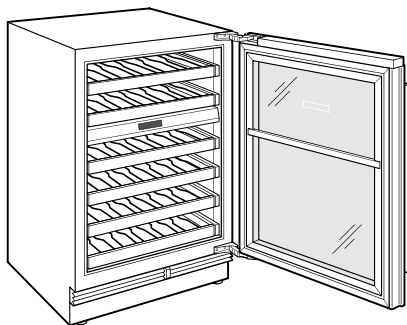


PRODUCT SPECIFICATIONS

Model	ICBDEU2450W
Dimensions	610mmW x 876mmH x 587mmD
Weight	88 kg
Electrical Supply	220-240 VAC, 50/60 Hz
Electrical Service	≤ 2 A
Wine Storage Capacity	42 Bottles
Receptacle	grounding-type

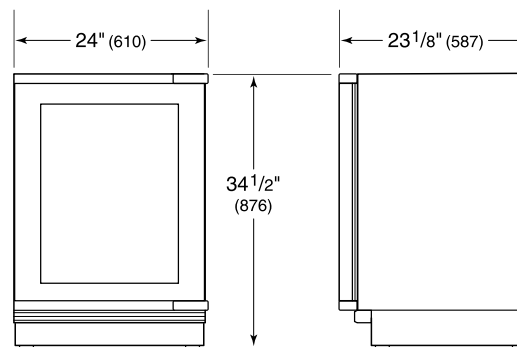
NOTE: Dimensions in parenthesis are in millimeters unless otherwise specified

INTERIOR VIEW



This illustration is intended for interior reference only and may not represent the exterior of the model being specified.

DIMENSIONS



HEIGHT DIMENSIONS ± 1/2" (13)

