

## ICBCSO3050PM/S/P

### FEATURES

The elegant, modern aesthetics pair perfectly with a full suite of similarly styled Sub-Zero and Wolf appliances

Full-colour touchscreen simplifies use

Save up to 50 personalised favorite recipe presets

Cooking modes include Steam, Convection, Broil, Slow Roast

Oven features a 1750-watt recessed broil element with multiple settings

68 liter oven cavity allows multiple dishes to be placed side by side at once

1889-watt dual convection system ensures even, multi-rack baking and consistent results

Three full-extension rack positions and one standard position allow easy access and increased cooking flexibility

1.2-liter tank holds enough water for 2 hours of uninterrupted steam cooking

The temperature probe alerts you when your dish has reached the desired temperature

### ACCESSORIES

Broiler Rack

Descaling Solution

Enameled Broil Pan

Perforated Pan - 12 3/4" x 1 1/2" x 7"

Perforated Pan - 24 3/4" x 1 3/8" x 14 1/2"

Solid Pan - 12 3/4" x 1 1/2" x 7"

Solid Pan - 24 3/4" x 1 3/8" x 14 1/2"

Standard Oven Rack

Temperature Probe

Accessories available through an authorized dealer.

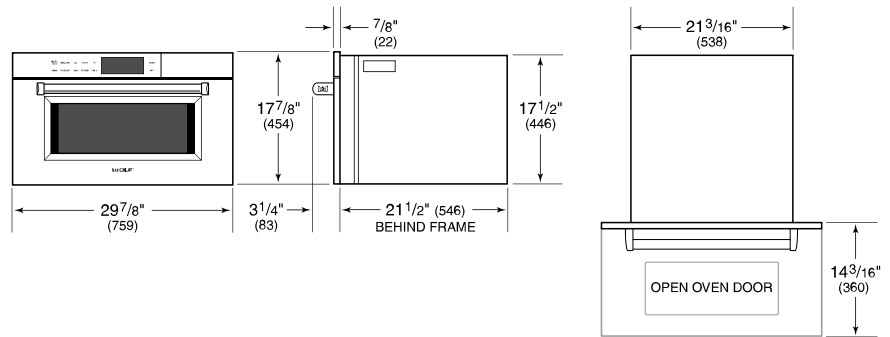
For local dealer information, visit [subzero-wolf.com/locator](https://subzero-wolf.com/locator).



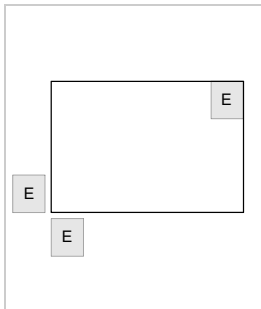
**PRODUCT SPECIFICATIONS**

Model	ICBCSO3050PM/S/P
Dimensions	759mmW x 454mmH x 572mmD
Oven Interior Dimensions	642mmW x 273mmH x 385mmD
Overall Capacity	68 L
Usable Capacity	51 L
Door Clearance	360mm
Electrical Supply	220-240 VAC, 50/60 Hz
Electrical Service	20 amp dedicated circuit
Conduit Length	1.2 Millimeters

**DIMENSIONS**



**ELECTRICAL**



**NOTE:** Dimensions in parenthesis are in millimeters unless otherwise specified