

ICBCSOP2450TE/S/T

FEATURES

The elegant, modern aesthetics pair perfectly with a full suite of similarly styled Sub-Zero and Wolf appliances

Plumbed and non-plumbed options for maximum installation flexibility

Full-colour touchscreen simplifies use

Save up to 50 personalised favorite recipe presets

Cooking modes include Steam, Convection, Broil, Slow Roast

Oven features a 1750-watt recessed broil element with multiple settings

48 liter oven cavity provides enough space to prepare multiple dishes at once or a 6.8 kg turkey

1889-watt single convection system maintains heat and airflow to eliminate cold spots

Three full-extension rack positions and one standard position allow easy access and increased cooking flexibility

The temperature probe alerts you when your dish has reached the desired temperature

ACCESSORIES

Broiler Rack

Descaling Solution

Enameled Broiler Pan

Perforated Pan - 17 3/4" x 1 1/4" x 15"

Pro Handle

Solid Pan - 12 3/4" x 1 1/2" x 7"

Solid Pan - 17 3/4" x 1 1/4" x 15"

Solid Pan - 24 3/4" x 1 3/8" x 14 1/2"

Standard Oven Rack

Temperature Probe

Accessories available through an authorized dealer.

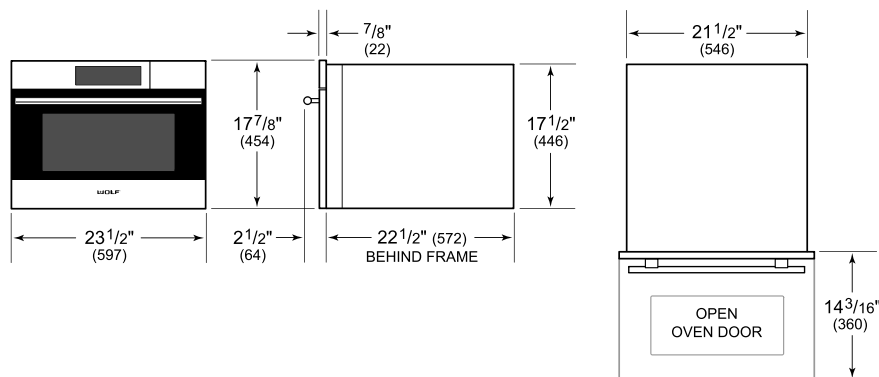
For local dealer information, visit subzero-wolf.com/locator.



PRODUCT SPECIFICATIONS

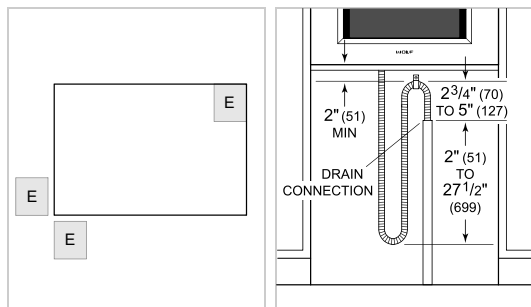
Model	ICBCSOP2450TE/S/T
Dimensions	597mmW x 454mmH x 572mmD
Oven Interior Dimensions	445mmW x 273mmH x 384mmD
Overall Capacity	48 L
Usable Capacity	34 L
Door Clearance	360mm
Weight	91 lbs
Electrical Supply	220-240 VAC, 50/60 Hz
Electrical Service	20 amp dedicated circuit
Plumbing Supply	2 m braided tubing with 3/8" female compression fitting
Plumbing Pressure	0.1–1.0 MPa
Conduit Length	1.2 Milimeters

DIMENSIONS



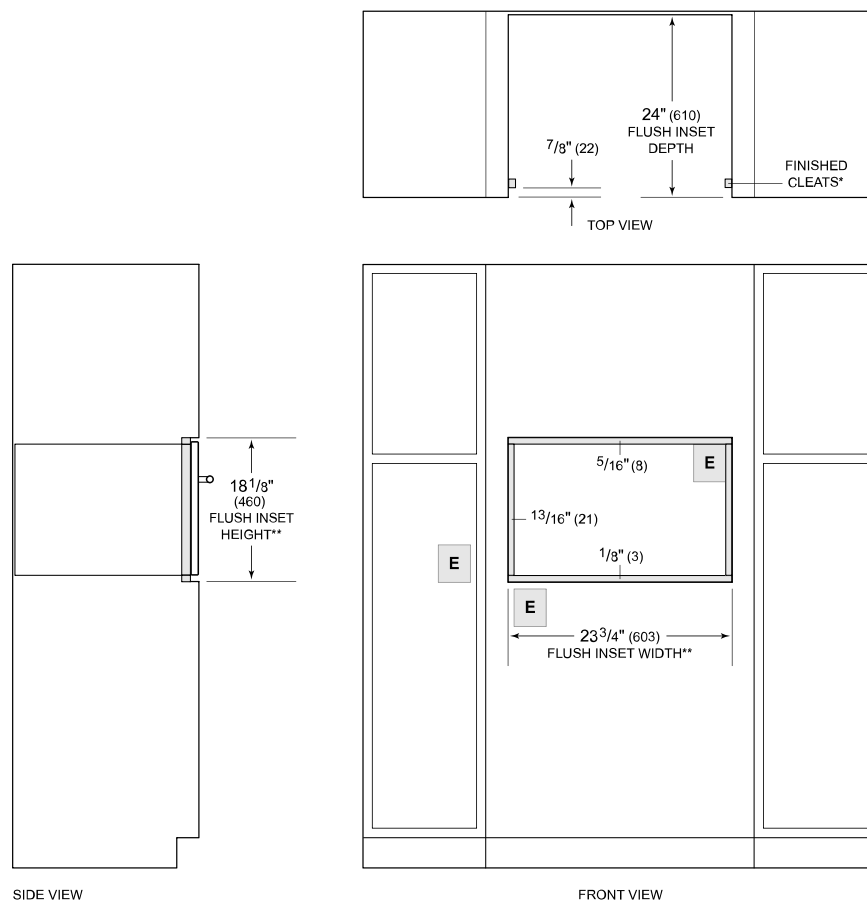
ELECTRICAL

PLUMBING



NOTE: Dimensions in parenthesis are in millimeters unless otherwise specified

FLUSH INSTALLATION



*Will be visible and should be finished to match cabinetry.

**Dimension provides minimum reveals.

NOTE: Location of electrical supply within opening may require additional cabinet depth.