

ICBCSO30CM/B

FEATURES

Rigorously tested

Exceptional support from our Customer Care team

Gourmet mode adjusts time, temperature, humidity for perfect results

Larger than similar units, can make multiple dishes at once

Program in when you want your dish to be ready

Easy-access water tank provides 90 minutes of steam cooking

Temperature probe cooks to ideal doneness and lets you know when it's ready

ACCESSORIES

826855

Descaling Solution

Enameled Broil Pan - Legacy

Full Extension Rack Guides

Perforated Pan - 12 3/4" x 1 1/2" x 7"

Perforated Pan - 17 3/4" x 1 1/4" x 15"

Perforated Pan - 17 3/4" x 1 1/4" x 15" - Legacy

Perforated Pan 12 3/4" x 2 1/2" x 7"

Solid Pan - 12 3/4" x 1 1/2" x 7"

Solid Pan - 17 3/4" x 1 1/4" x 15"

Solid Pan - 17 3/4" x 1 1/4" x 15" - Legacy

Solid Pan 12 3/4" x 1 1/4" x 14" - Legacy

Standard Oven Rack

Standard Oven Rack - Legacy

Temperature Probe

Accessories available through an authorized dealer.

For local dealer information, visit subzero-wolf.com/locator.

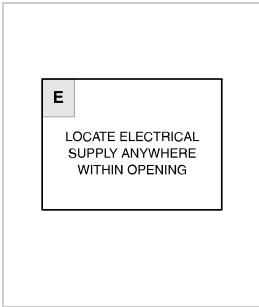
76 CM M SERIES CONTEMPORARY BLACK GLASS CONVECTION STEAM OVEN WITH RETRACTABLE HANDLE



PRODUCT SPECIFICATIONS

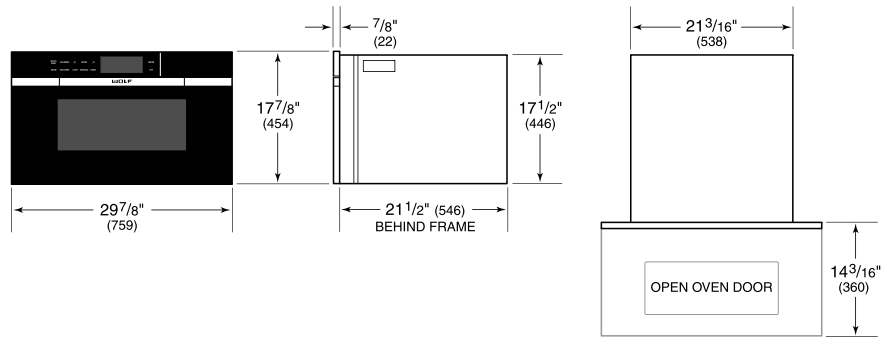
Model	ICBCSO30CM/B
Dimensions	759mmW x 454mmH x 546mmD
Oven Interior Dimensions	17 7/8"W x 11"H x 15 3/4"D
Overall Capacity	1.8 cu. ft.
Door Clearance	14 3/16"
Weight	91 lbs
Electrical Supply	220-240 VAC, 50/60 Hz
Electrical Service	20 amp dedicated circuit
Power Cord Length	6 Feet

ELECTRICAL

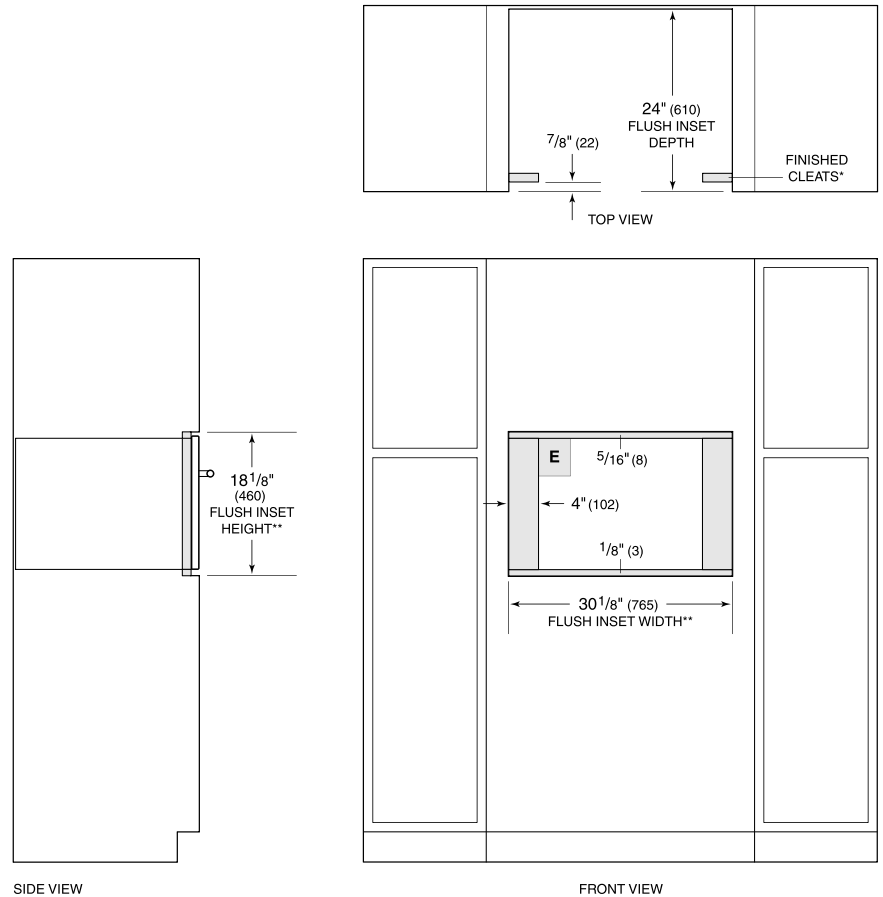


NOTE: Dimensions in parenthesis are in millimeters unless otherwise specified

DIMENSIONS



FLUSH INSTALLATION



*Will be visible and should be finished to match cabinetry.
 **Dimension provides minimum reveals.