

**ICBCSO30CM/S**

**FEATURES**

Rigorously tested for decades of use

---

Exceptional support from our Customer Care team

---

Gourmet mode adjusts time, temperature, humidity for perfect results

---

Larger than similar units, can make multiple dishes at once

---

Program in when you want your dish to be ready

---

Easy-access water tank provides 90 minutes of steam cooking

---

Temperature probe cooks to ideal doneness and lets you know when it's ready



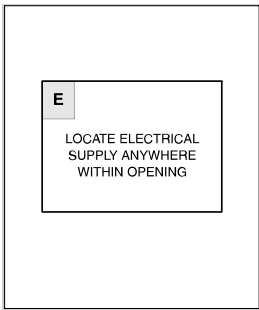
# 76 CM M SERIES CONTEMPORARY STAINLESS STEEL CONVECTION STEAM OVEN WITH RETRACTABLE HANDLE



## PRODUCT SPECIFICATIONS

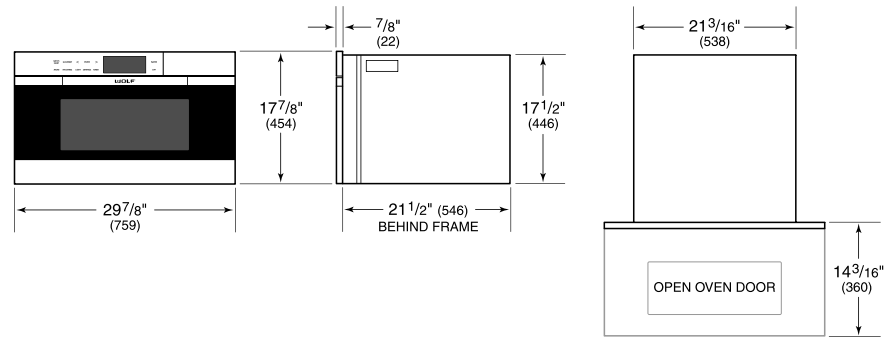
Model	ICBCSO30CM/S
Dimensions	759mmW x 454mmH x 546mmD
Oven Interior Dimensions	454mmW x 279mmH x 400mmD
Capacity	51 L
Door Clearance	360mm
Weight	36 kg
Electrical Supply	220-240 VAC; 50 Hz
Electrical Service	3800 W

## ELECTRICAL

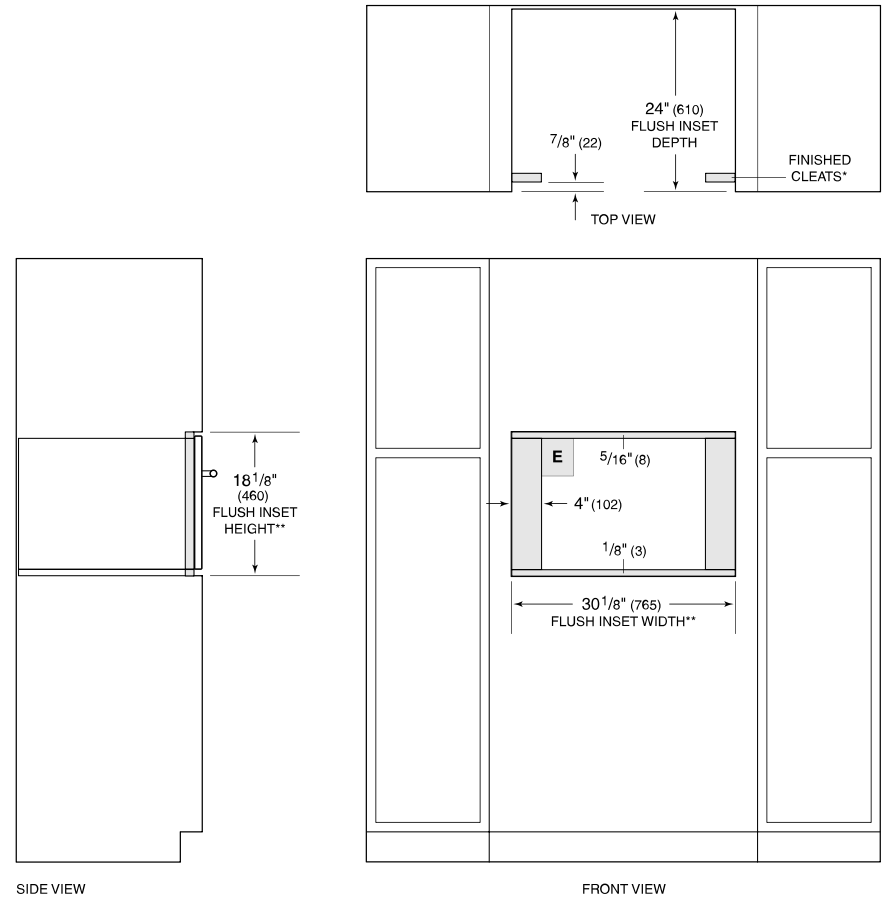


**NOTE:** Dimensions in parenthesis are in millimeters unless otherwise specified

## DIMENSIONS



## FLUSH INSTALLATION



\*Will be visible and should be finished to match cabinetry.  
 \*\*Dimension provides minimum reveals.