

ICBCSO30PE/S/PH



FEATURES

Larger than similar units, can make multiple dishes at once

Easy-access water tank provides 90 minutes of steam cooking

Temperature probe cooks to ideal doneness and lets you know when it's ready

Program in when you want your dish to be ready

Gourmet mode adjusts time, temperature, humidity for perfect results

Rigorously tested for decades of use

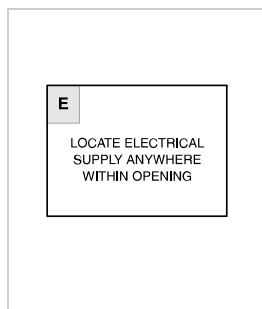
Exceptional support from our Customer Care team



PRODUCT SPECIFICATIONS

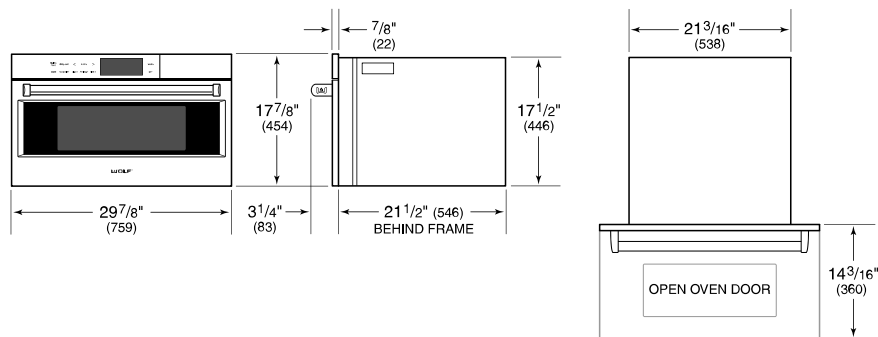
| | |
|--------------------------|--------------------------|
| Model | ICBCSO30PE/S/PH |
| Dimensions | 759mmW x 454mmH x 546mmD |
| Oven Interior Dimensions | 454mmW x 279mmH x 400mmD |
| Capacity | 51 L |
| Door Clearance | 360mm |
| Weight | 36 kg |
| Electrical Supply | 220-240 VAC; 50 Hz |
| Electrical Service | 3800 W |

ELECTRICAL

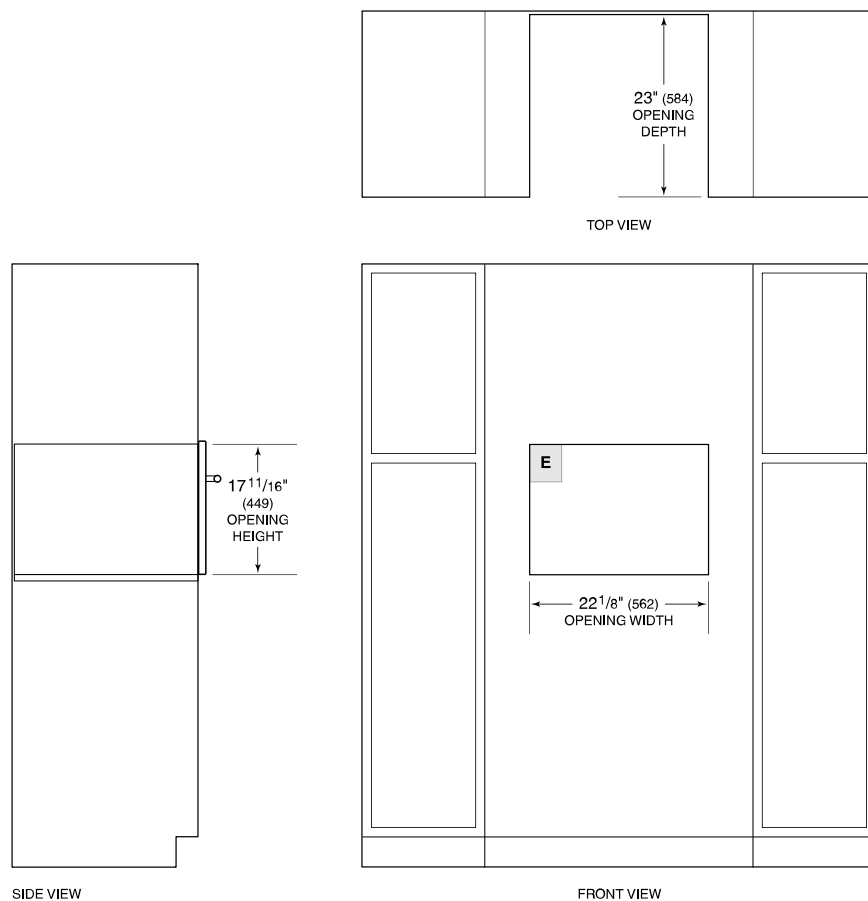


NOTE: Dimensions in parenthesis are in millimeters unless otherwise specified

DIMENSIONS



STANDARD INSTALLATION



SIDE VIEW

FRONT VIEW

NOTE: 24" (610) and 30" (762) models require the same opening dimensions.