

ICBSO2418TE/S/TH



FEATURES

ACCESSORIES

Full-Extension Rack Guides

Pro Handle

Solid Pan - 12 3/4" x 1 1/2" x 7"

Solid Pan - 17 3/4" x 1 1/4" x 15"

Standard Oven Rack

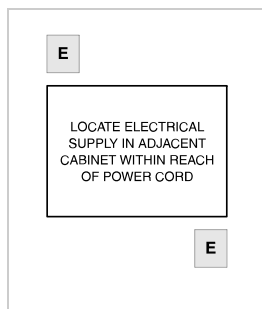
Accessories available through an authorized dealer.
For local dealer information, visit subzero-wolf.com/locator.



PRODUCT SPECIFICATIONS

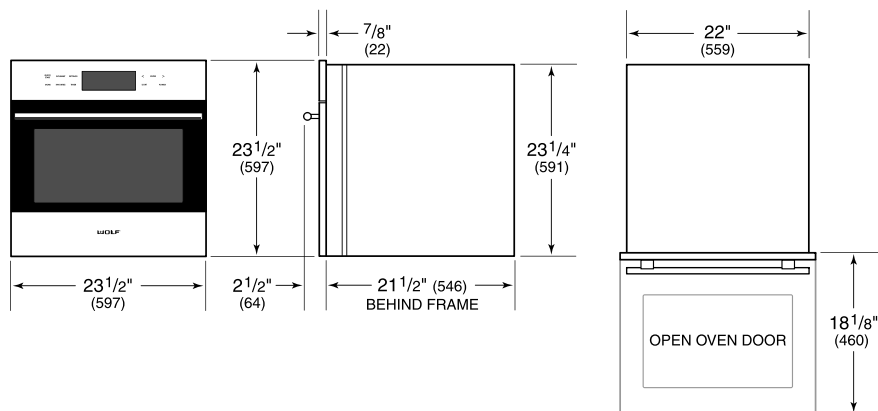
Model	ICBSO2418TE/S/TH
Dimensions	597mmW x 454mmH x 546mmD
Oven 1 Interior Dimensions	454mmW x 279mmH x 400mmD
Overall Capacity	51 L
Usable Capacity	50 L
Door Clearance	360mm
Weight	36 kg
Electrical Supply	240/208 VAC, 60 Hz
Electrical Service	3.4 kW

ELECTRICAL

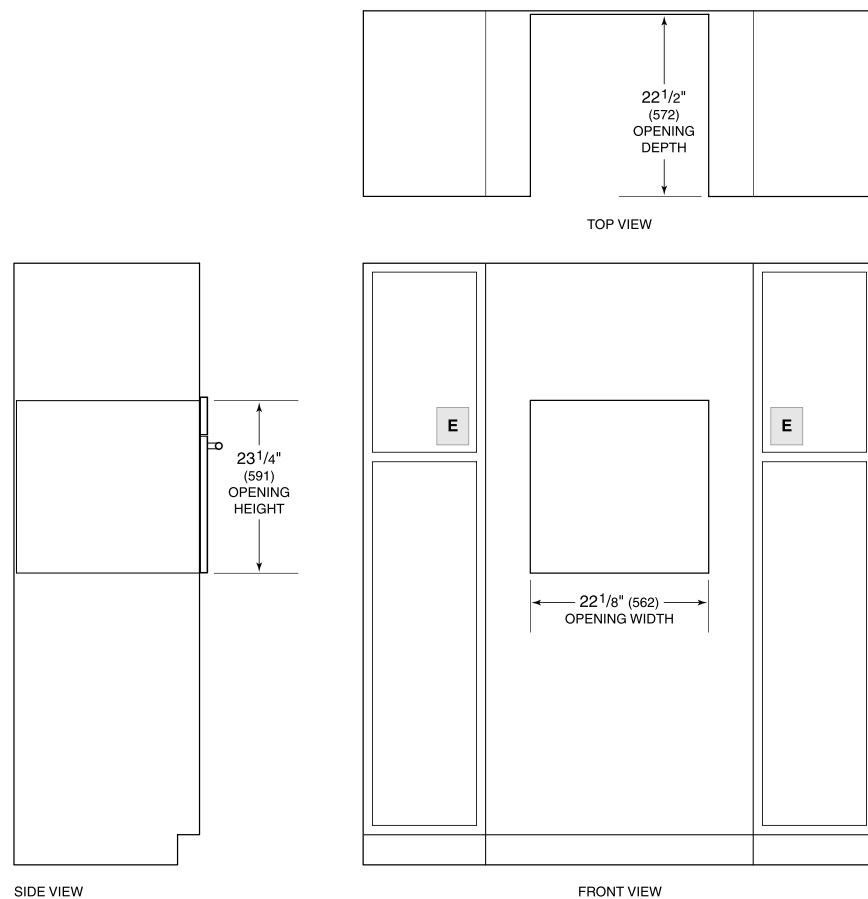


NOTE: Dimensions in parenthesis are in millimeters unless otherwise specified

DIMENSIONS



STANDARD INSTALLATION



SIDE VIEW

FRONT VIEW

NOTE: Electrical supply must be located in adjacent cabinet within 3' (.9 m) of opening.