

**ICBCI365C/B**

**FEATURES**

- 40% faster temperature response than gas or electric
- Can be installed flush with countertop for smooth, continuous surface
- Efficiently transfers heat, because energy is supplied directly to the cookware
- Incredible cooking control, with lightning fast high heat and very low lows
- Magnetic induction technology provides fast and perfectly distributed heat
- Five elements and five bridging options accommodate widest possible variety of pan sizes
- Cookware sensing guards against hot burners being left on
- Cooktop stays relatively cool for added safety and easy cleanup
- Rigorously tested for decades of use
- Exceptional support from our Customer Care team



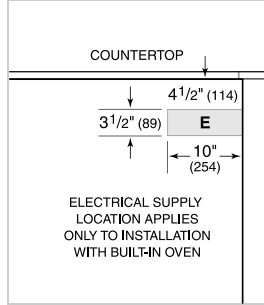
**COOKTOP SPECIFICATIONS**

- 2 - 2100 W Element
- 2 - 2100 W Element with 3000 W Boost
- 1 - 2600 W Element with 3700 W Boost

**PRODUCT SPECIFICATIONS**

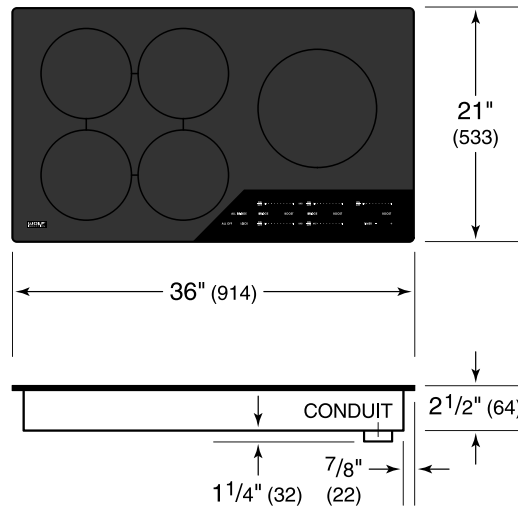
Model	ICBCI365C/B
Dimensions	914mmW x 64mmH x 533mmD
Weight	32 kg
Electrical Supply	220-240 VAC; 50/60 Hz
Electrical Service	11.1 kW

**ELECTRICAL**

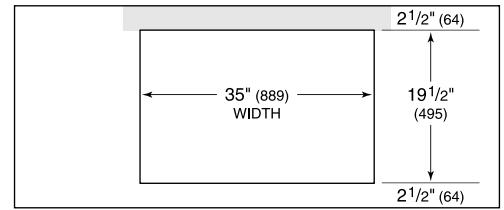


**NOTE:** Dimensions in parenthesis are in millimeters unless otherwise specified

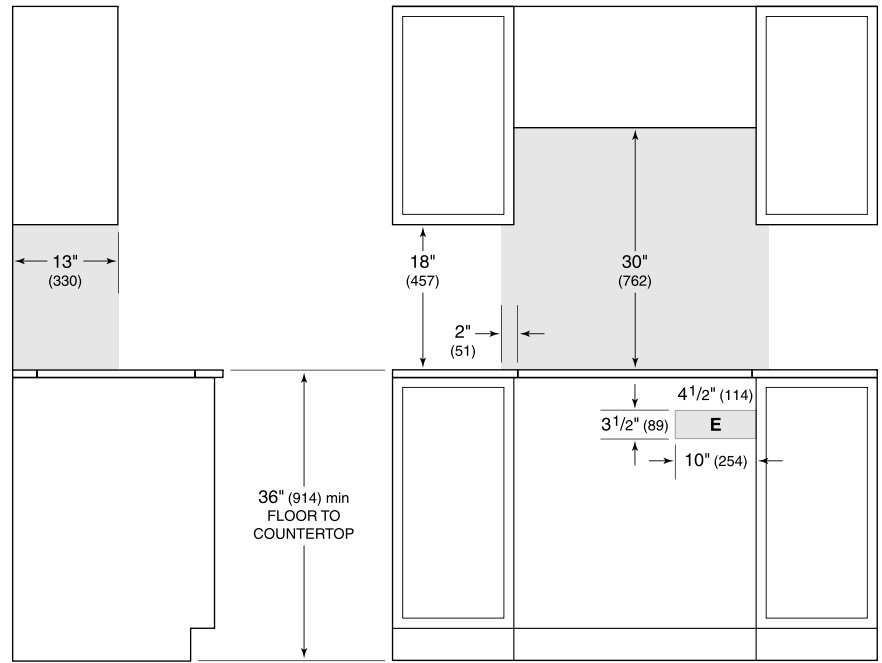
**DIMENSIONS**



**STANDARD INSTALLATION**



COUNTERTOP CUT-OUT



SIDE VIEW

FRONT VIEW

**NOTE:** Shaded area above countertop indicates minimum clearance to combustible surfaces, combustible materials cannot be located within this area. Electrical supply location only applies to installations with built-in oven.