

ICBDO30TM/S/TH



### FEATURES

Advanced Dual VertiCross convection system for faster preheats and consistent cooking across all racks

Gourmet feature has menu of presets that automatically controls cooking of popular meals

Interactive color touchscreen for advanced cooking control

Can be installed flush with surrounding cabinetry for integrated look

Enhanced interior views with triple-pane glass and three halogen lights

145 L capacity to handle multiple dishes at once

10 cooking modes for predictably delicious results (Convection, Roast, Bake, Grill, Convection Roast, Stone, Gourmet, Warm, Proof and Dehydrate)

### ACCESSORIES

30" Broiler Pan

Accessories available through an authorized dealer.

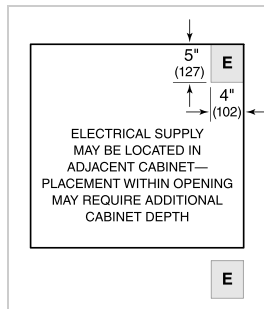
For local dealer information, visit [subzero-wolf.com/locator](http://subzero-wolf.com/locator).



**PRODUCT SPECIFICATIONS**

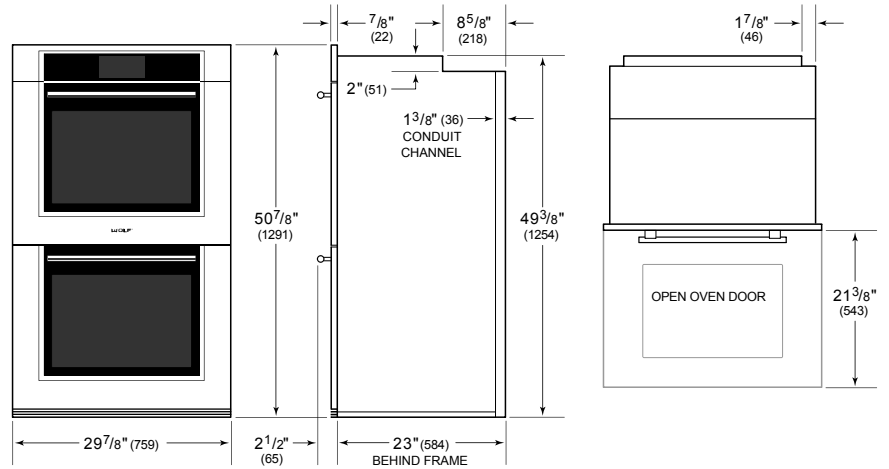
|                            |                           |
|----------------------------|---------------------------|
| Model                      | ICBDO30TM/S/TH            |
| Dimensions                 | 759mmW x 1292mmH x 584mmD |
| Oven 1 Interior Dimensions | 641mmW x 448mmH x 506mmD  |
| Oven 2 Interior Dimensions | 641mmW x 448mmH x 506mmD  |
| Overall Capacity           | 145 L                     |
| Door Clearance             | 543mm                     |
| Weight                     | 211 kg                    |
| Electrical Supply          | 220-240 VAC; 50/60 Hz     |
| Electrical Service         | 8.4-9.6 kW                |

**ELECTRICAL**

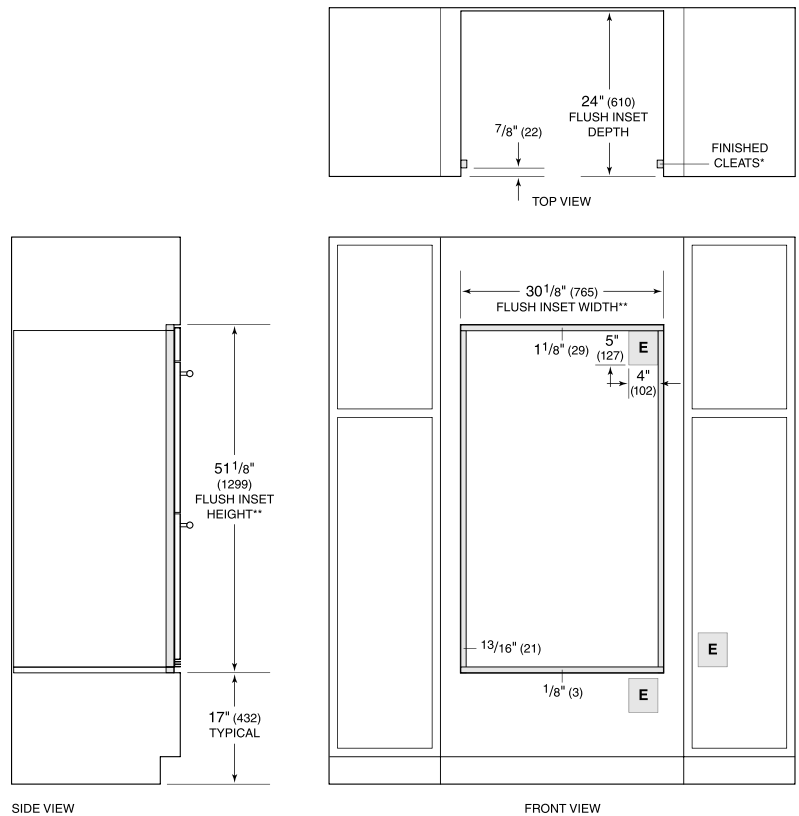


**NOTE:** Dimensions in parenthesis are in millimeters unless otherwise specified

**DIMENSIONS**



**FLUSH INSTALLATION**



\*1" (25) minimum depth. Shaded areas will be visible and should be finished to match cabinetry.  
 \*\*Dimension provides minimum reveals.  
**NOTE:** Location of electrical supply within opening may require additional cabinet depth.