

ICBMDD30CM/B/TH WITH BLACK HANDLE

FEATURES

Integrates into any kitchen

900 watts of power

Quick-start controls for popular items

Gourmet mode cooks automatically from preset recipes

"Keep Warm" mode

Generous 45 litres. capacity

Matches E series ovens, coffee systems, convection steam oven

Rigorously tested for decades of use

Exceptional support from our Customer Care team

ACCESSORIES

Black Handle

Accessories available through an authorized dealer.

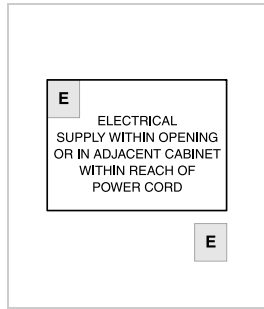
For local dealer information, visit subzero-wolf.com/locator.



PRODUCT SPECIFICATIONS

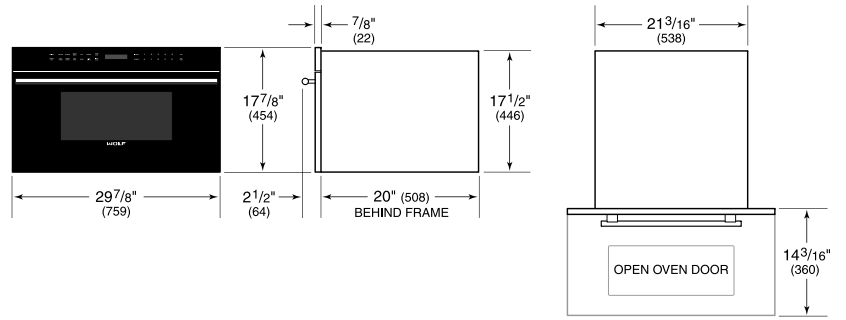
Model	ICBMDD30CM/B/TH with Black Handle
Dimensions	759mmW x 454mmH x 508mmD
Capacity	46 L
Door Clearance	360mm
Weight	36 kg
Electrical Supply	220-240 VAC; 50/60 Hz
Electrical Service	900 W

ELECTRICAL



NOTE: Dimensions in parenthesis are in millimeters unless otherwise specified

DIMENSIONS



STANDARD INSTALLATION

