

ICBMDD30PM/S/PH

FEATURES

Integrates into any kitchen

Matches M series ovens, coffee systems, convection steam oven

900 watts of power

Quick-start controls for popular items

Gourmet mode cooks automatically from preset recipes

"Keep Warm" mode

Generous 45 litres. capacity

Rigorously tested for decades of use

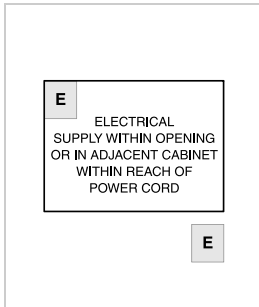
Exceptional support from our Customer Care team



PRODUCT SPECIFICATIONS

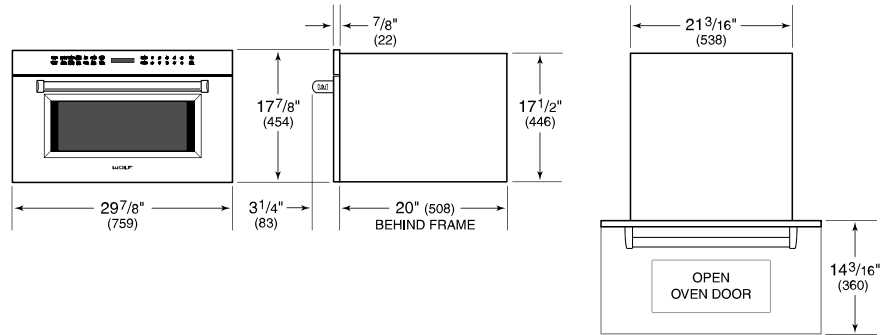
Model	ICBMDD30PM/S/PH
Dimensions	759mmW x 454mmH x 508mmD
Capacity	46 L
Door Clearance	360mm
Weight	36 kg
Electrical Supply	220-240 VAC; 50/60 Hz
Electrical Service	900 W
Receptacle	3-prong grounding-type

ELECTRICAL

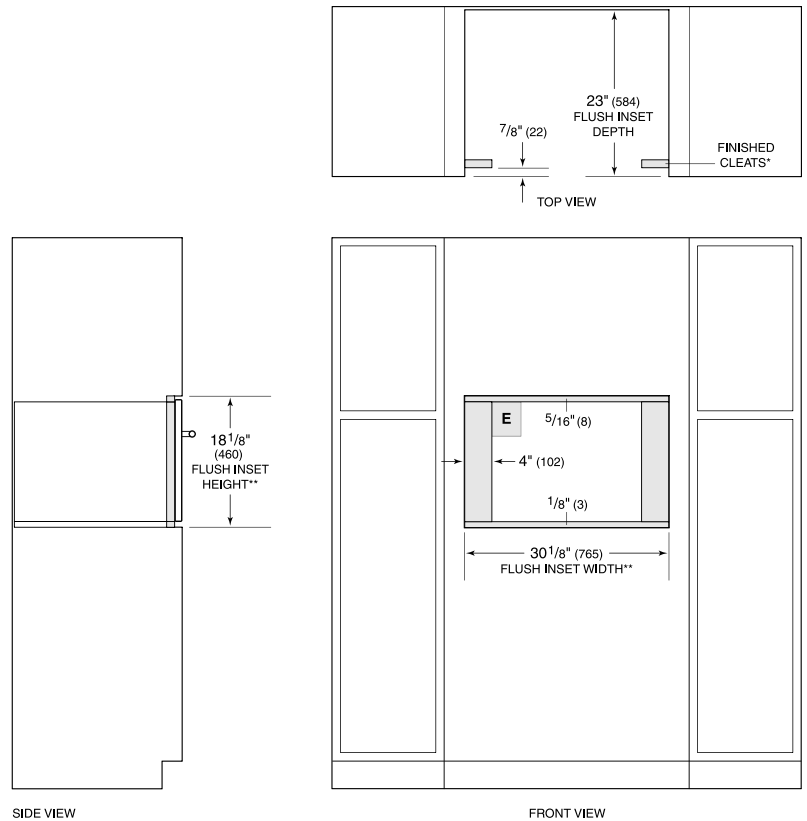


NOTE: Dimensions in parenthesis are in millimeters unless otherwise specified

DIMENSIONS



FLUSH INSTALLATION



*Will be visible and should be finished to match cabinetry.
 **Dimension provides minimum reveals.