

ICBVI45G

FEATURES

Four LED lights with two brightness settings

Front-mounted electronic controls

Telescoping chimney reaches standard ceiling heights

Dishwasher-safe filters

Heavy-duty stainless steel

Powerful blower options

ACCESSORIES

Flue Extension

Recirculating Filters

Recirculating Kit

Remote Control

Internal Blowers

Remote Blowers

Accessories available through an authorized dealer.

For local dealer information, visit subzero-wolf.com/locator.



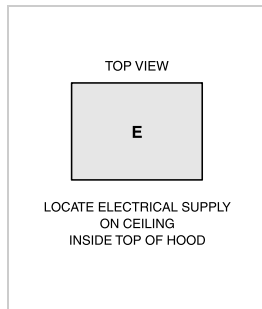
BLOWER OPTIONS

- 900 CMH Internal Blower
- 1528 CMH Remote Blower

PRODUCT SPECIFICATIONS

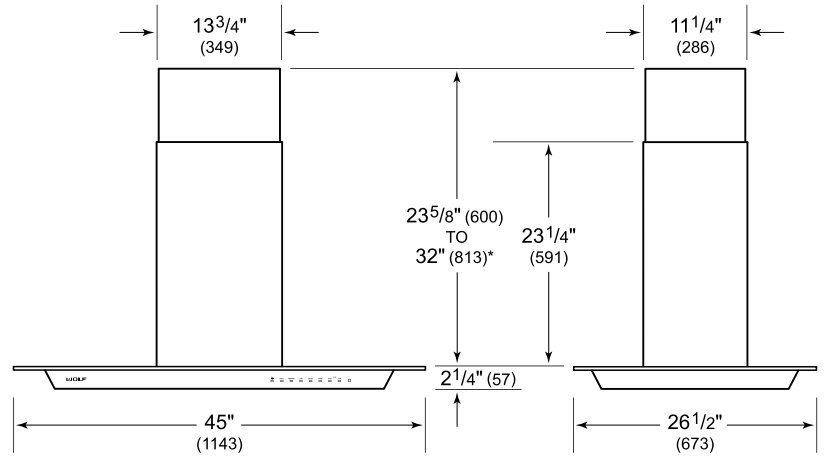
Model	ICBVI45G
Dimensions	1143mmW x 57mmH x 673mmD
Weight	42 kg
Electrical Supply	220-240 VAC, 50/60 Hz
Electrical Service	15 amp dedicated circuit
Discharge Location	Vertical
Discharge Dimensions	150 mm Round
Bottom of Hood to Countertop	762 mm to 914 mm

ELECTRICAL



NOTE: Dimensions in parenthesis are in millimeters unless otherwise specified

DIMENSIONS



*51 1/8" (1299) to 59 1/2" (1511) with accessory flue extension.