

ICBVW45G

FEATURES

Breathe cleaner air and enjoy less greasy residue in your kitchen

Add a contemporary element with low-profile ventilation with glass that adds an artistic look

Adjust as needed with recessed controls that provide a sleeker look, yet maintain ultimate blower control

Matches the same heavy-duty stainless-steel construction, hand-finished hemmed edges, and welded seams of all Sub-Zero and Wolf products

Select from internal or remote blower options (blower required)

Lights your workspace with two LED light bars with two brightness settings

Reach ceiling heights with its telescoping chimney

Minimizes the backward flow of cold air with backdraft transition

ACCESSORIES

Flue Extension

Make-Up Air Damper

Recirculating Filter

Recirculating Kit

Remote Control

Internal Blowers

Remote Blowers

Accessories available through an authorized dealer.
For local dealer information, visit subzero-wolf.com/locator.



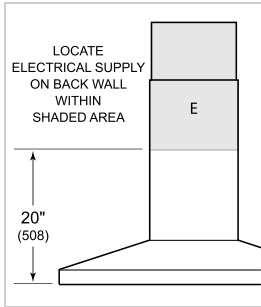
BLOWER OPTIONS

- 900 CMH Internal Blower
- 1528 CMH Remote Blower

PRODUCT SPECIFICATIONS

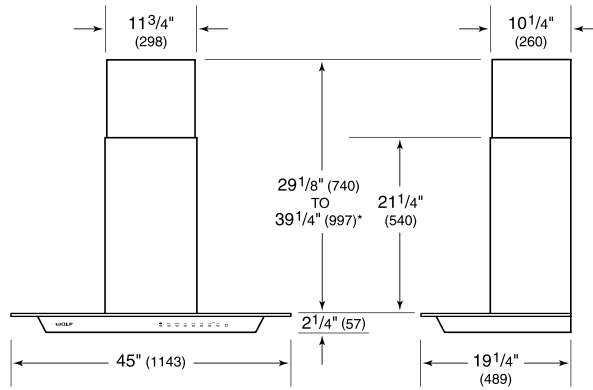
Model	ICBWW45G
Dimensions	1143mmW x 57mmH x 489mmD
Electrical Supply	220-240 VAC, 50/60 Hz
Electrical Service	15 amp dedicated circuit
Discharge Dimensions	150 mm Round
Bottom of Hood to Countertop	762 mm to 914 mm

ELECTRICAL



NOTE: Dimensions in parenthesis are in millimeters unless otherwise specified

DIMENSIONS



*49 1/8" (1248) to 59 1/4" (1505) with accessory flue extension.